

HTA 150.0, 160.0

STIHL



2 - 43 Instruction Manual
43 - 91 Manual de instrucciones

! WARNING

Read Instruction Manual thoroughly before use and follow all safety precautions – improper use can cause serious or fatal injury.

! ADVERTENCIA

Antes de usar la máquina lea y siga todas las precauciones de seguridad dadas en el manual de instrucciones – el uso incorrecto puede causar lesiones graves o mortales.



Contents

1	Introduction.....	2
2	Guide to Using this Manual.....	2
3	Main Parts.....	3
4	Safety Symbols on the Products.....	5
5	General Power Tool Safety Warnings.....	6
6	IMPORTANT SAFETY INSTRUCTIONS....	7
7	Kickback and Other Reactive Forces.....	15
8	Battery Safety.....	16
9	Maintenance, Repair and Storage.....	18
10	Before Starting Work.....	18
11	Charging the Battery.....	19
12	LED Diagnostics and Acoustic Signals....	20
13	STIHL AR Backpack Battery.....	22
14	Assembling the Pole Pruner.....	23
15	Inserting and Removing the Battery.....	28
16	Switching the Pole Pruner On and Off.....	28
17	Checking the Pole Pruner.....	29
18	During Operation.....	30
19	After Finishing Work.....	32
20	Transporting the Pole Pruner and Battery	32
21	Storing the Pole Pruner and Battery.....	33
22	Cleaning.....	34
23	Inspection and Maintenance.....	35
24	Troubleshooting Guide.....	38
25	Specifications.....	39
26	Combinations of Guide Bars and Saw Chains.....	41
27	Approved Harness Combinations.....	41
28	Replacement Parts and Equipment.....	42
29	Disposal.....	42
30	Limited Warranty.....	42
31	Trademarks.....	42
32	Addresses.....	43

1 Introduction

Thank you for your purchase. The information contained in this manual will help you receive maximum performance and satisfaction from your STIHL pole pruner and, if followed, reduce the risk of injury from its use.

SAVE THIS MANUAL!



Because a pole pruner is a high-speed wood-cutting tool with an extended reach, special safety precautions must be observed to reduce the risk of personal injury.



Read this instruction manual thoroughly before use and periodically thereafter. Follow all safety precautions. Careless or improper use of the pole pruner can cause serious or fatal injury.

Observe all applicable federal, state and local safety regulations, standards and ordinances.

Do not lend or rent your pole pruner without this instruction manual. Allow only persons who have the proper training and fully understand the information in this manual to operate the pole pruner.

For further information, or if you do not understand any of the instructions in this manual, please go to www.stihlusa.com or contact your authorized STIHL servicing dealer.

2 Guide to Using this Manual

2.1 Signal Words

This manual contains safety information that requires your special attention. Such information is introduced with the following symbols and signal words:



- Indicates a hazardous situation which, if not avoided, will result in death or serious injury.



- Indicates a hazardous situation which, if not avoided, could result in death or serious injury.

NOTICE

- Indicates a risk of property damage, including damage to the machine or its individual components.

2.2 Symbols in Text

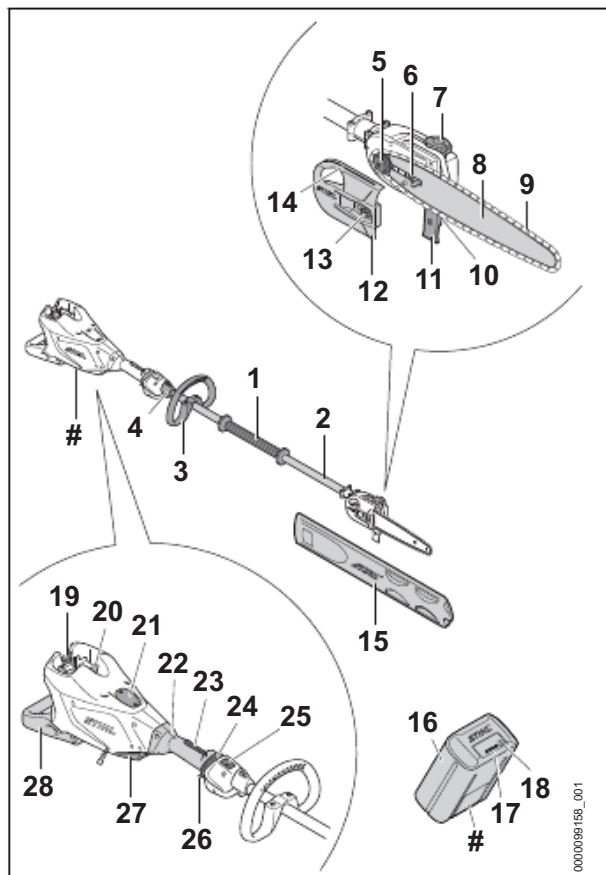
The following symbol is included to assist you with the use of the manual:



Refers to a designated chapter or sub-chapter in this instruction manual.

3 Main Parts

3.1 STIHL HTA 150.0 Pole Pruner and Battery



- 1 Front Handle**
Handle for the operator's front hand.
- 2 Drive Tube**
Pole pruner shaft.
- 3 Loop Handle (only forest variant)**
Handle for the operator's front hand.
- 4 Carrying Ring**
For connecting a harness to the pole pruner.
- 5 Chain Sprocket**
Drives the saw chain.
- 6 Side Chain Tensioner**
Permits precise adjustment of saw chain tension.
- 7 Oil Filler Cap**
For closing the oil tank.
- 8 Guide Bar**
Supports and guides the saw chain.
- 9 Saw Chain**
Toothed cutting tool consisting of cutters, tie straps and drive links.
- 10 Hook**
Helps hold the pole pruner steady against the branch during cutting.
- 11 Extended Hook (only forest variant)**
Helps hold the pole pruner steady against the branch during cutting and helps to remove the branches.
- 12 Chain Sprocket Cover**
Covers the chain sprocket.
- 13 Nut**
Tightens the chain sprocket cover.
- 14 Limbing Sight**
Helps the operator position the bar and chain for the cut.
- 15 Chain Scabbard**
Covers the guide bar and saw chain to reduce the risk of injury from inadvertent contact during transportation and storage.
- 16 Battery**
Supplies electrical power to the motor.
- 17 Battery LEDs**
Indicate the battery's state of charge and display error messages regarding potential malfunctions in the battery or power tool.
- 18 Push Button**
Activates the battery's LEDs.
- 19 Locking Levers**
Secure the battery in the battery compartment.
- 20 Battery Compartment**
Holds the battery.
- 21 Mounting Recess Cover¹**
Covers the mounting area for a Smart Connector 2 A.
- 22 Control Handle**
Handle for the operator's rear hand.
- 23 Trigger Switch Lockout**
Must be depressed to allow activation of the trigger switch.
- 24 Retaining Latch**
For switching the pole pruner on.
- 25 LED**
Indicate the unit's power level.

¹Remove the mounting recess cover only to install a Smart Connector 2 A. Store it safely for later reinstallation. Always use the power tool with the mounting recess cover in place or with the Smart Connector 2 A mounted.

26 Trigger Switch

Activates the saw chain when depressed.

27 Air Filter

Filters the air drawn into the motor.

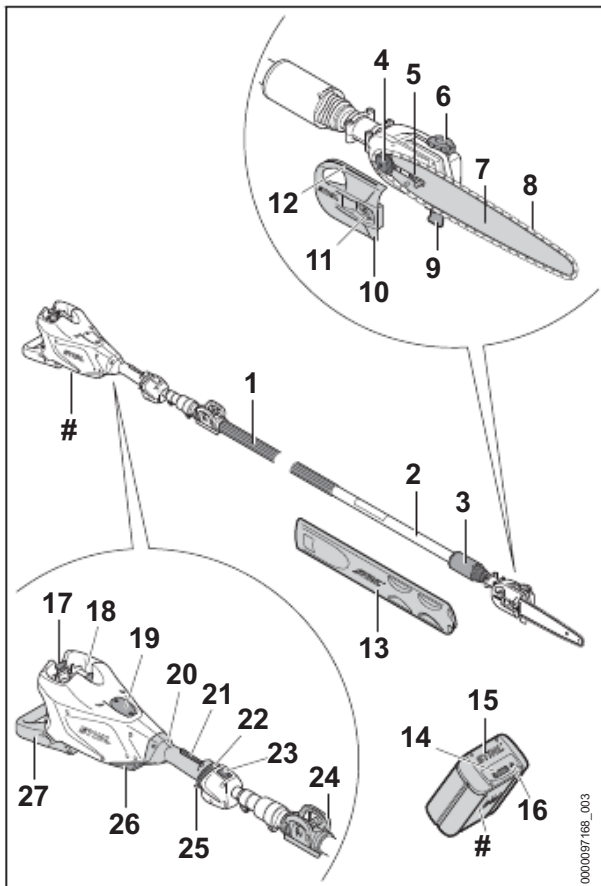
28 Machine Support

For resting the pole pruner on the ground.

Rating Plate

Contains electrical information and the product's serial number.

3.2 STIHL HTA 160.0 Pole Pruner and Battery

**1 Front Handle**

Handle for the operator's front hand.

2 Drive Tube

Pole pruner shaft.

3 Clamping Nut

For adjusting the length of the drive tube.

4 Chain Sprocket

Drives the saw chain.

5 Side Chain Tensioner

Permits precise adjustment of saw chain tension.

6 Oil Filler Cap

For closing the oil tank.

7 Guide Bar

Supports and guides the saw chain.

8 Saw Chain

Toothed cutting tool consisting of cutters, tie straps and drive links.

9 Hook

Helps hold the pole pruner steady against the branch during cutting.

10 Chain Sprocket Cover

Covers the chain sprocket.

11 Nut

Tightens the chain sprocket cover.

12 Limbing Sight

Helps the operator position the bar and chain for the cut.

13 Chain Scabbard

Covers the guide bar and saw chain to reduce the risk of injury from inadvertent contact during transportation and storage.

14 Battery LEDs

Indicate the battery's state of charge and display error messages regarding potential malfunctions in the battery or power tool.

15 Battery

Supplies electrical power to the motor.

16 Push Button

Activates the battery's LEDs.

17 Locking Levers

Secure the battery in the battery compartment.

18 Battery Compartment

Holds the battery.

19 Mounting Recess Cover²

Covers the mounting area for a Smart Connector 2 A.

20 Control Handle

Handle for the operator's rear hand.

21 Trigger Switch Lockout

Must be depressed to allow activation of the trigger switch.

²Remove the mounting recess cover only to install a Smart Connector 2 A. Store it safely for later reinstallation. Always use the power tool with the mounting recess cover in place or with the Smart Connector 2 A mounted.

22 Retaining Latch

For switching the pole pruner on.

23 LED

Indicate the unit's power level.

24 Harness Clip

For connecting a harness to the pole pruner.

25 Trigger Switch

Activates the saw chain when depressed.

26 Air Filter

Filters the air drawn into the motor.

27 Machine Support

For resting the pole pruner on the ground.

Rating Plate

Contains electrical information and the product's serial number.

4 Safety Symbols on the Products

4.1 Pole Pruner

The following safety symbols are found on the pole pruner.



To reduce the risk of injury, follow the specified safety precautions.



Read and follow all safety precautions in the instruction manual. Improper use can lead to serious or fatal personal injury or property damage.



To reduce the risk of eye and head injury, always wear proper eye protection and an approved protective helmet, 6.3.



Wear sturdy boots with non-slip soles. Steel-toed safety boots are recommended, 6.3.



Always wear non-slip, heavy-duty work gloves (e.g. made of leather or other wear resistant material) when handling the machine or saw chain, 6.3.



To reduce the risk of personal injury, keep bystanders at least 50 ft. (15 m) away and maintain a clearance of at least 50 ft. (15 m) between the pole pruner (including any branches it is contacting) and any electrical line carrying live current, 6.5.4.



To reduce the risk of injury or property damage from unintended activation, remove the battery any time the pole pruner is not in use, 6.4.

4.2 Battery

The following safety symbols are found on the AR series backpack battery and the AP series battery:



To reduce the risk of injury, follow the specified safety precautions.



Read and follow all safety precautions in the battery's instruction manual and the manual for the STIHL tool powered by this battery. Improper use can lead to serious or fatal personal injury or property damage.



To reduce the risk of personal injury or property damage from fire, explosion or burns, including chemical burns, do not disassemble, crush, drop, damage or heat above 212 °F (100 °C). Never expose to fire or incinerate, 8.

AR 1000, 2000, 3000 Backpack Batteries



To reduce the risk of personal injury or property damage from a short circuit, fire or explosion, keep dry. Protect from rain, water, liquids and damp conditions. Never immerse in water or other liquids, 8.

AR L Backpack Batteries



To reduce the risk of personal injury or property damage from a short circuit, fire or explosion, keep dry. Never immerse in water or other liquids, 8.

AP Series Batteries



To reduce the risk of personal injury or property damage from a short circuit, fire or explosion, keep dry. Never immerse in water or other liquids, 8.

Batteries sold separately.

5 General Power Tool Safety Warnings

5.1 Introduction

This chapter contains the prescribed general safety warnings and instructions for handheld, motor-operated electric power tools. Additional important warnings and instructions are provided in subsequent chapters of this manual.

⚠ WARNING

- **Read all safety warnings and all instructions.** Failure to follow the warnings and instructions may result in electric shock, fire and/or serious injury.
- **Save all warnings and instructions for future reference.**

The term “power tool” in the warnings refers to your mains-operated (corded) power tool or battery-operated (cordless) power tool.

5.2 Work Area Safety

- a) **Keep work area clean and well lit.** Cluttered or dark areas invite accidents.
- b) **Do not operate power tools in explosive atmospheres, such as in the presence of flammable liquids, gases or dust.** Power tools create sparks which may ignite the dust or fumes.
- c) **Keep children and bystanders away while operating a power tool.** Distractions can cause you to lose control.

5.3 Electrical Safety

- a) **Power tool plugs must match the outlet. Never modify the plug in any way. Do not use any adapter plugs with earthed (grounded) power tools.** Unmodified plugs and matching outlets will reduce the risk of electric shock.
- b) **Avoid body contact with earthed or grounded surfaces, such as pipes, radiators, ranges and refrigerators.** There is an increased risk of electric shock if your body is earthed or grounded.
- c) **Do not expose power tools to rain or wet conditions.** Water entering a power tool will increase the risk of electric shock.
- d) **Do not abuse the cord. Never use the cord for carrying, pulling or unplugging the power**

tool. Keep cord away from heat, oil, sharp edges or moving parts. Damaged or entangled cords increase the risk of electric shock.

- e) **When operating a power tool outdoors, use an extension cord suitable for outdoor use.** Use of a cord suitable for outdoor use reduces the risk of electric shock.
- f) **If operating a power tool in a damp location is unavoidable, use a residual current device (RCD) or ground fault circuit interruptor (GFCI) protected supply.** Use of an RCD or GFCI reduces the risk of electric shock.

5.4 Personal Safety

- a) **Stay alert, watch what you are doing and use common sense when operating a power tool. Do not use a power tool while you are tired or under the influence of drugs, alcohol or medication.** A moment of inattention while operating power tools may result in serious personal injury.
- b) **Use personal protective equipment. Always wear eye protection.** Protective equipment such as dust mask, non-skid safety shoes, hard hat, or hearing protection used for appropriate conditions will reduce personal injuries.
- c) **Prevent unintentional starting. Ensure the switch is in the off-position before connecting to power source and/or battery pack, picking up or carrying the tool.** Carrying power tools with your finger on the switch or energizing power tools that have the switch on invites accidents.
- d) **Remove any adjusting key or wrench before turning the power tool on.** A wrench or a key left attached to a rotating part of the power tool may result in personal injury.
- e) **Do not overreach. Keep proper footing and balance at all times.** This enables better control of the power tool in unexpected situations.
- f) **Dress properly. Do not wear loose clothing or jewellery. Keep your hair and clothing away from moving parts.** Loose clothes, jewellery or long hair can be caught in moving parts.
- g) **If devices are provided for the connection of dust extraction and collection facilities, ensure these are connected and properly used.** Use of dust collection can reduce dust-related hazards.
- h) **Do not let familiarity gained from frequent use of tools allow you to become complacent**

and ignore tool safety principles. A careless action can cause severe injury within a fraction of a second.

5.5 Power Tool Use and Care

- a) **Do not force the power tool. Use the correct power tool for your application.** The correct power tool will do the job better and safer at the rate for which it was designed.
- b) **Do not use the power tool if the switch does not turn it on and off.** Any power tool that cannot be controlled with the switch is dangerous and must be repaired.
- c) **Disconnect the plug from the power source and/or remove the battery pack, if detachable, from the power tool before making any adjustments, changing accessories, or storing power tools.** Such preventive safety measures reduce the risk of starting the power tool accidentally.
- d) **Store idle power tools out of the reach of children and do not allow persons unfamiliar with the power tool or these instructions to operate the power tool.** Power tools are dangerous in the hands of untrained users.
- e) **Maintain power tools and accessories.** Check for misalignment or binding of moving parts, breakage of parts and any other condition that may affect the power tool's operation. If damaged, have the power tool repaired before use. Many accidents are caused by poorly maintained power tools.
- f) **Keep cutting tools sharp and clean.** Properly maintained cutting tools with sharp cutting edges are less likely to bind and are easier to control.
- g) **Use the power tool, accessories and tool bits etc. in accordance with these instructions, taking into account the working conditions and the work to be performed.** Use of the power tool for operations different from those intended could result in a hazardous situation.
- h) **Keep handles and grasping surfaces dry, clean and free from oil and grease.** Slippery handles and grasping surfaces do not allow for safe handling and control of the tool in unexpected situations.

5.6 Battery Tool Use and Care

- a) **Recharge only with the charger specified by the manufacturer.** A charger that is suitable

for one type of battery pack may create a risk of fire when used with another battery pack.

- b) **Use power tools only with specifically designated battery packs.** Use of any other battery packs may create a risk of injury and fire.
- c) **When battery pack is not in use, keep it away from other metal objects, like paper clips, coins, keys, nails, screws or other small metal objects that can make a connection from one terminal to another.** Shorting the battery terminals together may cause burns or a fire.
- d) **Under abusive conditions, liquid may be ejected from the battery; avoid contact. If contact accidentally occurs, flush with water. If liquid contacts eyes, additionally seek medical help.** Liquid ejected from the battery may cause irritation or burns.
- e) **Do not use a battery pack or tool that is damaged or modified.** Damaged or modified batteries may exhibit unpredictable behaviour resulting in fire/explosion or risk of injury.
- f) **Do not expose a battery pack or tool to fire or excessive temperature.** Exposure to fire or temperatures above 130 °C / 265 °F may cause explosion.
- g) **Follow all charging instructions and do not charge the battery pack or tool outside the temperature range specified in the instructions.** Charging improperly or at temperatures outside the specified range may damage the battery and increase the risk of fire.

5.7 Service

- a) **Have your power tool serviced by a qualified repair person using only identical replacement parts.** This will ensure that the safety of the power tool is maintained.
- b) **Never service damaged battery packs.** Service of battery packs should only be performed by the manufacturer or authorized service provider.

6 IMPORTANT SAFETY INSTRUCTIONS

6.1 Intended Use

▲ WARNING

- This pole pruner is designed for limbing only. It is not designed for prying or shoveling away limbs, roots or other objects. Use of the pole

pruner for operations different than intended could result in serious injury or death.

- Cut wood only. For example, do not use the pole pruner for cutting metal, plastic or masonry.
- Before starting any limbing operation, ensure that all necessary cuts can be completed using the charge remaining in the STIHL AP or AR series battery. If you are unsure:
 - Have multiple charged batteries available for use;
 - Select a more powerful pole pruner;
 - Select a more powerful battery; or
 - Consult a reputable tree service professional.
- Read and follow the operating and use instructions in this manual for approved applications and recommended working techniques.
- Improper use could result in personal injury or property damage, including damage to the pole pruner.
 - Use the pole pruner and battery only as described in this manual.
 - Never attempt to modify or override the pole pruner's controls or safety devices in any way.
 - Never use a pole pruner that has been modified or altered from its original design.
 - Be sure to read and follow the warnings and instructions for your battery and charger before charging or starting work.
- This power tool may be powered by a STIHL AP series battery. Alternatively, it may be powered by a STIHL AR series backpack battery in combination with an AP Adapter.

Batteries, chargers and other accessories are sold separately.

6.2 Operator

▲ WARNING

- Working with the pole pruner can be strenuous. The operator must be in good physical condition and mental health. To reduce the risk of personal injury:
 - Check with your doctor before using the pole pruner if you have any health condition that may be aggravated by strenuous work.
 - Do not operate the pole pruner while under the influence of any substance (drug, alcohol or medication, etc.) that might impair vision, balance, dexterity or judgment.

6 IMPORTANT SAFETY INSTRUCTIONS

- Be alert. Do not operate the pole pruner when you are tired. Take a break if you become tired.
- Do not permit minors to use the pole pruner.
- Bystanders, especially children, and animals should not be allowed in the area where the pole pruner is in use.
- Prolonged use of a pole pruner (or other power tools) exposing the operator to vibration may produce white finger disease (Raynaud's phenomenon) or carpal tunnel syndrome. These conditions reduce the hand's ability to feel and regulate temperature. They produce numbness and burning sensations and may also cause nerve and circulation damage as well as tissue necrosis.
- All factors which contribute to white finger disease are not known. Cold weather, smoking and diseases or physical conditions that affect blood vessels and blood transport, as well as high vibration levels and long periods of exposure to vibration, are mentioned as factors in the development of white finger disease.
- To reduce the risk of white finger disease and carpal tunnel syndrome:
 - Wear gloves while working and keep your hands warm.
 - Keep the pole pruner well maintained. An improperly maintained pole pruner or one with loose components will tend to have higher vibration levels.
 - Keep the saw chain sharp. A dull chain will increase cutting time, and pressing a dull chain through wood will increase the vibration transmitted to your hands.
 - Maintain a firm grip at all times, but do not squeeze the handles with constant, excessive pressure. Take frequent breaks.
- These precautions do not guarantee that you will not sustain white finger disease or carpal tunnel syndrome.
 - Closely monitor the condition of your hands and fingers if you are a regular operator.
 - Seek medical advice immediately if any of the above symptoms appear.
- According to STIHL's current knowledge, the electric motor of this pole pruner should not interfere with a pacemaker.
 - However, persons with a pacemaker or other implanted medical device should consult their physician and device manufacturer before operating this pole pruner.

6.3 Personal Protective Equipment

▲ WARNING

- To reduce the risk of personal injury:
 - Always wear proper clothing and protective apparel, including proper eye protection.
- Loss of control and severe cut injuries may result if hair, clothing or apparel make contact with the moving saw chain or otherwise become entangled in the components of the pole pruner. To reduce the risk of severe personal injury:



- Wear sturdy and snug-fitting clothing that also allows complete freedom of movement.
- Wear overalls or long pants made of heavy material to help protect your legs. Do not wear shorts.

- Avoid loose-fitting jackets, scarves, neckties, flared or cuffed pants, jewelry and any other apparel that could be caught on branches, brush or the moving chain.
- Secure hair above shoulder level before starting work.

- To reduce the risk of eye injury:



- Always wear goggles or close-fitting protective glasses with adequate top and side protection that are impact-rated and marked as complying with ANSI Z87 "+".

- To reduce the risk of injury to your face, STIHL recommends that you also wear a face shield or face screen over your goggles or protective glasses.

- To reduce the risk of head injury from falling branches or other objects encountered during work:

- Wear an approved protective helmet.

- Good footing is very important. To help maintain a secure footing and reduce the risk of injury while working:



- Wear sturdy boots with non-slip soles. Steel-toed safety boots are recommended. Do not wear sandals, flip-flops, open-toed or similar footwear.



- To improve your grip and help protect your hands:



- Always wear heavy-duty non-slip work gloves made of leather or another wear-resistant material when handling the pole pruner or its chain.

6.4 Pole Pruner



▲ WARNING

- To reduce the risk of electric shock:
 - Do not immerse the pole pruner in water or other fluids.
 - Store the pole pruner indoors.
- The saw chain has many sharp cutters. Contacting the cutters may result in serious laceration injuries, even if the chain is not moving. To reduce the risk of such injuries:
 - Keep hands, feet and other parts of your body away from the chain.
 - Wear heavy-duty work gloves when handling the pole pruner or its chain.
 - Never touch a moving chain with your hand or any other part of your body.
 - Cover the guide bar with a chain scabbard before transporting or storing the pole pruner to reduce the risk of injury from inadvertent contact.
- Reactive forces, including kickback, can be dangerous.
 - Pay special attention to the section of this instruction manual on "Kickback and Other Reactive Forces,"  7.
- This battery-powered pole pruner is intended only for limbing. Use for other purposes may increase the risk of personal injury and property damage.
 - Cut wood only.
 - Read and follow the operating instructions in this manual for approved applications,  18.4.
- To reduce the risk of personal injury to the operator and bystanders:



- Always release the trigger switch and remove the battery before assembling, transporting, adjusting, inspecting, cleaning, servicing, maintaining or storing the pole pruner, and any other time it is not in use.

- Although certain unauthorized attachments may fit your STIHL pole pruner, their use may be extremely dangerous. Only attachments supplied by STIHL or expressly approved by STIHL for use with this specific model are recommended.





- Use only attachments supplied or expressly approved by STIHL.
- Never modify this pole pruner in any way.
- Never attempt to modify or override the pole pruner's controls or safety devices in any way.
- Never use a pole pruner that has been modified or altered from its original design.
- If the pole pruner is dropped or subjected to similar heavy impacts:
 - Check that it is undamaged, in good condition and functioning properly before continuing work.
 - Check that the controls and safety devices are working properly,  17.1.
 - Check the LEDs for error messages,  12.
 - Check that the battery has not been damaged. Never use or charge a malfunctioning, damaged, cracked, leaking or deformed battery.
 - Never work with a damaged or malfunctioning pole pruner or battery. In case of doubt, have the pole pruner and battery checked by your authorized STIHL servicing dealer.
- If the pole pruner or battery is damaged, not working properly, has been left outdoors and exposed to rain or damp conditions, or dropped into water or other liquid, its components may no longer function properly and safety devices may be inoperative. To reduce the risk of personal injury and property damage:
 - Take the pole pruner and battery to your authorized STIHL servicing dealer to be checked before further operation.
- Genuine STIHL replacement parts are specifically designed to match your pole pruner and meet safety and performance requirements. Use of parts that are not authorized or approved by STIHL may cause serious or fatal injury or property damage.
 - STIHL recommends that only identical STIHL replacement parts be used.


6.5 Using the Pole Pruner

6.5.1 Before Operation

WARNING


- Misuse or unauthorized use may result in personal injury and property damage.
 - Use the pole pruner only as described in this instruction manual.
- For proper assembly of the bar and chain:

- Read and follow the instructions on mounting the guide bar and chain,  14.8.
- The chain, guide bar and sprocket must match each other in gauge and pitch. Before mounting or replacing:
 - Read the information on guide bar and chain combinations,  26.
 - Read and follow the instructions on kick-back and other reactive forces,  7.
 - Select the shortest bar that will meet your cutting needs. Longer bars add weight and may be more difficult to control.
- Proper tension of the chain is extremely important to maximize cutting performance and reduce the risk of personal injury from chain breakage, derailment or reactive forces:
 - Never cut with a loose chain. If the chain becomes loose while cutting, switch off the motor and remove the battery from the pole pruner before tightening the chain. Never attempt to adjust the chain while the battery is inserted.
 - Read and follow the chain tensioning instructions,  14.9.
 - Always make sure the chain sprocket cover is tightened securely after tensioning the chain in order to secure the bar. Never start the pole pruner with a loose or missing chain sprocket cover.
 - Check chain tension once more after tightening the chain sprocket cover.
 - Check chain tension periodically thereafter at regular intervals (only after removing the battery).
- Using a pole pruner that is modified, damaged, improperly adjusted or maintained, or not completely and securely assembled can lead to a malfunction and increase the risk of serious personal injury or death.
 - Never operate a pole pruner that is modified, damaged, improperly maintained or not completely and securely assembled.
 - Always check your pole pruner for proper condition and operation before starting work, particularly the retaining latch, Ergo-Lever, trigger switch and cutting attachment.
 - Ensure that the retaining latch, Ergo-Lever and trigger switch move freely and spring back into place when released. The trigger switch must not engage until the retaining latch is unlocked.
 - Never attempt to modify or override the controls or safety devices in any way.

- If your pole pruner or any part is damaged or does not function properly, take it to your authorized STIHL servicing dealer. Do not use the pole pruner until the problem has been corrected.
- Before inserting the battery:
 - Check the contacts in the battery compartment for corrosion or other foreign matter. Keep clean.
 - Never insert or use a malfunctioning, damaged, cracked, leaking or deformed battery.
 - Read and follow the instructions on switching on the pole pruner,  16.1.
- To help reduce the risk of serious personal injury or death from unintentional starting:
 - Release the trigger switch and trigger switch lockout before inserting the battery.
 - Release the trigger switch before removing the battery.

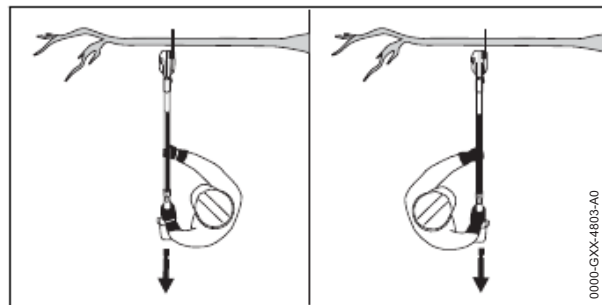


- Remove the battery before assembling, transporting, adjusting, inspecting, cleaning, servicing, maintaining or storing the pole pruner, and any time it is not in use.

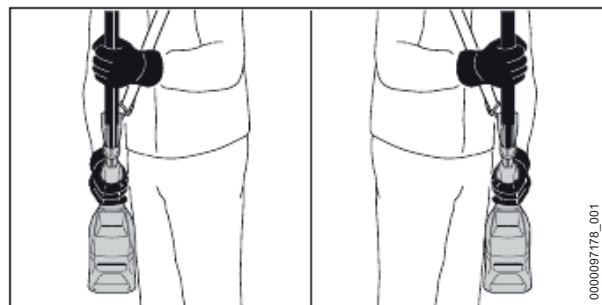
- Never leave the pole pruner unattended when the battery is inserted.
- Never store the battery in the pole pruner.
- Before switching on your pole pruner, take the following steps to reduce the risk of personal injury from loss of control or inadvertent contact with the chain:
 - Be sure that the guide bar and chain are clear of you and all other obstructions and objects, including the ground.
 - Never attempt to switch on the pole pruner when the guide bar is in a cut or kerf. Doing so could lead to reactive forces and injury.
 - Read and follow the instructions on switching on the pole pruner,  16.1.

6.5.2 Holding and Controlling the Pole Pruner

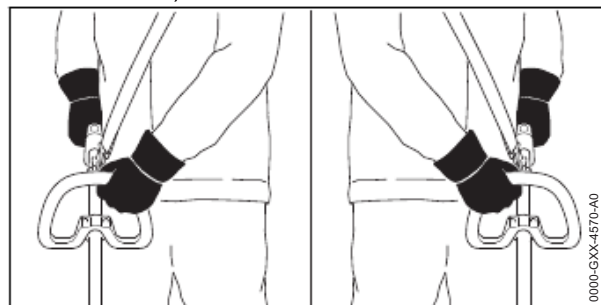
▲ WARNING





- High limbing



- Limbing near ground level (HTA 150.0 only forest variant)



- To maintain a firm grip and properly control your pole pruner:
 - Keep the handles clean and dry at all times. Keep them free of moisture, pitch, oil, grease and resin.
- To reduce the risk of serious or fatal injuries to the operator or bystanders from loss of control:
 - Always hold the pole pruner firmly with both hands on the defined gripping surfaces during work.
 - Wrap your fingers tightly around the handles, keeping the handles cradled between your thumb and forefinger (see illustrations).
 - Position the pole pruner in such a way that all parts of your body are clear of the cutting attachment whenever the battery is inserted. Stand to the left or right of the

- cut while limbing, outside of the cutting plane (see illustration).
- Avoid contacting any object with the upper quadrant of the tip of the guide bar. It may cause kickback to occur.
 - Always hold the pole pruner firmly with both hands when you are working.
 - Read and follow all warnings and instructions in the chapter Kickback and Other Reactive Forces,  7.
- One-handed operation makes it difficult to oppose and absorb reactive forces (pushback, pull-in, kickback) without losing control of the pole pruner. It also makes it difficult to prevent the bar and chain from bouncing along a limb. To reduce the risk of serious or fatal injury to the operator or bystanders from loss of control:
 - Never attempt to operate the pole pruner with one hand.
 - To reduce the risk of serious or fatal cut injuries to the operator or bystanders from loss of control, keep proper footing and balance at all times:
 - Never work on a ladder, roof, in a tree or while standing on any other insecure support.
 - Take special care in overgrown or wet terrain and always watch for hidden obstacles such as tree stumps, roots, rocks, holes and ditches to avoid stumbling or falling.
 - Be extremely cautious when working on slopes or uneven ground.
 - For better footing, always clear away fallen branches, scrub and cuttings and other material, objects or vegetation that can increase the danger of slipping, tripping or falling.
 - Use extreme caution when cutting small-size brush, branches and saplings because slender material may catch the chain and spring toward you or pull you off balance.
 - Do not overreach. Keep proper footing and balance at all times.
 - Never switch on the pole pruner when the guide bar is in a cut or kerf. Doing so could lead to reactive forces and injury. Instead, remove the guide bar from the cut and re-enter at full speed, taking care to avoid contacting any object with the tip of the guide bar.
 - For a pole pruner with an adjustable shaft, expand the shaft only as far as necessary for the intended application, but never cut directly overhead. Ensure that the pole pruner is positioned no more than 60° from the horizontal plane,  6.5.4.
- Working above shoulder height can be tiring. To reduce the risk of injury from fatigue:
 - Never hold the machine with your rear hand on the control handle above shoulder height.
 - Take frequent breaks.
 - The hook is designed to provide greater control of the pole pruner while cutting. If you work without the hook, the pole pruner may pull you forward suddenly. This could cause loss of control or, if the tip of the guide bar strikes an object, kickback.
 - Always work with the hook to maintain better control of the pole pruner.
 - Applying pressure to the pole pruner when reaching the end of a cut may cause the bar and rotating chain to accelerate out of the kerf, go out of control and strike some other object. To reduce the risk of injury:
 - Use caution when approaching the end of a cut.
 - Never put pressure on the pole pruner when reaching the end of a cut.
- ### 6.5.3 Working Conditions
- ## WARNING
- Operate your pole pruner only under good visibility during favorable daylight conditions.
 - Postpone the work if the weather is windy, foggy, rainy or inclement.
 - Never cut near power lines.
 - Your pole pruner is a one-person machine.
 - Do not allow other persons in the general work area.
 - Bystanders, especially children, and animals should not be allowed in the area where it is in use.
 - Switch off the motor immediately if you are approached.
 - To reduce the risk of injury to bystanders and unauthorized users:
 - Never leave the pole pruner unattended when the battery is inserted.
 - Switch off the pole pruner and remove the battery during work breaks and any other time the pole pruner is not in use.
 - Sparks generated from the operation of the pole pruner may be capable of igniting combustible gases, liquids, vapors, dusts or other combustible materials and substances. To reduce the risk of fire and explosion:

- Never operate the pole pruner in a location where combustible gases, liquids, vapors, dusts or other combustible materials and substances are present.
- Read and follow recommendations issued by government authorities (e.g., OSHA) for identifying and avoiding the hazards of combustible gases, liquids, vapors, dusts or other combustible materials and substances.
- If a rotating chain strikes a rock or other hard object, sparks may be created, which can ignite flammable materials under certain circumstances. Flammable materials can include dry vegetation and brush, particularly when weather conditions are hot and dry.
 - When there is a risk of fire or wildfire, do not use your pole pruner around flammable materials or around dry vegetation or brush.
 - Contact your local fire authorities or the U.S. Forest Service if you have any question about whether vegetation and weather conditions are suitable for the use of a pole pruner.
- Using this pole pruner and sharpening its chain can generate dust, oil mist and other substances containing chemicals known to cause respiratory problems, cancer, birth defects and other reproductive harm.
 - Consult governmental agencies such as EPA, OSHA, CARB and NIOSH and other authoritative sources on hazardous materials if you are unfamiliar with the risks associated with the particular substances you are cutting or with which you are working.
- Inhalation of certain dusts, especially organic dusts such as mold or pollen, can cause susceptible persons to have an allergic or asthmatic reaction. Substantial or repeated inhalation of dust or other airborne contaminants, especially those with a smaller particle size, may cause respiratory or other illnesses. This includes wood dust, especially from hardwoods, but also from some softwoods such as Western Red Cedar.
 - Control dust (such as saw dust) and mists (such as oil mist from chain lubrication) at the source where possible.
 - Always work with a properly sharpened chain, which produces wood chips rather than fine dust.
 - To the extent possible, operate the pole pruner so that the wind or operating process directs any dust, mist or other particulate matter raised by the pole pruner away from the operator.
- When respirable dust or other particulate matter cannot be kept at or near background levels, always wear a respirator that is approved by NIOSH and rated for worksite-specific conditions. Follow the recommendations of governmental authorities (e.g., OSHA/NIOSH) and occupational and trade associations.
- If the vegetation being cut or the surrounding ground is coated with a chemical substance, such as pesticide or herbicide:
 - Read and follow the instructions and warnings that accompanied the substance coating the vegetation or surrounding ground.
- Breathing asbestos dust is dangerous and can cause severe or fatal illness, respiratory illness or cancer, including mesothelioma. The use and disposal of asbestos-containing products is strictly regulated by OSHA and the EPA.
 - Do not use your pole pruner to cut or disturb asbestos or asbestos-containing products.
 - Stop work immediately and contact the relevant state and local authorities and/or EPA, your employer or local OSHA representative if you have reason to believe that you might be disturbing asbestos.
- Repeated contact with waste oil can cause skin cancer and its use is harmful to the environment.
 - Do not use waste oil to lubricate the bar and chain of your STIHL pole pruner.

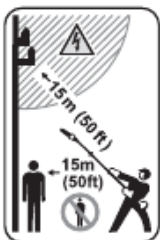
6.5.4 Operating Instructions

▲ WARNING

- To reduce the risk of severe personal injuries from unintentional starting:
 - Never touch a chain with your hand or any part of your body when the battery is inserted, even when the chain is not rotating.
- To reduce the risk of cut injuries:
 - Keep hands and feet away from the saw chain.
 - Never touch a moving chain with your hand or any other part of your body.
 - Always pull the unit out of the cut with the chain running to reduce the possibility of pinching the cutting attachment.
 - If the chain becomes clogged, always switch off the motor, remove the battery

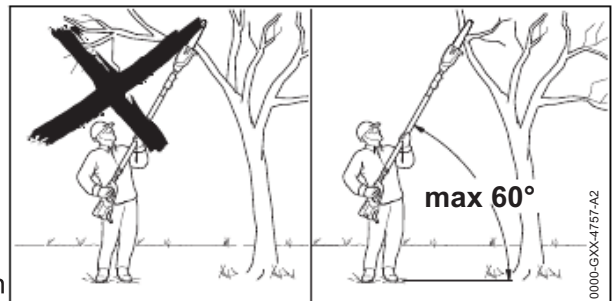
and make sure the chain has stopped before cleaning.

- If a pinch occurs that traps the bar/chain, switch off the motor and remove the battery before attempting to remove the bar.
- Don't put pressure on the pole pruner when reaching the end of a cut. The pressure may cause the bar and rotating chain to pop out of the cut or kerf, go out of control and strike some other object.
- The chain continues to move for a short period after the trigger switch is fully released.
 - Wait for the chain to stop before walking with the pole pruner or putting it down.
- In the event of an emergency:
 - Switch off the motor immediately and remove the battery.
- Contacting foreign objects while sawing might cause the chain to break or be thrown, or cause the pole pruner to propel dangerous debris or kick back in the direction of the operator. To reduce the risk of severe or fatal personal injury caused by contact with foreign objects:
 - Inspect the branch before cutting.
 - Remove any foreign objects to ensure that the wood is free of materials such as nails, spikes, cables, or wires.
 - Before starting a cut, ensure that it can be completed without contacting surrounding objects or structures such as fencing or stonework.
- The power tool has a large range. To reduce the risk of personal or even fatal injury to bystanders from falling objects or inadvertent contact with the cutting attachment:
 - Always keep bystanders at least 50 ft. (15 m) away when the power tool is in use.



- Do not allow other persons in the general work area.
- Do not operate near electrical power lines. The unit has not been designed to provide protection from electric shock in the event of contact with overhead electric lines. Consult local regulations for safe distances from overhead electric power lines and ensure that the operating position is safe and secure before operating the saw chain pole pruner.

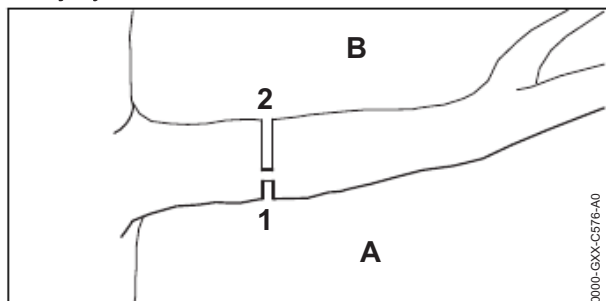
- Check the chain and guide bar at regular short intervals during operation, or immediately if there is a change in cutting behavior:
 - Switch off the motor and remove the battery.
 - Check the condition and tension of the chain. Look for damage to the chain or guide bar.
 - If the chain cannot be properly tensioned, or if other components of the pole pruner are worn or damaged, stop work immediately and take your pole pruner to an authorized STIHL servicing dealer for inspection, repair or maintenance.
- If a tree is rotted, it could snap and fall toward the operator while being cut. To reduce the risk of injury from falling debris, take the following steps before starting work:
 - Observe the general condition of the tree. Inspect for decay or rot in the trunk and branches. Look for dead branches that could vibrate loose and fall on the operator.
 - To prevent a larger branch from splitting, make a shallow relief cut at the bottom of the branch before making a finishing cut from the top. This procedure will help reduce damage to the tree and also help make the fall of the limb more predictable.



- To reduce the risk of severe or even fatal injury from falling objects:
 - Never cut directly overhead. Hold the pole pruner no more than 60° from the horizontal plane (see illustration).
 - Never stand underneath the limb being cut.
 - Watch for falling limbs. Objects may fall in unexpected directions.
 - Establish an escape route away from where the limbs may fall.
 - As soon as the limbed branch starts to fall, step away and keep a sufficient distance away.
 - Keep the work area clear and free of obstacles and fallen limbs. Place all tools


and equipment out of your immediate work area and escape route.

- There is an increased danger of pinching the pole pruner when cutting branches under tension. The tension in wood can also release suddenly and with great force, propelling the limb or pole pruner into the operator, causing injury or loss of control.



- To reduce the risk of severe or fatal personal injury from loss of control when cutting wood under tension:
 - Always start with a relieving cut (1) at the compression side (A) of the branch, and then make a cross-cut (2) at the tension side (B).
 - If a pinch occurs that traps the bar/chain, switch off the motor, remove the battery and remove the pole pruner from the branch, exercising caution that the limb does not suddenly snap or release.



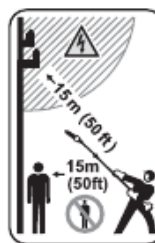
- To reduce the risk of serious or fatal cut injuries to the operator from loss of control, slipping, tripping or falling over branches or other materials:
 - Hold the pole pruner so that the cutting attachment does not touch the ground.
 - Always use a harness for limbing near ground level. Use only one of the allowed harness,  27.

▲ DANGER

- Electricity can jump from one point to another by means of arcing. Higher voltage increases the distance electricity can arc. Electricity can also move through branches, especially if they are wet. To reduce the risk of electrocution:



- Never operate this pole pruner in the vicinity of any wires or cables that may be carrying electric current. Look carefully for concealed wires before starting work.
- Never cut near power lines.
- Hold the power tool only at the designated gripping surfaces, but do not rely on them for protection against electric shock. This pruner is not insulated.



- Maintain a clearance of at least 50 ft. (15 m) between the pole pruner (including any branches it is contacting) and any electrical line carrying live current.
- Before working with less clearance, contact your electric utility and make sure the current is turned off.

7 Kickback and Other Reactive Forces

7.1 Reactive Forces

▲ WARNING

- Reactive forces may occur any time the chain is rotating. Reactive forces can cause serious or fatal personal injury.
- The powerful forces used to cut wood can be reversed and work against the operator. If the rotating saw chain is suddenly and significantly slowed or stopped by contact with any solid object such as a branch, or is pinched, the reactive forces may occur instantly.
- These reactive forces may result in loss of control, which, in turn, may cause serious or fatal injury.
 - An understanding of the causes of these reactive forces may help you avoid the element of surprise and loss of control. Surprise contributes to accidents.
- Because of the design of the pole pruner, the reactive forces experienced when working with it are generally not as severe as those encountered with a chain saw.
 - Nevertheless, always maintain a proper grip and good footing to control the pole pruner when you experience such forces.

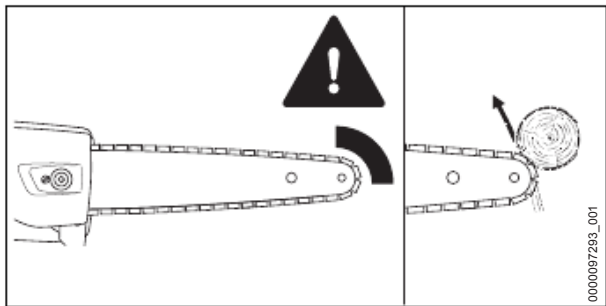
The most common reactive forces are:

- Kickback
- Pull-in

– Pushback

7.2 Kickback

7.2.1 Kickback



▲ WARNING

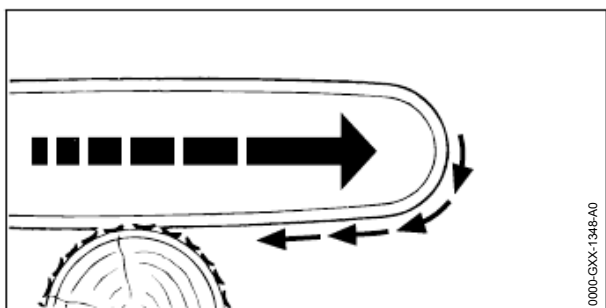
- Kickback may occur when the moving chain near the upper quadrant of the bar nose contacts a solid object or is pinched.
- When this occurs, the energy driving the chain can create a force that moves the pole pruner in a direction opposite to the chain movement at the point where the chain is slowed or stopped. This may cause the bar to move upward.

7.2.2 To Avoid Kickback

The best protection from personal injury that may result from kickback is to avoid kickback situations:

- 1) Be aware of the location of the guide bar nose at all times.
- 2) Never let the nose of the guide bar contact any object. Do not cut limbs with the nose of the guide bar. Be especially careful near wire fences and when cutting small, tough limbs, which may easily catch the chain.
- 3) Cut only one limb at a time.

7.3 Pull-in



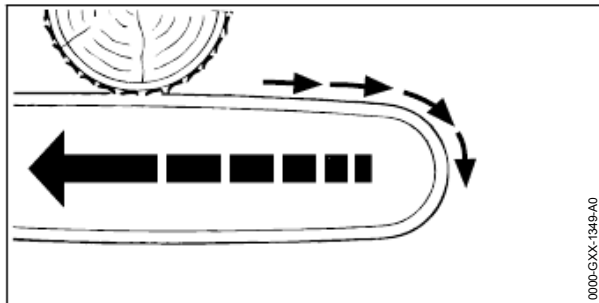
▲ WARNING

- Pull-in occurs when the chain on the bottom of the bar is suddenly stopped or significantly slowed when it is pinched, caught or encoun-

ters a foreign object in the wood. The reaction of the chain pulls the pole pruner forward.

- Pull-in usually occurs when the chain is not rotating at full speed before it contacts the wood.
- To reduce the risk of pull-in:
 - Be alert to forces or situations that may cause material to pinch the chain at the bottom of the bar.
 - Always start a cut with the chain rotating at full speed.

7.4 Pushback



▲ WARNING

- Pushback occurs when the chain on the top of the bar is suddenly stopped or significantly slowed when it is pinched, caught or encounters a foreign object in the wood. The reaction of the chain may drive the pole pruner rapidly straight back toward the operator.
- Pushback usually occurs when the top of the bar is used for cutting.
- To reduce the risk of pushback:
 - Be alert to forces or situations that may cause material to pinch or bind the top of the bar.
 - Do not cut more than one limb at a time.
 - Do not twist the bar when withdrawing it from an underbuck cut because the chain can pinch or bind.

8 Battery Safety

8.1 Warnings and Instructions


▲ WARNING

- Read and follow the safety precautions on the battery and all warnings and instructions that accompany it.
- Use of unauthorized batteries can damage the power tool and result in fire, explosion and personal injury and property damage.
 - Use only genuine STIHL AR or AP series batteries with this power tool.

- Use of STIHL AR or AP series batteries for any purpose other than powering STIHL products could be extremely dangerous.
 - Use STIHL AR and AP series batteries only to power compatible STIHL products.
- Use of unauthorized chargers can damage the battery and result in fire, explosion and personal injury and property damage.
 - Charge STIHL AP series batteries only with genuine STIHL AL 101, AL 301, AL 301-4 or AL 500 series chargers.
 - Charge STIHL AR series backpack batteries only with genuine STIHL AL 301, AL 301-4 or AL 500 series chargers.
- The battery contains safety features and devices which, if damaged, may allow the battery to generate heat, rupture, leak, ignite or explode.



- Never heat the battery above 212 °F (100 °C).
- Never incinerate or place the battery on or near fires, stoves or other high-temperature locations.

- Never use or charge a malfunctioning, damaged, cracked, leaking or deformed battery.
- Never open, disassemble, crush, drop, subject to heavy impact or otherwise damage the battery.
- Never expose the battery to microwaves or high pressures.
- Never insert objects into the battery's cooling slots.
- Extreme temperatures may cause the battery to generate heat, rupture, leak, ignite or explode, resulting in severe or fatal personal injury and property damage.
 - Never charge, use or store the battery outside the specified ambient temperature limits,  25.6.
- To reduce the risk of personal injury and property damage in the event the battery emits smoke, has an unusual smell or feels unusually hot while using, charging or storing:
 - Immediately discontinue using or charging the battery. Contact the authorities in the event of fire or explosion.
- To reduce the risk of a short circuit, which could lead to electric shock, fire and explosion:
 - Keep STIHL AR 1000, 2000, 3000 backpack batteries dry. Protect from rain, water and other liquids. Attach the rain cover to the battery before start-



ing work in rain or in very damp conditions.



- If a STIHL AP or AR L battery has been exposed to rain during work, remove it from the product and allow it to dry indoors. Make sure it is completely dry before charging or using.
- Never immerse any STIHL battery in water or other liquids.
- Never bridge the battery terminals with wires or other metallic objects.
- Keep a battery that is not in use away from small metal objects capable of conducting electricity (e.g., paper clips, nails, coins, keys).
- Store the battery indoors in a dry room.
- Never store the battery in damp or corrosive environments or in conditions that could lead to corrosion of its metal components.
- Never store the battery in the power tool.
- When storing the battery, maintain a charge of 40 % to 60 % for STIHL AP series batteries and a charge of 30 % to 45 % for STIHL AR series batteries (2 green LEDs).
- If storing the battery in the charger, disconnect the charger from the outlet.
- Protect the battery from exposure to corrosive agents such as garden chemicals and de-icing salts.
- Protect the battery from exposure to conductive liquids such as salt water.
- Do not attempt to repair, open or disassemble the battery. There are no user-serviceable parts inside.
- Leaking battery fluid is potentially harmful and can cause skin and eye irritation, chemical burns and other serious personal injury.
 - Avoid contact with skin and eyes.
 - Use an inert absorbent such as sand on spilled battery fluid.
 - In the event of accidental contact, immediately rinse the contact area thoroughly with mild soap and water.
 - If fluid gets into your eye(s): do not rub. Rinse water over the open eye(s) for at least 15 minutes and seek medical attention.
- A battery fire can be dangerous. To reduce the risk of severe personal injury and property damage in the event of fire:

- Evacuate the area. Fire can spread rapidly. Stay clear of any vapors generated and maintain a safe distance.
- Contact the fire department.
- Although water can be used to put out a battery fire, use of a multi-purpose dry chemical fire extinguisher is preferable.
- Consult the fire department regarding proper disposal of a burned battery.

9 Maintenance, Repair and Storage

9.1 Warnings and Instructions

▲ WARNING

- There are no user-authorized repairs for the battery or pole pruner. To reduce the risk of fire, electric shock or other personal injury and property damage:
 - Users may carry out only the cleaning and maintenance operations described in this manual.
 - Strictly follow the cleaning and maintenance instructions in the appropriate sections of this instruction manual.
 - STIHL recommends that all repair work be performed by authorized STIHL servicing dealers.
- Unintentional starting may result in personal injury or property damage. To reduce the risk of personal injury and property damage from unintentional starting:



- Remove the battery before inspecting the pole pruner or carrying out any cleaning, maintenance or repair work, before storing, and any other time it is not in use.

- The bar and chain are the only user-serviceable parts of the pole pruner. Proper maintenance will help maintain cutting performance and reduce the risk of personal injury caused by chain derailment and reactive forces.
 - Wear gloves when handling the saw chain.
 - Keep the chain, guide bar and sprocket clean.
 - Replace the chain and guide bar when they become worn or damaged.
 - Keep the chain sharp and at proper tension.
 - Tighten all nuts, bolts and screws after each use.

- Return the pole pruner immediately for maintenance whenever there is a change in its operating characteristics.
- Use of parts that are not authorized or approved by STIHL may cause serious or fatal injury or property damage.
 - STIHL recommends that only identical STIHL replacement parts be used for repair or maintenance.
- To reduce the risk of short circuit and fire:
 - Keep the battery guides free of foreign matter. Clean as necessary with a dry cloth or soft, dry brush.
- Improper storage can result in unauthorized use, damage to the pole pruner and battery, and an increased risk of fire, electric shock and other personal injury or property damage.
 - Remove the battery from the pole pruner before storing.
 - Never store the pole pruner with the battery inserted.
 - When storing the battery, maintain a charge of 40 % to 60 % for STIHL AP series batteries and a charge of 30 % to 45 % for STIHL AR series batteries (2 green LEDs).
 - If storing the battery in the charger, disconnect the charger from the outlet.
 - Store the pole pruner and battery indoors in a dry, secure place that cannot be accessed by children or other unauthorized users.
 - Never store the battery in the pole pruner or in a container with small metal objects capable of conducting electricity (e.g., paper clips, nails, coins, keys).

NOTICE





- Always release tension on the chain after finishing work. The chain contracts as it cools down. If it is not slackened, it can damage the drive shaft and bearings. Properly re-tension the chain before using the pole pruner again.

10 Before Starting Work

10.1 Preparing the Pole Pruner for Operation

Before starting work:

- ▶ Fully charge the battery, 11.
- ▶ Assembling the Pole Pruner, 14.
- ▶ Mount the guide bar and saw chain, 14.8.1.
- ▶ Tension the chain, 14.9.
- ▶ Fill the chain oil tank, 14.10.2.


- ▶ Check the controls for proper function and condition,  17.1.
- ▶ Check the chain oil flow rate,  17.2.
- ▶ Adjust the length of the drive tube,  18.1.
- ▶ Put on and adjust the shoulder strap,  18.3.

11 Charging the Battery

11.1 Setting up the Charger



WARNING

- Read and follow the safety precautions on the battery and charger and all warnings and instructions that accompany those products. To reduce the risk of short circuit, which could lead to electric shock, fire and explosion, make sure the charger and its components are dry and not damaged. Read and follow the warnings and instructions in your charger's manual. For optimum performance, observe the recommended ambient temperature ranges,  25.7.



WARNING

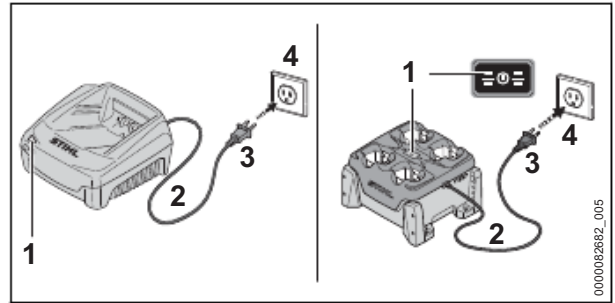
- A typical household electric circuit is between 15 and 20 amps. A single STIHL AL 500 charger draws approximately 4.8 amps. A single AL 301 or AL 301-4 charger draws approximately 4.4 amps and an AL 101 approximately 1.3 amps. To reduce the risk of fire from overloading an electrical circuit:
 - Ensure the electrical system is rated to withstand the expected electrical draw before charging your battery.
 - Charge multiple batteries one at a time or on separate circuits, unless you know your circuit can handle the total expected draw from multiple chargers.



WARNING

- Since the charger heats up during the charging process, do not operate the charger on a combustible surface or in a location where combustible gases, liquids, vapors, dusts or other materials and substances are present.

To set up the charger:



- ▶ Insert the plug (3) into a properly installed electrical outlet (4) matching the voltage and electrical frequency stated on the charger's rating plate.

The charger runs a self-test immediately after it is plugged in. The charger LED (1) will glow green for about 1 second, then it will glow red briefly before going out. Once the LED goes out, the self-test is complete and the charger is ready to charge the battery.

- ▶ Position the power supply cord (2) so that it will not be stepped on, tripped over, come in contact with sharp objects or moving parts or otherwise be subjected to damage or stress.


11.2 Charging



WARNING

- STIHL batteries contain safety features and devices which, if damaged, may allow the battery to generate heat, rupture, leak, ignite or explode. Never charge a malfunctioning, damaged, cracked, leaking or deformed battery, or use a charger that has been damaged. Never insert a wet battery or battery adapter. Never use a wet charger. Follow all product-specific warnings and instructions accompanying your battery and charger.

A battery is not fully charged when it ships from the factory. STIHL recommends that you fully charge the battery before using it the first time.

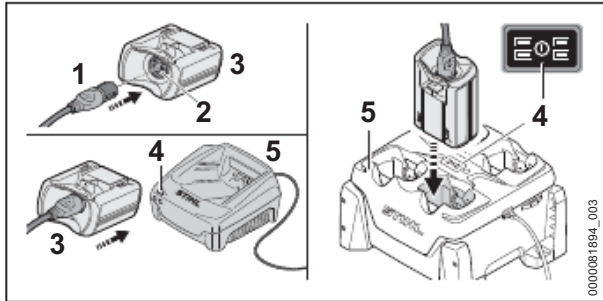
Read and follow the warnings and instructions in your charger's manual. For optimum performance, observe the recommended ambient temperature ranges,  25.7.

The battery heats up during operation of the power tool. If a hot battery is connected to the charger, it may be necessary for it to cool down before charging starts. The charging process begins only after the battery has cooled down sufficiently.

Charging time depends on a number of factors, including battery condition and the ambient tem-

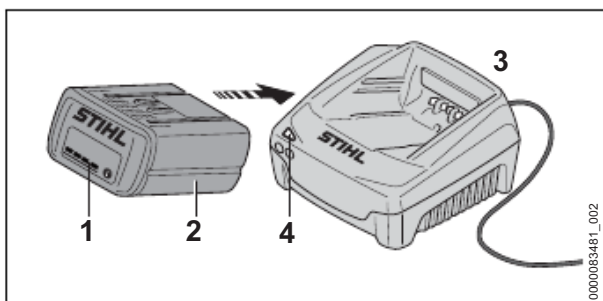
perature. For a complete list of approximate charging times, see www.stihl.com/charging-times.

To charge an AR battery:



- ▶ Push the plug of the connecting cord (1) into the socket (2) of the AP Adapter (3) until it stops.
- ▶ Push the AP Adapter into the charger (5) until it stops.
The LED (4) on the **charger** glows green when the battery is charging.
The LEDs on the **AR battery** glow green and show the state of charge.
When the LEDs on the battery turn off, the charging process is complete and the charger will shut itself off. The AP Adapter can be removed from the charger.
- ▶ Disconnect the power supply cord from the electrical outlet when the charger is not in use for extended periods of time.
- ▶ Charge STIHL AR backpack batteries only with genuine STIHL AL 301, AL 301-4 or AL 500 series chargers.

To charge an AP battery:



- ▶ Push the battery (2) into the charger (3) until it stops.
The LED on the **charger** glows green when the battery is charging.
The LEDs (1) on the **AP battery** glow green and show the state of charge.
When the LEDs on the battery go out, the charging process is complete and the charger will shut itself off. The AP battery can be removed from the charger.

- ▶ Disconnect the power supply cord from the electrical outlet when the charger is not in use for extended periods of time.
- ▶ Charge STIHL AP series batteries only with genuine STIHL AL 101, AL 301, AL 301-4 or AL 500 series chargers.

12 LED Diagnostics and Acoustic Signals

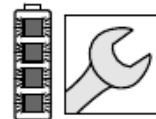
12.1 STIHL AP Battery

12.1.1 Battery Status

Four LEDs show the status of the battery. These LEDs can glow or flash green or red.



If one LED glows red continuously: the battery is either too hot or too cold. Allow the battery to warm up or cool down gradually at an ambient temperature of about 50 °F to 68 °F (10 °C to 20 °C).



If all 4 LEDs flash red: the battery has a malfunction and must be replaced. Do not attempt to charge, use or store the battery.

12.1.2 Power Tool Status

The same LEDs on the battery will indicate the status of the power tool.

If three LEDs glow red continuously: the power tool motor is too hot. Allow the motor to cool down.

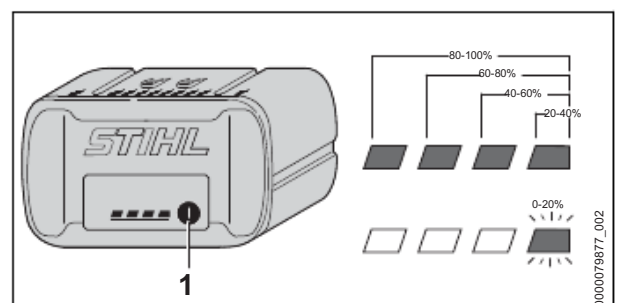
If three LEDs flash red when you activate the trigger switch: the power tool has an electrical malfunction. Do not operate the power tool. Have it checked by an authorized STIHL servicing dealer before use or storage.

For troubleshooting information, see 24.

12.1.3 Charge Status

The LEDs on the battery also show the battery's state of charge.

To determine the battery's state of charge:



- ▶ Press the button (1) on the battery.
The LEDs on the battery will glow or flash green for about 5 seconds and indicate the state of charge (see illustration).

For example:

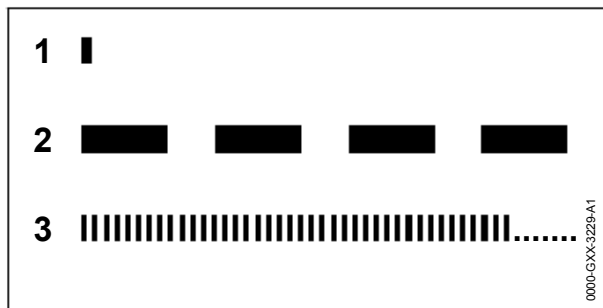
If four green LEDs glow continuously: full charge.

If one green LED is flashing: less than 20 % charge.

12.2 STIHL AR Backpack Battery

12.2.1 Battery Status

Six LEDs and an acoustic signal indicate the status of the battery.



- 1 A short beep**
The acoustic signal works as it should.
- 2 Four or six (AR L) long beeps**
The battery's charge is low. Recharge the battery.
- 3 Rapid succession of short beeps**
There is a malfunction in the battery. The signal stops automatically after a few seconds. Do not attempt to charge, use or store the battery. Replace the battery.

These LEDs can glow or flash green or red.

If one LED glows red continuously: the battery is either too hot or too cold. Allow the battery to warm up or cool down gradually at an ambient temperature of about 50 °F to 68 °F (10 °C to 20 °C).

If the four right side LEDs flash red and a rapid succession of several short beeps is emitted: the battery has a malfunction and must be replaced. Do not attempt to charge, use or store the battery.

- ▶ Be aware that your ability to hear the acoustic signal may be reduced when wearing hearing protection.

12.2.2 Power Tool Status

When the battery is connected to the power tool, the same LEDs on the battery will indicate the status of the power tool.

If three LEDs glow red continuously: the power tool motor is too hot. Allow the motor to cool down.

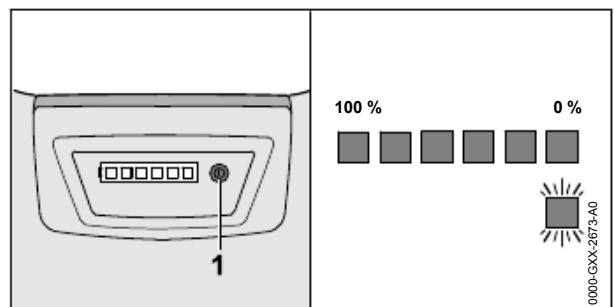
If three LEDs flash red when you activate the trigger switch: the power tool has an electrical malfunction. Do not operate the power tool. Have it checked by an authorized STIHL servicing dealer before use or storage.

For troubleshooting information, see 24.

12.2.3 Charge Status

The LEDs and acoustic signals on the battery also indicate the battery's state of charge.

To determine the battery's state of charge:



- ▶ Press the button (1) on the backpack battery.

A single short beep will be emitted. The LEDs on the battery will glow or flash green for about 5 seconds and indicate the state of charge (see illustration).

For example:

If six green LEDs glow continuously: full charge.

If one green LED is flashing and four long beeps are emitted: less than 20 % charge.

13 STIHL AR Backpack Battery

13.1 Positioning and Adjusting the Connecting Cord

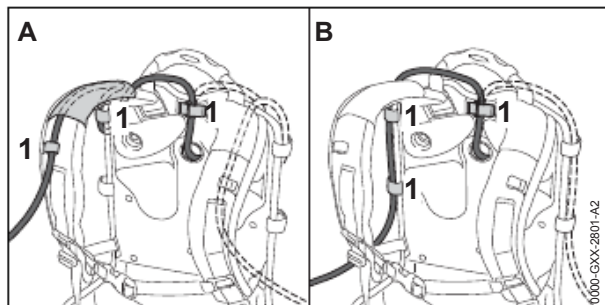
WARNING

- To reduce the risk of injury from tripping or losing control of the power tool, always secure the connecting cord through the backpack guides and with the hook and eye fasteners as described below. Position and secure the connecting cord so that it will not interfere with proper working technique or your ability to maintain control of the power tool.

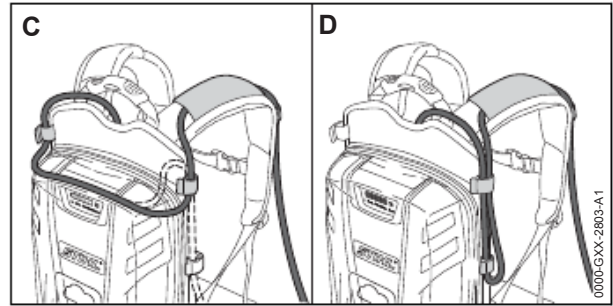
WARNING

- Manage the cord to prevent it from contacting the cutting/working attachment or catching on objects, which could cause you to lose balance or control of the power tool, resulting in serious personal injury and property damage.

The connecting cord can be secured in different positions and adjusted to suit the height and reach of the operator.



The connecting cord can run through the guide on the shoulder strap (Illustration A), or along the back plate (Illustration B). Secure the connecting cord to the backpack frame with the hook and eye fasteners (1). Always secure the connecting cord using the guide or hook and eye fasteners on the side of the body on which the power tool is held and controlled. Do not allow the connecting cord to swing across your body or hang at your side.



The length of the connecting cord can be adjusted by making a loop around the top (Illustration C) or on the side (Illustration D) of the backpack battery with the hook and eye fasteners.

13.2 Putting on the Harness

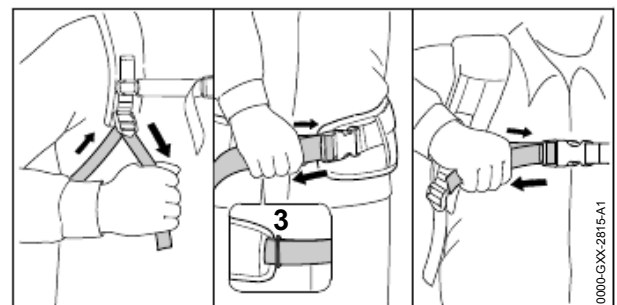
WARNING

- To reduce the risk of personal injury, the operator must be able to remove the backpack battery quickly in the event of an emergency. In an emergency, open and remove the waist belt and chest strap quickly before dropping the battery to the ground.

To ensure a proper fit:



- ▶ Put the backpack battery on your back.
- ▶ Fasten and adjust the waist belt (2) so that it rests comfortably but securely on your hips.
- ▶ Fasten the chest strap (1) and adjust it so that it fits comfortably but securely across your chest.



- ▶ Adjust the harness straps so that the back padding fits firmly and securely against your back.

- ▶ Thread the end of the waist belt through the loop (3).
- ▶ To remove the harness, open the quick-release fasteners on the waist belt and chest strap and loosen the harness straps by lifting the sliding adjusters.



To help reduce the risk of injury in the event of an emergency, practice quickly opening the fasteners on the waist belt and chest strap, loosening the shoulder straps and removing the battery.

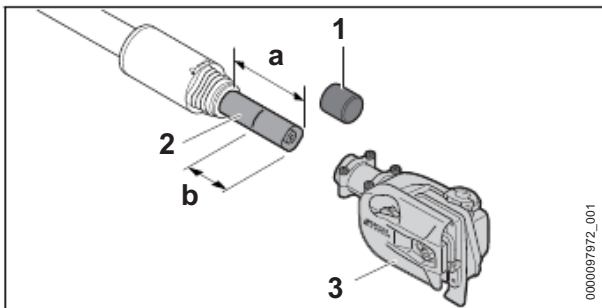
NOTICE


- To avoid damage, ease the battery to the ground when practicing. Do not allow the battery to drop to the ground and do not throw it.

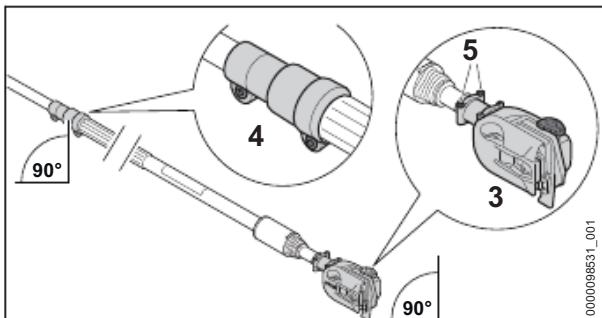
14 Assembling the Pole Pruner

14.1 Mounting the Gearbox

- ▶ Switch off the pole pruner,  16.2.
- ▶ Remove the battery,  15.2.



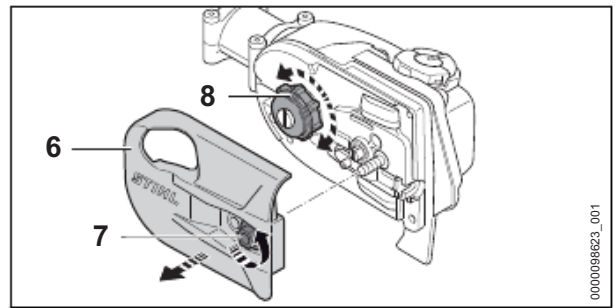
- ▶ Remove the cap (1) from the square end of the drive tube (2).
- ▶ Adjust the length of the drive tube to $a = 3.9$ in. (10 cm),  18.1 (only HTA 160.0).
- ▶ Mark the drive tube at $b = 2.4$ in. (6 cm).
- ▶ Push the gearbox onto the drive tube up to the mark b.




- ▶ Align the clamping sleeve (4) (only HTA 160.0) and gearbox (3) as shown. Make sure the clamping sleeve screws are on the underside



of the drive tube and the oil cap on the gearbox is facing up.

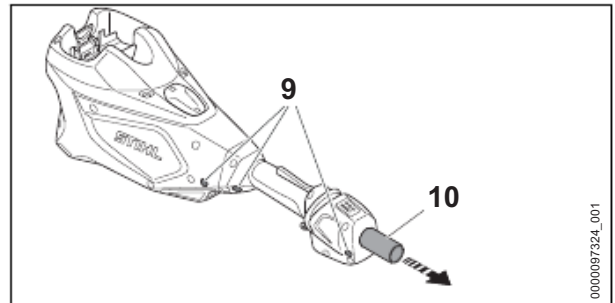
- ▶ Tighten the screws (5).



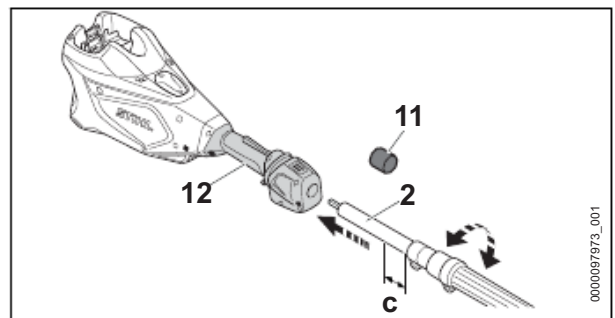
- ▶ If the gearbox cannot be pushed onto the drive tube up to mark b:
 - ▶ Remove the chain sprocket cover (6) by turning the nut (7) counterclockwise.
 - ▶ Turn the chain sprocket (8) until you can push the gearbox to mark b on the drive tube.
 - ▶ Replace the chain sprocket cover and secure the nut after mounting your bar and chain,  14.8.1.

14.2 Mounting the Motor Housing (HTA 160.0 only)

- ▶ Switch off the pole pruner,  16.2.
- ▶ Remove the battery,  15.2.

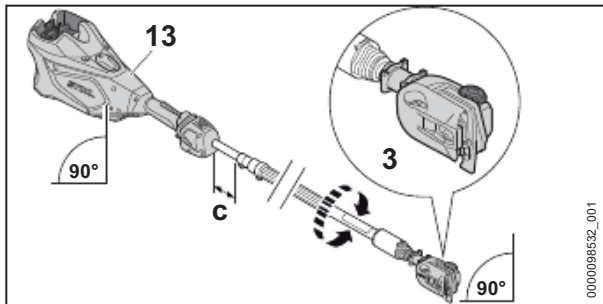


- ▶ Loosen the screws (9).
- ▶ Remove the protective tubing (10).



- ▶ Remove the cap (11) from the round end of the drive tube (2).

- ▶ Rotate the drive tube until it can be inserted into the opening in the control handle (12). This may require rotating the drive shaft back and forth until the two align.
- ▶ Push it in direction of the control handle until $c = 0.8$ in. (2 cm).



- ▶ Align the motor housing (13) and gearbox (3) as shown. Make sure the battery opening and oil cap are facing up.
- ▶ Tighten the screws (9).

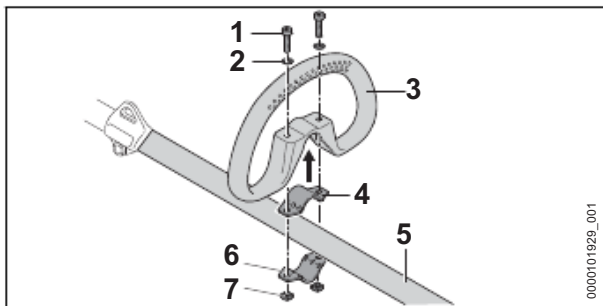
14.3 Mounting the Loop Handle (HTA 150.0 only forest variant)

! WARNING

- To reduce the risk of injury from loss of control, ensure that the loop handle is properly and securely mounted before starting work.

To mount the loop handle:

- ▶ Switch off the pole pruner, 16.2.
- ▶ Remove the battery, 15.2.

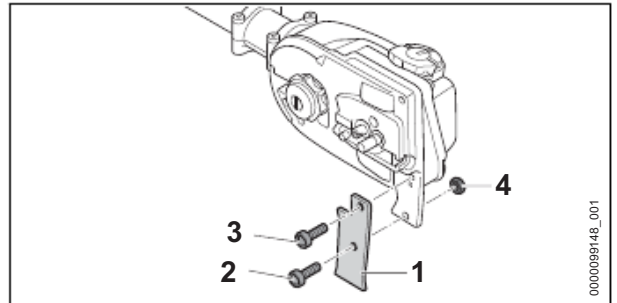


- ▶ Position one clamp (4) in the loop handle (3).
- ▶ Position the other clamp (6) against the underside of the drive tube (5) and line up the holes in the loop handle and clamps.
- ▶ Put washers (2) on the screws (1) and insert the screws through the holes in the loop handle and clamps.
- ▶ Attach the square nuts (7) and tighten securely. Ensure that the handle is tight and will not move during operation.

14.4 Mounting the Extended Hook (HTA 150.0 only forest variant)

To mount the hook:

- ▶ Switch off the pole pruner, 16.2.
- ▶ Remove the battery, 15.2.



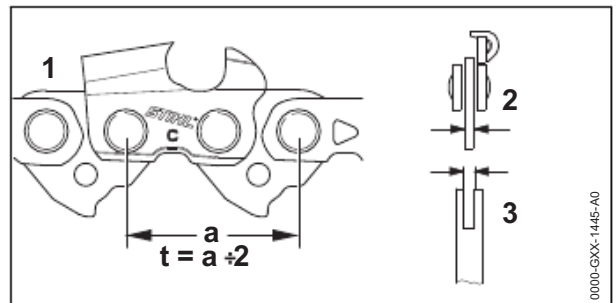
- ▶ Position the extended hook (1).
- ▶ Insert and tighten the screw (3) securely.
- ▶ Insert the screw (2) and tighten it securely with the nut (4). Ensure that the extended hook is tight and will not move during operation.

14.5 Cutting Attachment

! WARNING

- If non-matching components are used, the cutting attachment will be damaged beyond repair after a short period of operation, and the chain could de-rail, resulting in serious or fatal personal injury.

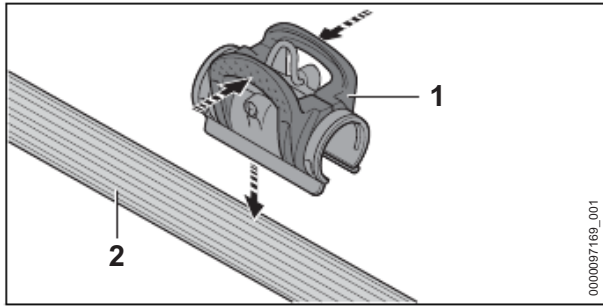
A cutting attachment consists of the chain, guide bar and chain sprocket.



- The pitch (t) of the chain (1), must match the pitch of the chain sprocket.
- The drive link gauge (2) of the chain must match the groove width of the guide bar (3).

14.6 Mounting the Harness Clip (HTA 160.0 only)

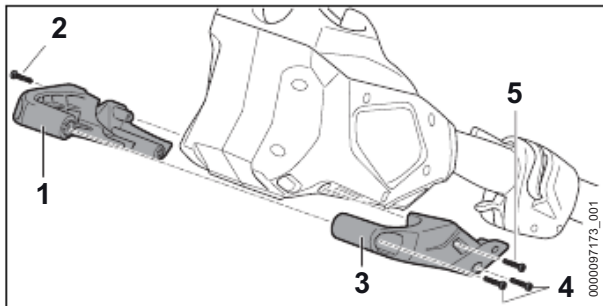
- ▶ Switch off the pole pruner, 16.2.
- ▶ Remove the battery, 15.2.



- ▶ Press the harness clip (1) together and place it on the front handle (2).

14.7 Mounting the Machine Support

- ▶ Switch off the pole pruner, 16.2.
- ▶ Remove the battery, 15.2.



- ▶ Position the left half of the machine support (1) against the side of the motor housing.
- ▶ Insert screw (2).
- ▶ Position the right half of the machine support (3) against the side of the motor housing.
- ▶ Insert screw (5).
- ▶ Insert and tighten screws (4).
- ▶ Tighten screws (2) and (5).

14.8 Mounting and Removing the Guide Bar and Chain

14.8.1 Mounting the Guide Bar and Chain

WARNING

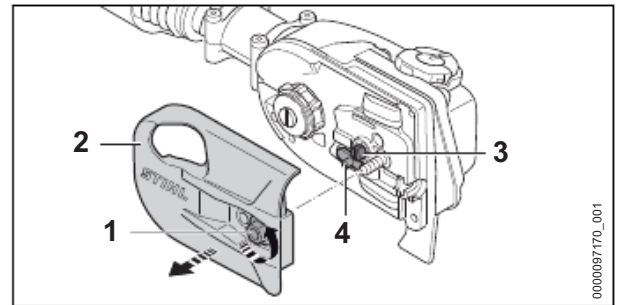
- Make sure the battery is removed before starting assembly. Never operate your pole pruner without a properly mounted guide bar and chain, 6.5. Use only guide bar and chain combinations expressly recommended or approved by STIHL, 6.4.

WARNING

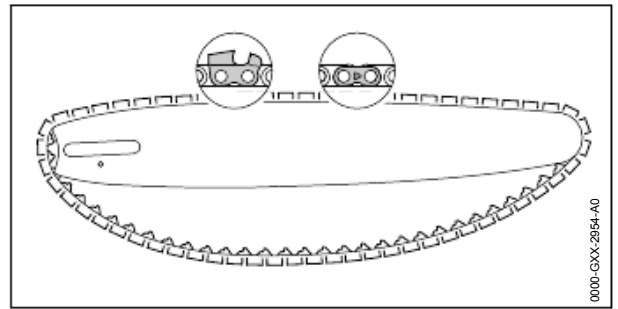
- The chain has many sharp cutters. If they contact your flesh, they will cut you, even if the chain is not moving, 6.4. Always wear heavy-duty work gloves when mounting or otherwise handling the chain, 6.3.

To mount the guide bar and chain:

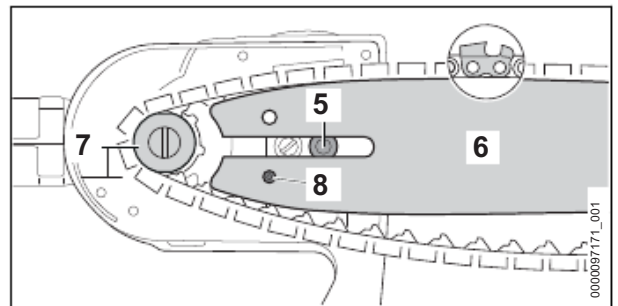
- ▶ Switch off the pole pruner, 16.2.
- ▶ Remove the battery, 15.2.



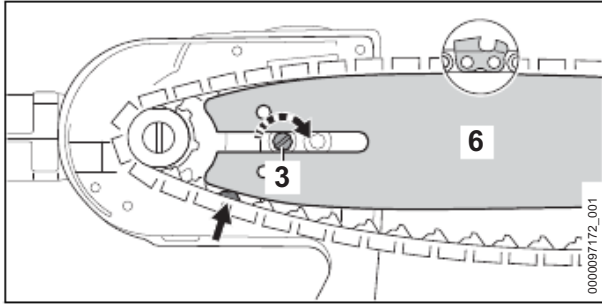
- ▶ Turn the nut (1) counterclockwise until the chain sprocket cover (2) can be removed.
- ▶ Remove the chain sprocket cover.
- ▶ Turn the side chain tensioner (3) counterclockwise until the tensioning gear (4) sits flush against the housing.



- ▶ Position the chain in the groove of the guide bar, starting at the tip.
- ▶ Make sure that the cutters in the groove on the top side of the guide bar face the tip of the bar. STIHL chains are manufactured with arrows on the tie straps to help the operator determine the proper direction of the chain. Arrows on the tie straps on the top of the bar must point toward the bar tip.



- ▶ Point the guide bar tip away from the chain sprocket (7).
- ▶ Place the chain around the chain sprocket.
- ▶ Slide the guide bar (6) over the collar screw (5). The head of the collar screw must protrude into the oblong hole.
- ▶ Fit the pin of the tensioning gear in the hole (8) of the guide bar.



- ▶ Direct the drive links into the groove of the guide bar (6, arrow) while turning the side chain tensioner (3) clockwise until it stops. The guide bar and chain must be firmly and securely mounted on the pole pruner.
- ▶ Fit the sprocket cover on the pole pruner so that it is flush with the housing.
- ▶ Turn the nut clockwise until the chain sprocket cover is firmly attached to the pole pruner.

14.8.2 Removing the Guide Bar and Chain

- ▶ Unscrew the nut securing the chain sprocket cover.
- ▶ Remove the chain sprocket cover.
- ▶ Turn the side chain tensioner counterclockwise until it stops and the chain is loose.
- ▶ Remove the guide bar and chain.

NOTICE

- The top and bottom of the guide bar are symmetrical, and the bar may be mounted with the printing facing up or down. Flipping the guide bar each time the chain is sharpened or changed will help reduce uneven wear and improve its service life.

14.9 Tensioning the Chain

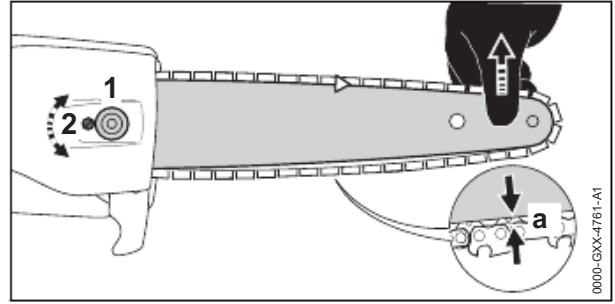


WARNING

- To reduce the risk of severe personal injury from chain derailment, check chain tension frequently, 6.5. At operating temperatures, the chain stretches and sags. New chain tends to stretch more than used chain. Tension the chain so that the drive links cannot come out of the groove on the underside of the guide bar.

To properly tension the chain:

- ▶ Switch off the pole pruner, 16.2.
- ▶ Remove the battery, 15.2.



- ▶ Loosen the nut (1).
- ▶ Lift the guide bar tip.
- ▶ Turn the side chain tensioner (2) clockwise to tighten the chain. The chain is properly adjusted when the distance between the underside of the guide bar and the chain (a) is between 0.04 in. (1 mm) and 0.08 in. (2 mm) and can still be pulled easily along the bar by hand. Always wear gloves when handling the chain.
- ▶ If the chain cannot be moved along the guide bar, it is too tight.
 - Reduce the tension by turning the side chain tensioner counterclockwise until the chain can move freely along the guide bar.
 - Ensure that the drive links remain in the groove and that the distance between the underside of the guide bar and the chain (a) is between 0.04 in. (1 mm) and 0.08 in. (2 mm).
- ▶ Once the chain is properly tensioned, lift the guide bar tip and tighten the nut to secure the chain sprocket cover.
- ▶ Finally, ensure that the distance between the underside of the guide bar and the chain (a) is between 0.04 in. (1 mm) and 0.08 in. (2 mm).

NOTICE

- Always release tension on the chain after finishing work. The chain contracts as it cools down. If it is not slackened, it can damage the drive shaft and bearings. Properly re-tension the chain before using the pole pruner again.

14.10 Lubricating the Saw Chain and Guide Bar

14.10.1 Bar and Chain Lubricant

WARNING

- Never operate your pole pruner without bar and chain lubrication. If the chain runs dry, the cutting attachment will be damaged beyond repair within a very short time. A damaged chain may break, resulting in severe or fatal personal injury. Always check chain lubrication and the oil level in the tank before starting work and periodically during work.

WARNING

- Never use waste oil to lubricate your saw chain and guide bar. Repeated contact with waste oil can cause skin cancer. Moreover, waste oil is environmentally harmful.

Bar and chain oil lubricates and cools the rotating saw chain. The service life of the chain and guide bar depends on the quality of the lubricant. It is therefore essential to use only a specially formulated chain lubricant.

- For automatic and reliable lubrication of the chain and guide bar, use only an environmentally compatible quality chain and bar lubricant. STIHL recommends using rapidly biodegradable STIHL BioPlus.

NOTICE

- Biodegradable chain oil must be resistant to aging, since it will otherwise quickly turn to resin. This results in hard deposits that are difficult to remove, especially in the area of the chain drive and chain. It may even cause the oil pump to seize.



NOTICE

- Waste oil does not have the necessary lubricating properties and is unsuitable for chain lubrication.

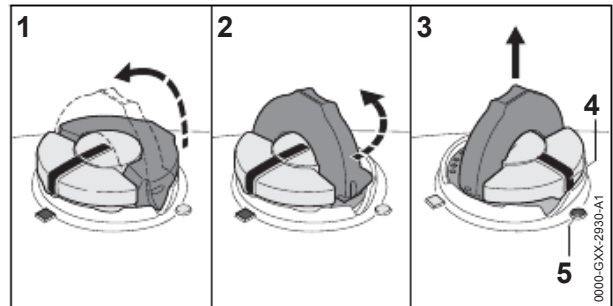
14.10.2 Filling the Chain Oil Tank

Opening and Filling the Chain Oil Tank

To fill the chain oil tank:

- Switch off the pole pruner,  16.2.
- Remove the battery,  15.2.
- Position the pole pruner on a level surface with the oil filler cap facing upwards.

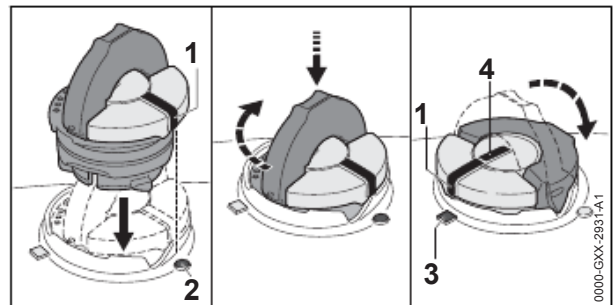
- Clean the area around the oil filler cap with a slightly dampened cloth.



- Flip up the grip and press the cap down firmly (1).
- Turn the cap slowly counter-clockwise (2) to the open position (3). In the open position, the exterior positioning mark (4) on the cap will line up with the symbol (5) on the chain oil tank housing
- Remove the cap and fill the tank with bar and chain oil.
- Take care not to spill bar and chain oil while refilling the tank.
- Do not overfill the tank. Leave approximately 0.5 in. (13 mm) of air space.

Closing

To close the tank:





- Raise the grip on the top of the cap until it is upright at a 90° angle. Insert the cap in the chain oil tank opening with the exterior positioning mark (1) lined up with the open symbol (2) on the chain oil tank housing.
- Using the grip, press the cap down firmly while turning it clockwise to the closed position (approximately 1/4 turn). In the closed position, the interior (4) and exterior (1) positioning marks will align with the closed symbol (3) on the chain oil tank housing.
- Fold the grip flush with the top of the cap and check for tightness.
- If the grip does not lie completely flush with the cap or the detent on the grip does not fit in the corresponding recess in the tank opening, or if the cap is loose, the cap is not properly seated and you must repeat the above steps.


15 Inserting and Removing the Battery

15.1 Inserting the Battery

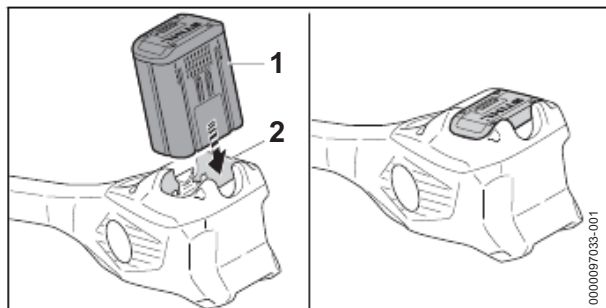
WARNING

- Never use a malfunctioning, damaged, cracked, leaking or deformed battery,  8. Never charge, use or store the battery outside the specified ambient temperature limits,  25.6.


WARNING

- To reduce the risk of unintended activation, never store the battery in the pole pruner,  9.1.

To insert the battery:



- Insert the battery (1) into the battery compartment (2) until it stops. The battery is properly inserted when you hear an audible click. In this position, there is electrical contact between the battery and the pole pruner.

Since a new battery is not fully charged, STIHL recommends that you fully charge the battery before using it the first time,  11.

15.2 Removing the Battery

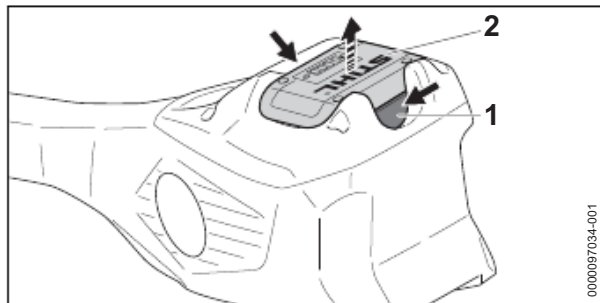
WARNING

- To reduce the risk of severe personal injury from unintended activation, always remove the battery before assembling, transporting, adjusting, cleaning, servicing, maintaining or storing the pole pruner, and any other time it is not in use.

WARNING

- Use care when ejecting the battery to prevent it from falling and causing personal injury or property damage.

- To remove the battery:
- Release the trigger switch.



- Compress the locking levers (1) to eject the battery (2) from the battery compartment.



NOTICE

- Avoid exposing the battery to excessive heat or prolonged periods of direct sunlight. Use or storage outside the recommended ambient temperature range can reduce the performance of the battery.

16 Switching the Pole Pruner On and Off

16.1 Switching On

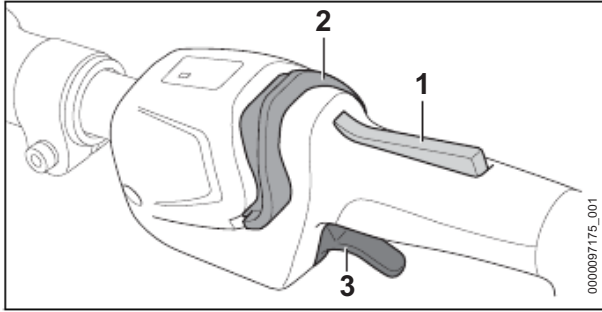
WARNING

- Never operate your pole pruner if it is modified, damaged, improperly adjusted or maintained, not completely and securely assembled or not functioning properly,  6.4. To reduce the risk of personal injury, always wear proper clothing and protective apparel, including proper eye protection, when operating your pole pruner,  6.3.

Before switching on:

- Make sure other persons are out of the general work area.
- Make sure you have a secure and firm footing.
- Stand upright.
- Always hold and operate the pole pruner with one hand firmly on the control handle and with the other hand firmly on the front handle.

To switch the pole pruner on:



- ▶ Depress and hold the trigger switch lockout (1).
- ▶ While holding the trigger switch lockout, push the retaining latch (2) forward with your thumb and release it.
The LED glows.
- ▶ Squeeze the trigger switch (3) with your index finger.
The saw chain will start rotating.

You can also unlock the trigger switch by pushing the retaining latch forward and depressing the trigger switch lockout within 5 seconds (as long as the LED is flashing). Squeeze the trigger switch with your index finger to start the saw chain.

The motor will not switch on unless the trigger switch lockout is depressed, the retaining latch has been pushed forward and the trigger switch has been pressed.

If the trigger switch and the trigger switch lockout are released, the LED will remain flashing for approximately 5 seconds. As long as the LED is flashing, the pole pruner can again be switched on without pushing the retaining latch forward.

The further the trigger switch is squeezed, the faster the saw chain will rotate.

16.2 Switching Off

WARNING

- The saw chain will continue to rotate for a short while after the trigger switch is released. To avoid serious or fatal injury, avoid contact with the moving saw chain. To reduce the risk of personal injury from unintended activation or unauthorized use, switch off the motor, ensure the chain has stopped and remove the battery before transporting the pole pruner or putting it down.

To switch the pole pruner off:

- ▶ Release the trigger switch and trigger switch lockout so that the trigger switch springs back to the locked position. In the locked position,

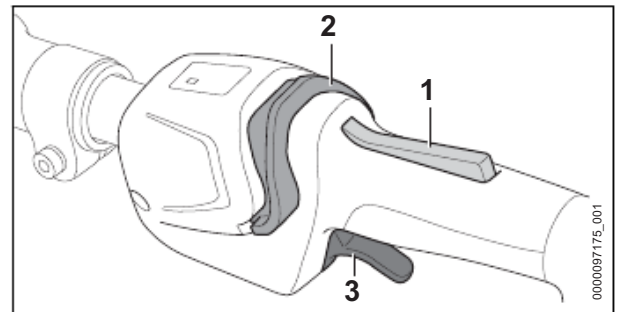
activation of the trigger switch is blocked by the trigger switch lockout. Activation of the pole pruner is also electronically blocked by the retaining latch once the LED stop flashing (after approximately 1 second).

The saw chain will continue to move for a short time after the trigger switch is released. Take care to avoid contact after releasing the trigger switch and when setting down the pole pruner.

17 Checking the Pole Pruner


17.1 Testing the Controls

Before starting work, confirm that the trigger switch lockout (1), retaining latch (2) and trigger switch (3) are undamaged and functioning properly.



Trigger Switch Lockout (1), Retaining Latch (2) and Trigger Switch (3)

WARNING

- To reduce the risk of serious or fatal injuries, keep hands, feet and other parts of the body away from the chain. Do not touch the saw chain while the battery is inserted. Never touch moving chain with your hand or any part of your body,  6.5.2. Keep bystanders at least 50 ft. (15 m) out of the area while testing the controls.

To test the controls:

- ▶ Remove the battery.
- ▶ Attempt to depress the trigger switch.
If the trigger switch can be depressed without first unlocking the retaining latch, take the pole pruner to an authorized STIHL servicing dealer to be repaired before use.
- ▶ Press down on the trigger switch lockout and push the retaining latch forward. Make sure they move freely and spring back into place when released.
- ▶ Insert the battery.



- ▶ Hold the pole pruner firmly with one hand on the control handle and with the other hand firmly on the front handle. Depress and hold the trigger switch lockout, push the retaining latch forward with your thumb and squeeze the trigger switch with your index finger. The pole pruner should switch on. If it does not, take the pole pruner to an authorized STIHL servicing dealer to be repaired before use.
- ▶ Release the trigger switch. The pole pruner should switch off. If the pole pruner does not switch off after you release the trigger switch, remove the battery and take the pole pruner to an authorized STIHL servicing dealer to be repaired before use.

17.2 Testing Chain Lubrication

WARNING

- Never operate your pole pruner without bar and chain lubrication. If the chain runs dry, the cutting attachment will be damaged beyond repair within a very short time. A damaged chain may break, resulting in severe or fatal personal injury. Always check chain lubrication and the oil level in the tank before starting work and periodically during work.

To confirm that the chain oil is flowing properly:

- ▶ Insert the battery,  15.1.
- ▶ Point the guide bar toward a bright surface.
- ▶ Switch on the pole pruner,  16.1. The chain should throw off a small amount of oil. If the chain oil cannot be seen, check the oil level and refill the tank as necessary.
- ▶ Test the chain lubrication again.
- ▶ If chain lubrication oil is still not visible, the lubrication mechanism is not functioning. Take the pole pruner to an authorized STIHL servicing dealer to be repaired before use.

18 During Operation



18.1 Adjusting the Length of the Drive Tube (HTA 160.0 only)

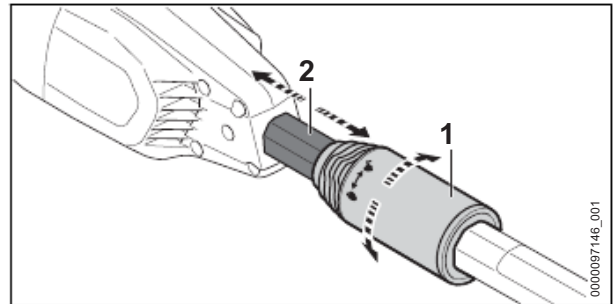
WARNING


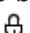

- To reduce the risk of injury from loss of control, ensure that the drive tube is properly adjusted and engaged in the locked position before starting work.

The length of the drive tube can be adjusted to suit the height and reach of the operator.



To adjust the length of the drive tube:

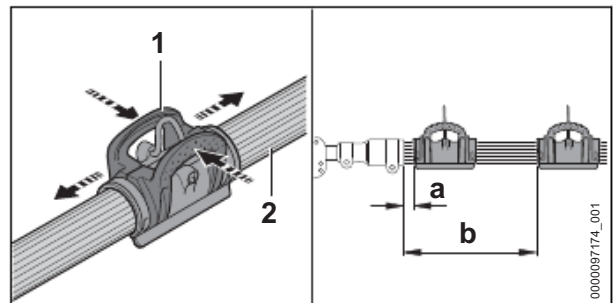
- ▶ Switch off the pole pruner,  16.2.
- ▶ Remove the battery,  15.2.
- ▶ Hold the drive tube firmly.



- ▶ Unlock the drive tube (2) by turning the clamping nut (1) a half turn in the direction .
- ▶ Adjust the drive tube length by sliding it into the desired position.
- ▶ Lock the drive tube by turning the clamping nut in the direction  and tightening it.
- ▶ Confirm that the drive tube is fixed in place.
- ▶ If the drive tube still can be moved: Lock the drive tube by turning the clamping nut in the direction  and tightening it until the drive tube is fixed in place.

18.2 Align the Harness Clip (HTA 160.0 only)

- ▶ Switch off the pole pruner,  16.2.
- ▶ Remove the battery,  15.2.





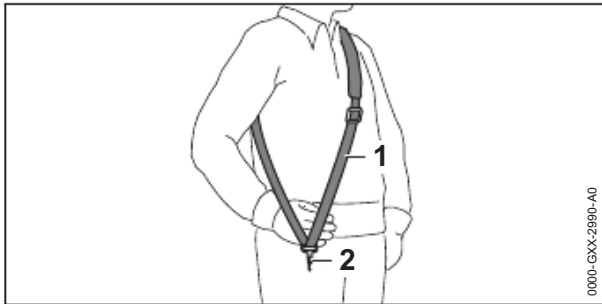
- ▶ Press the harness clip (1) together and move it on the grip hose (2) to achieve the following dimensions:
 - If the drive tube is fully retracted: a = 6 in. (15 cm).
 - If the drive tube is fully extended: b = 20 in. (50 cm).

18.3 Adjusting the Harness

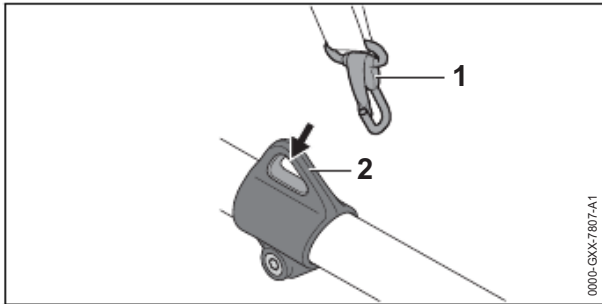
18.3.1 Putting on and Adjusting the Shoulder Strap (HTA 150.0 only)

To fit and adjust the harness:

- ▶ Switch off the pole pruner,  16.2.
- ▶ Remove the battery,  15.2.
- ▶ Put the shoulder strap over your shoulder.





- ▶ Adjust the length of the shoulder strap (1) so that the carabiner (2) is about a hand's width below the top of your hip.

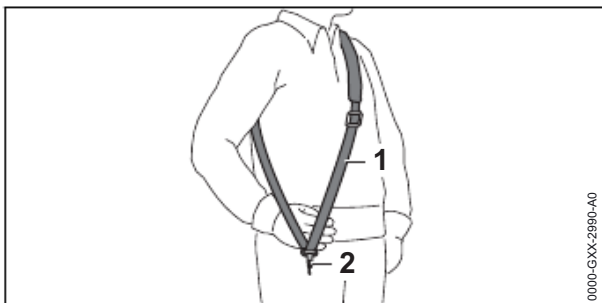


- ▶ Attach the carabiner (1) to the carrying ring (2) on the pole pruner.

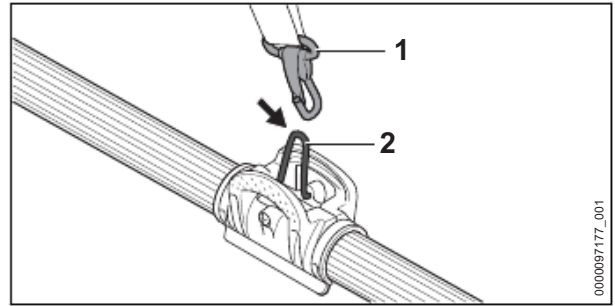
18.3.2 Putting on and Adjusting the Shoulder Strap (HTA 160.0 only)

To fit and adjust the harness:

- ▶ Switch off the pole pruner,  16.2.
- ▶ Remove the battery,  15.2.
- ▶ Put the shoulder strap over your shoulder.





- ▶ Adjust the length of the shoulder strap (1) so that the carabiner (2) is about a hand's width below the top of your hip.



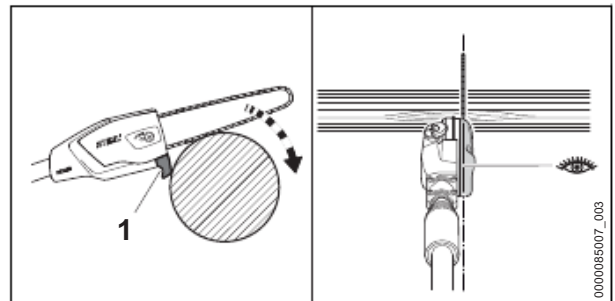
- ▶ Attach the carabiner (1) to the harness clip (2) on the pole pruner.

18.4 Limbing

WARNING

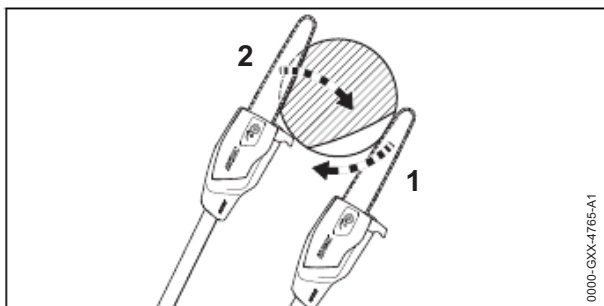
- To reduce the risk of severe or even fatal injury from falling objects:
 - Do not cut vertically above your body. Hold the pole pruner at an angle of not more than 60° from the horizontal level. Objects may fall in unexpected directions. Do not stand directly underneath the limb being cut,  6.5.4.
 - Watch for falling limbs. As soon as the limbed branch starts to fall, step aside and keep a sufficient distance away,  6.5.4.
- ▶ To allow branches to free fall, always cut the lower branches first.

Cross-cut



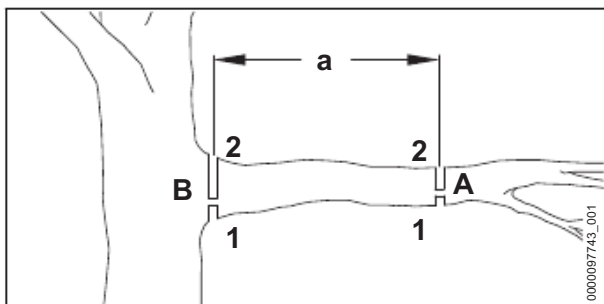
- ▶ Position the hook (1) against the branch. The limbing sight helps the operator position the bar and chain for the cut.
- ▶ Cut the branch at full throttle with the bottom side of the guide bar, keeping the tip of the bar free of other limbs, the ground and any leafy materials.

Relieving Cut



- ▶ If the limb is under tension: Make a relieving cut (1) on the underside and then perform the cross-cut (2) from the tension side.

Cutting thick branches



- ▶ Shorten the branch by performing a relieving cut (1) and then a cross-cut (2) at cutting point (A) at a distance $a = 8$ in. (20 cm) from where the flush-cut will be made (B).
- ▶ Carry out the flush-cut, starting with a relieving cut (1) and finishing with a cross-cut (2) at cutting point (B).

For optimum performance, observe the recommended ambient temperature ranges, [15.7](#).

19 After Finishing Work

19.1 Preparing for Transportation or Storage



WARNING

- To reduce the risk of personal injury from unintended activation or unauthorized use, switch off the pole pruner and remove the battery before transporting the pole pruner or putting it down. To reduce the risk of injuries from the sharp cutters on the chain, always cover the guide bar with the chain scabbard before transporting or storing the pole pruner.

To prepare the pole pruner for transportation or storage:

- ▶ Switch off the pole pruner, [16.2](#).
- ▶ Remove the battery, [15.2](#).

- ▶ Adjust the drive tube to its shortest length, [18.1](#)
- ▶ Loosen the chain.
- ▶ Slide a chain scabbard over the guide bar so that it covers the entire guide bar.
- ▶ If the battery or pole pruner became damp or wet during operation, allow them to dry separately and completely before charging or storing, [25.7](#).
- ▶ Before using the pole pruner, remember to re-tension the chain.

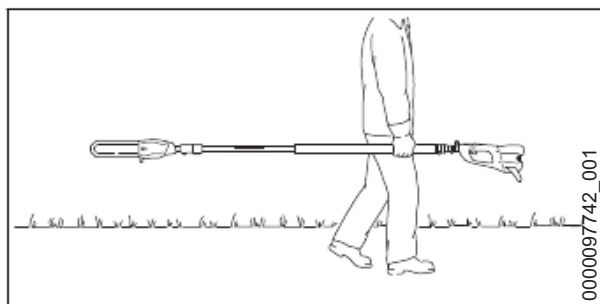
NOTICE

- The chain contracts as it cools down. Failing to loosen the chain after finishing work can damage the drive shaft and bearings.

20 Transporting the Pole Pruner and Battery

20.1 Pole Pruner

When transporting the pole pruner:



- ▶ Slide a chain scabbard over the guide bar so that it covers the entire guide bar.
- ▶ When transporting the pole pruner by hand, hold the drive tube in a manner that balances the pole pruner horizontally. Keep the cutting attachment behind you.
- ▶ When transporting the pole pruner in a vehicle, cover the guide bar with a chain scabbard. Secure and position the pole pruner to prevent turnover, impact and damage.

Your pole pruner comes standard with a chain scabbard that matches the cutting attachment. If you use guide bars of different lengths on the pole pruner, the length of the chain scabbard must be matched to the guide bar to reduce the risk of injury. It should cover the full length of the guide bar.

20.2 Battery



WARNING

- To reduce the risk of a short circuit, which could lead to electric shock, fire and explosion, never transport the battery with small metal objects capable of conducting electricity (e.g., paper clips, nails, coins, keys), 8.

When transporting the battery:

- ▶ Secure the battery in a container against impact or damage. Never transport the battery with small metal objects capable of conducting electricity (e.g., paper clips, nails, coins, keys).
- ▶ If you are transporting the battery in a vehicle, secure it and its container to prevent turnover, impact and damage.

STIHL batteries comply with the requirements set forth in UN-Manual of Tests and Criteria, Part III, Subsection 38.3.

Commercial air, vessel and ground transportation of lithium ion cells and batteries is regulated. The battery is classified as a UN 3480, Class 9, packaging group II product. Shipping it, either as a complete tool or the battery, requires compliance with all applicable shipping regulations. Check with the ground, vessel, air cargo or passenger airline to determine if transport is prohibited or subject to restrictions or exemptions prior to shipping or travel.

Normally, no further conditions have to be met by the user in order to transport STIHL batteries by road to the power tool's operating site. Check and comply with any special regulations that may apply to your situation.

For further information please go to www.stihl-usa.com/battery-transportation-safety.

21 Storing the Pole Pruner and Battery

21.1 Pole Pruner



WARNING

- Store the pole pruner indoors in a dry, secure place that cannot be accessed by children or other unauthorized users, 6.4. Never store the battery in the pole pruner. Improper storage can result in unauthorized use and damage to the pole pruner, 6.4.

When storing the pole pruner for thirty days or longer:

- ▶ Remove any wood chips or debris from the battery compartment.
- ▶ Remove the chain and guide bar.
- ▶ Clean and spray the guide bar with a resin solvent, such as STIHL Resin Remover and Lubricant.
- ▶ Clean the pole pruner, 22.1.
- ▶ Fill up the chain oil tank, 14.10.2.
- ▶ Secure and position the pole pruner to prevent turnover, impact and damage.
- ▶ Store the pole pruner indoors in a dry and secure location, out of the reach of children and other unauthorized persons.

21.2 Battery



WARNING

- To reduce the risk of a short circuit, which could lead to electric shock, fire and explosion, never store the battery with small metal objects capable of conducting electricity (e.g., paper clips, nails, coins, keys), 8. If the battery is damp or wet, allow it to dry thoroughly before storing, 8.



WARNING

- Extreme temperatures can damage the battery and may also cause the battery to generate heat, rupture, leak, ignite or explode, resulting in severe or fatal personal injury or property damage. Never charge, use or store the battery outside the specified ambient temperature limits, 25.6.

To properly store the battery:

- ▶ Remove the battery from the pole pruner.
- ▶ When storing the battery, maintain a charge of 40 % to 60 % for STIHL AP series batteries and a charge of 30 % to 45 % for STIHL AR series batteries (2 green LEDs).
- ▶ If storing the battery in the charger, disconnect the charger from the outlet.
- ▶ Make sure the battery is dry and store it indoors in a dry and secure location.
- ▶ Keep it out of the reach of children and other unauthorized persons.
- ▶ Protect the battery against dampness and corrosive agents such as garden chemicals and de-icing salts.
- ▶ Protect the battery from exposure to conductive liquids such as salt water.

- ▶ For maximum battery life, store the battery at an ambient temperature between 50 °F and 68 °F (10 °C and 20 °C) with a charge between 40 % and 60 % for STIHL AP series batteries and a charge of 30 % to 45 % for STIHL AR series batteries (2 green LEDs).
- ▶ Do not leave spare batteries unused. Use them in rotation.


NOTICE

- A battery that is not stored properly may experience deep discharge, which can result in permanent damage. To avoid deep discharge:
 - Remove the battery from the pole pruner after finishing work.
 - For maximum battery life, store the battery with a charge between 40 % and 60 % for STIHL AP series batteries and a charge of 30 % to 45 % for STIHL AR series batteries (2 green LEDs).
 - If storing the battery in the charger, disconnect the charger from the outlet.
 - For maximum battery life, store the battery at an ambient temperature between 50 °F and 68 °F (10 °C and 20 °C).

22 Cleaning

22.1 Cleaning the Pole Pruner and Battery

! WARNING


- To reduce the risk of personal injury from unintended activation, remove the battery before carrying out any cleaning work,  9. Users of this pole pruner should carry out only the cleaning described in this manual.

To clean the pole pruner and battery:


- ▶ Clean the pole pruner's polymer components with a slightly dampened cloth. Do not use detergents or solvents. They may damage the polymer components.
- ▶ Remove the sprocket cover and clean the area around the chain sprocket with a slightly dampened cloth or resin solvent, such as STIHL Resin Remover & Lubricant.
- ▶ Do not use a pressure washer to clean the pole pruner or otherwise spray it with water or other liquids.
- ▶ Keep the battery housing and guides free from foreign matter and clean as necessary with a soft brush or soft, dry cloth.

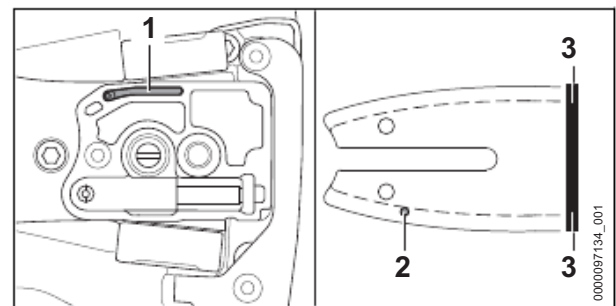
22.2 Cleaning the Guide Bar and Saw Chain

! WARNING

- To reduce the risk of personal injury from unintended activation, remove the battery before carrying out any cleaning work,  9. Users of this pole pruner should carry out only the cleaning described in this manual. To help prevent injuries, always wear heavy-duty work gloves when handling the chain.

To properly clean the guide bar and chain:



- ▶ Remove the guide bar and the chain,  14.8.2.

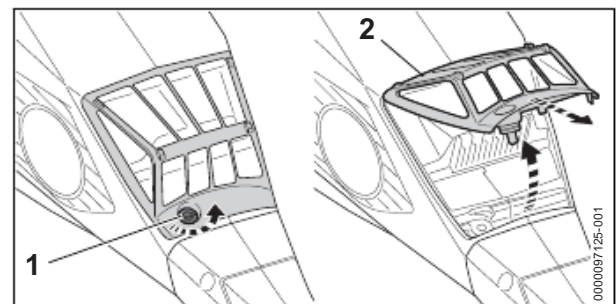


- ▶ Clean the oil outlet duct (1), oil inlet bore (2) and groove (3) with a brush, a slightly dampened cloth or resin solvent, such as STIHL Resin Remover & Lubricant. Do not use detergents.
- ▶ Clean the chain with a brush, a slightly dampened cloth or resin solvent. Do not use detergents.
- ▶ Do not use a pressure washer to clean the guide bar or chain or otherwise spray them with water or other liquids.

22.3 Cleaning the Air Filter

To clean the air filter:

- ▶ Switch off the power tool,  16.2.
- ▶ Remove the battery,  15.2.



- ▶ Clean the area around the air filter (2) with a damp cloth or soft brush.
- ▶ Turn the screw (1) counterclockwise until the air filter can be removed.

- ▶ Remove the air filter by lifting it up and pulling it off.
- ▶ Rinse away coarse dirt from the outside of the air filter under running water. Never spray the air filter with a pressure washer.
- ▶ If the air filter is damaged, replace it.
- ▶ Allow the air filter to air dry.
- ▶ After the air filter has dried thoroughly, push it into place by hand.
- ▶ Tighten the screw.

23 Inspection and Maintenance

23.1 Inspecting and Maintaining the Pole Pruner



WARNING

- To reduce the risk of personal injury from unintended activation, remove the battery before inspecting the pole pruner or carrying out any maintenance, [19](#). Carry out only the maintenance operations described in this manual. There are no user-authorized repairs. STIHL recommends that repair work be performed by authorized STIHL servicing dealers.

Proper maintenance of the pole pruner includes the following activities:

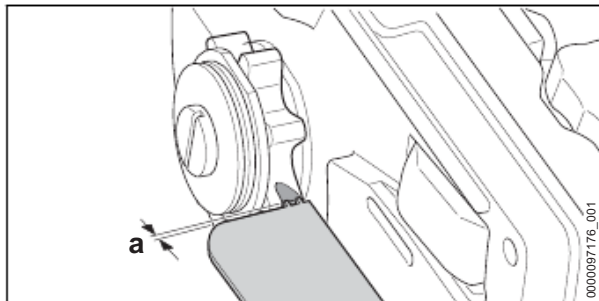
- ▶ Cleaning the air filter every 50 hours of operation.
- ▶ Inspecting the chain sprocket periodically and having a worn chain sprocket replaced by an authorized STIHL servicing dealer.
- ▶ Inspecting the guide bar for proper groove depth and spread and replacing the guide bar if it shows signs of excessive wear or damage.
- ▶ Periodically sharpening the chain, maintaining the depth limiting guides at the appropriate height and replacing the saw chain when indicated by the relevant wear marks or when the chain is damaged or shows signs of excessive wear.
- ▶ Having worn, missing or damaged safety labels replaced by an authorized STIHL servicing dealer.

If you make a warranty claim for a component which has not been serviced or maintained properly, coverage may be denied.

23.2 Inspecting and Maintaining the Chain Sprocket

- ▶ Switch off the pole pruner and remove the battery.

- ▶ Remove the chain sprocket cover, saw chain and guide bar.



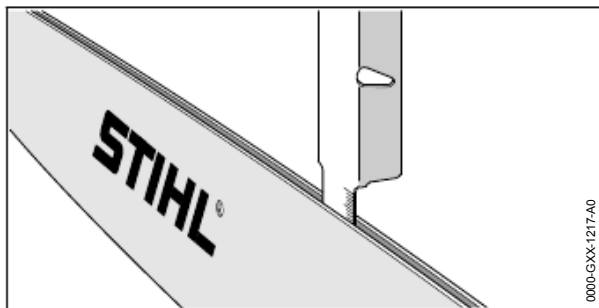
- ▶ Check the chain sprocket cover for wear marks.
- ▶ If the wear marks are deeper than $a = 0.020$ in. (0.5 mm), have the chain sprocket replaced.

STIHL recommends using genuine STIHL chain sprockets.

Alternating between two chains helps reduce wear to the chain sprocket.

23.3 Inspecting and Maintaining the Guide Bar

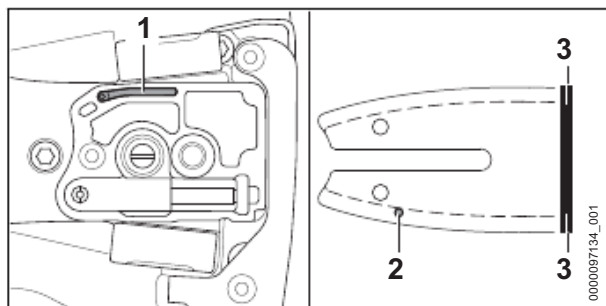
- ▶ Switch off the pole pruner and remove the battery.
- ▶ Remove the guide bar and saw chain, [14.8.2](#).



- ▶ Measure the depth of the guide bar groove in the area with the greatest wear using the measuring tool on the file gauge (special accessory, not included).
- ▶ Replace the guide bar if the measured depth is less than the required minimum depths stated in [25.4](#).
- ▶ Check the spread of the guide bar groove with the measuring tool on the file gauge.
- ▶ Replace the guide bar if the groove is narrowed, spread or shows other signs of substantial wear or damage.

To maintain the guide bar:

- ▶ Flip the guide bar after each sharpening and each time the chain is changed. This will help reduce uneven wear. There is no "top" or "bottom" of the bar. It may be used in either orientation, even though the printing on the bar may be upside down.



- ▶ Clean the oil outlet duct (1), oil inlet bore (2) and groove (3) with a brush, a slightly dampened cloth or resin solvent, such as STIHL Resin Remover & Lubricant. Do not use detergents.
- ▶ Periodically remove any metal burrs that develop along the guide bar with a flat file or a STIHL guide bar dressing tool.
- ▶ Replace the guide bar if the burrs cannot be filed or if the guide bar becomes damaged.

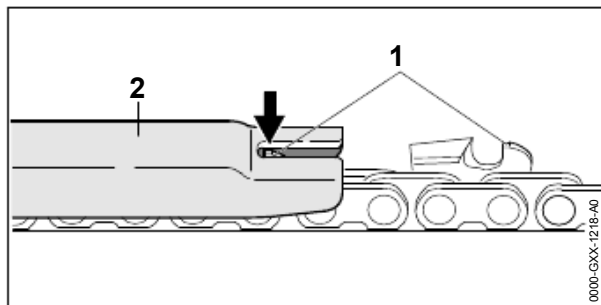
23.4 Inspecting, Maintaining and Sharpening the Saw Chain

WARNING

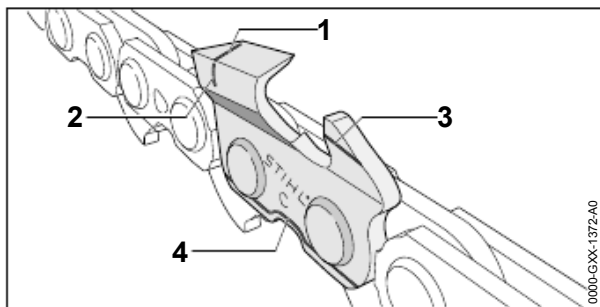
- An improperly sharpened chain can increase the risk of kickback and other reactive forces, resulting in severe personal injury or death. For example, depth gauges that are too low or cutters that are filed incorrectly can increase the kickback tendency of the pole pruner and can increase kickback forces, making it more difficult to control the pole pruner. Always review and follow the sharpening angles and dimensions recommended by STIHL when checking or sharpening the chain.

WARNING

- Never use a dull or damaged chain. This leads to increased physical strain, increased vibration load, unsatisfactory cutting results and increased wear. If the chips from cutting are fine, more like saw dust than wood chips, the chain likely is dull.
- ▶ Switch off the pole pruner and remove the battery.



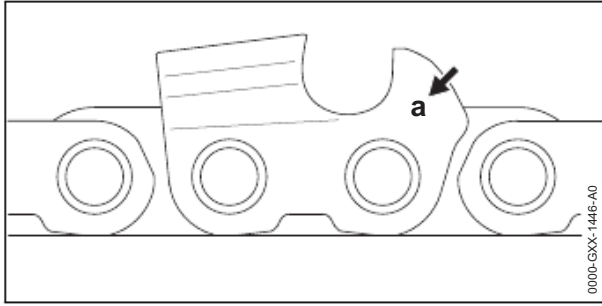
- ▶ Check the height of the depth gauge (1) with a STIHL file gauge (2) matching the pitch of the chain.
- ▶ If the depth gauge protrudes higher than the file gauge, file the depth gauge to the appropriate height.
- ▶ Work carefully. Filing the depth gauges too low will increase reactive forces. If the depth gauges have been filed too low, have the chain sharpened or replaced by an authorized STIHL dealer.



STIHL chain is manufactured with wear marks to help the operator identify excessive wear. The wear marks depicted above (1 - 4) must remain visible.

- ▶ Replace the chain if any wear marks are no longer visible.
- ▶ Check the 30° sharpening angle of the cutters with a STIHL file gauge matching the pitch of the chain.
- ▶ If the sharpening angle is incorrect, file the cutters to a 30° angle.
- ▶ If you are unable to achieve the proper angle, or suspect you have not achieved the proper angle, have the chain sharpened by an authorized STIHL servicing dealer.

An improperly filed chain can be very dangerous. It can increase the potential for reactive forces, including kickback, and also increase the magnitude of those reactive forces.



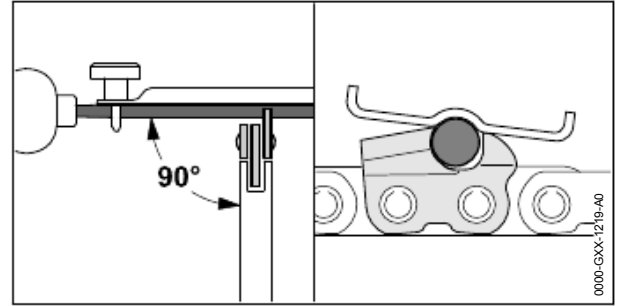
The chain pitch marking (a) is embossed in the area of the depth gauge of each cutter.

The markings mean the following:

Marking (a)	Saw Chain Pitch
1	1/4"
2	.325"
3	3/8"
4	.404"
6	3/8" PICCO
7	1/4" PICCO

To sharpen the chain:

- ▶ Switch off the pole pruner and remove the battery.
- ▶ Select a chain file with a diameter matching the pitch of the chain. Other files are unsuitable and can result in improperly filed chain, which can increase the potential and force of kickback and other reactive forces.
- ▶ Clamp the guide bar if necessary to make filing easier.
- ▶ Use a file holder. File holders have markings that indicate the proper sharpening angle.
- ▶ File all the cutters with an identical angle. Two or three strokes of the file are usually sufficient for simple reshaping. Remove a little material with each stroke. Sharpening at varying or inconsistent angles or heights can be very dangerous and may result in rough or uneven running of the chain and increased wear, even to the point of chain breakage. It also can increase the tendency and force of kickback and other reactive forces.



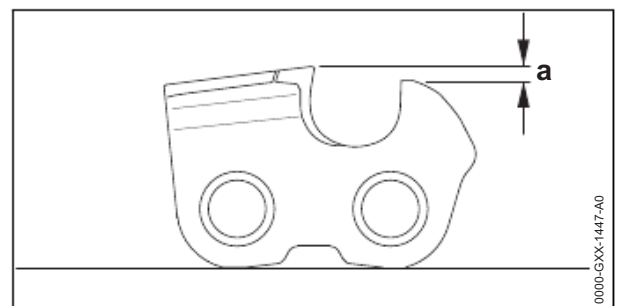
- ▶ Guide the file horizontally at a right angle to the side surface of the guide bar in accordance with the specified angle.
- ▶ File only from the inside of the cutter outward.
- ▶ Lift the file on the backstroke. The file only sharpens on the forward stroke.
- ▶ Do not file tie straps or drive links.
- ▶ Periodically rotate the file in order to avoid uneven wear.
- ▶ To remove a file burr from the cutter tooth, run the cutter across a piece of hardwood.
- ▶ Check the sharpening angle with a file gauge.

All cutters must be of equal length and filed down to the length of the shortest cutter. Otherwise, the tendency and force of kickback and other reactive forces will increase.

STIHL recommends having your chain sharpened by an authorized STIHL servicing dealer to reduce the risk of severe or fatal injury from an improperly sharpened chain.


WARNING

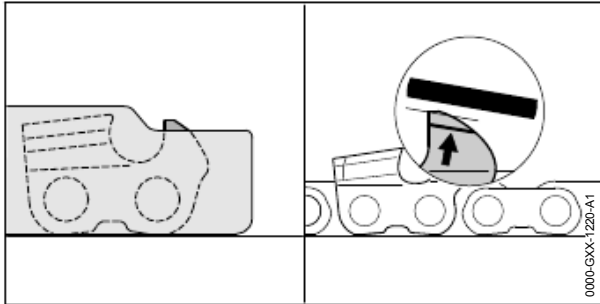
- Depth gauges that are too low increase the potential and force of kickback and other reactive forces, which can increase the risk of serious personal injury. Always maintain the proper distance between the depth gauge and the top of the cutter (a).



The depth gauge determines the depth to which the cutter penetrates the wood and thus the chip thickness.

A depth gauge that is too low will increase the kickback tendency of the pole pruner and can increase kickback forces.

A depth gauge that is too high will prevent the cutter from entering the workpiece and will lead to poor cutting performance. Always keep the required distance between depth gauge and cutting edge (a),  25.5.














To properly lower the depth gauge:

24 Troubleshooting Guide

24.1 Pole Pruner and Battery

Always remove the battery before carrying out any inspection, cleaning or maintenance.

Condition	LEDs on Battery	Possible Cause	Remedy
Pole pruner does not start when switched on.		No electrical contact between pole pruner and battery.	<ul style="list-style-type: none"> ▶ Remove the battery,  15.2. ▶ Visually check the electrical contacts in the battery compartment and on the battery. ▶ Reinsert the battery,  15.1.
	1 LED flashes green. STIHL AR only: Additionally, four long beeps are emitted.	Battery has low charge.	<ul style="list-style-type: none"> ▶ Charge the battery,  11.
	1 LED glows red.	Battery too hot / too cold.	<ul style="list-style-type: none"> ▶ Allow the battery to warm up or cool down gradually at ambient temperatures of about 50 °F to 68 °F (10 °C to 20 °C).
	4 LEDs flash red. STIHL AR only: Additionally, a rapid succession of short beeps is emitted.	Malfunction in battery.	<ul style="list-style-type: none"> ▶ Remove the battery and reinsert it,  15. ▶ Switch on the pole pruner,  16.1. ▶ If the LEDs continue to flash, do not attempt to use. The battery has a malfunction and must be replaced.
	3 LEDs glow red.	Pole pruner too hot.	<ul style="list-style-type: none"> ▶ Allow the pole pruner to cool down.
	3 LEDs flash red.	Malfunction in pole pruner.	<ul style="list-style-type: none"> ▶ Remove the battery and reinsert it,  15 ▶ Switch on the pole pruner,  16.1. ▶ If the LEDs still flash, do not attempt to use. The pole pruner has a malfunction and must be checked by a servicing dealer.

Condition	LEDs on Battery	Possible Cause	Remedy
Pole pruner cuts out during operation.	1 LED glows red.	Battery too hot / too cold.	<ul style="list-style-type: none"> ▶ Remove the battery,  15.2. ▶ Allow the pole pruner and battery to cool down gradually at ambient temperatures of about 50 °F to 68 °F (10 °C to 20 °C).
	3 LEDs glow red.	Pole pruner too hot.	
Run-time is too short.		Battery not fully charged.	▶ Charge the battery,  11.
		Useful life of battery has been reached or exceeded.	▶ Have the battery checked by an authorized STIHL servicing dealer.
During sawing, the wood smokes or smells burnt.		The chain is dull or improperly sharpened.	▶ Properly sharpen the chain,  23.4.
		Working technique is improper or the pole pruner is being misused.	▶ Obtain instruction on proper working technique.
		Insufficient bar and chain oil.	▶ Have the chain lubrication mechanism checked by an authorized STIHL servicing dealer.
Battery is not being charged even though LED on charger glows green.	1 LED glows red.	Battery too hot / too cold.	<ul style="list-style-type: none"> ▶ Allow the battery to warm up or cool down gradually at ambient temperatures of about 50 °F to 68 °F (10 °C to 20 °C). ▶ Read and follow the warnings and instructions in your charger's manual. For optimum performance, observe the recommended ambient temperature ranges,  25.7.

25 Specifications

25.1 STIHL HTA 150.0

- Approved battery types:
 - STIHL AP series
 - STIHL AR series
- Weight without battery: 10.4 lbs. (4.7 kg)
- Maximum oil tank volume: 7.4 oz. (0.22 l)

For technical information regarding the STIHL AP and AR series batteries, see the product information accompanying your battery.

For technical information regarding the STIHL AL 101, 301, 301-4 and 500 series chargers, see the product information accompanying your charger.

Batteries, chargers and other accessories sold separately. Contact your authorized STIHL servicing dealer for pricing and availability.

25.2 STIHL HTA 160.0

- Approved battery types:
 - STIHL AP series
 - STIHL AR series
- Weight without battery: 15.2 lbs. (6.9 kg)

- Maximum oil tank volume: 7.4 oz. (0.22 l)

For technical information regarding the STIHL AP and AR series batteries, see the product information accompanying your battery.

For technical information regarding the STIHL AL 101, 301, 301-4 and 500 series chargers, see the product information accompanying your charger.

Batteries, chargers and other accessories sold separately. Contact your authorized STIHL servicing dealer for pricing and availability.

25.3 Chain Sprockets

The following chain sprockets are available for this model pole pruner:

- 7-tooth for 3/8" PICCO pitch

25.4 Minimum Groove Depth of Guide Bars

The minimum groove depth of a guide bar depends on the pitch of the guide bar.

- Minimum groove depth for 3/8" PICCO pitch guide bars: 0.197 in. (5 mm)

25.5 Depth Gauge Setting

The depth gauge setting of a saw chain depends on the pitch of the chain.

- Depth gauge setting for 3/8" PICCO pitch chains: 0.026 in. (0.65 mm)

25.6 Ambient Temperature Limits

WARNING

- Extreme temperatures can damage the battery and may also cause it to generate heat, rupture, leak, ignite or explode, resulting in severe or fatal personal injury or property damage. Never charge, use or store the battery outside the ambient temperature limits specified below.
 - Do not charge the battery below - 4 °F (- 20 °C) or above 122 °F (50 °C).
 - Do not use the pole pruner or battery below - 4 °F (- 20 °C) or above 122 °F (50 °C).
 - Do not store the pole pruner or battery below - 4 °F (- 20 °C) or above 158 °F (70 °C).

25.7 Ambient Temperature Recommendations

For optimum performance, observe the following ambient temperature ranges for the pole pruner and battery:

- Charging: 41 °F to 104 °F (5 °C to 40 °C)
- Use: 14 °F to 104 °F (- 10 °C to 40 °C)
- Storage: - 4 °F to 122 °F (- 20 °C to 50 °C)













Charging, using or storing the battery outside the recommended ambient temperature ranges may reduce performance.

If the battery became damp or wet during operation, allow it to dry at least 48 hours at temperatures between 59 °F (15 °C) and 122 °F (50 °C) and relative humidity below 70 % before charging or storing. Higher humidity can extend the drying time.

25.8 Symbols on the Pole Pruner

Symbol	Explanation
V	Volt
Hz	Hertz
A	Ampere
Ah	Ampere hour
W	Watt
Wh	Watt hour

Symbol	Explanation
AC	Alternating current
IPX4	Protection against spraying or splashing water from all directions.

-  Power symbol on the retaining latch.
-  Engage the clamping nut
-  Disengage the clamping nut
-  Chain oil tank
-  Direction of saw chain rotation
-  Turn clockwise to tension the saw chain
-  STIHL products must not be disposed of in the household trash, but only in accordance with local, state and federal laws and regulations and as provided in this manual,  29.
-  Direct current
-  Number of cells and stored energy according to cell manufacturer's specification. Usable energy will be less.
-  The RBRC seal indicates that STIHL has prepaid for battery recycling.
-  Read the manual

25.9 Engineering Improvements

STIHL's philosophy is to continually improve all of its products. As a result, engineering changes and improvements are made from time to time. Therefore, some changes, modifications and improvements may not be covered in this manual. If the operating characteristics or the appearance of your machine differs from those described in this manual, please contact your STIHL dealer or the STIHL distributor in your area for assistance.

25.10 FCC 15 Compliance Statement

This device complies with part 15 of the FCC Rules.

Operation is subject to the following two conditions:

- this device may not cause harmful interference.
- this device must accept any interference received, including interference that may cause undesired operation.

Note: This equipment has been tested and found to comply with the limits for a Class B digital device, pursuant to part 15 of the FCC Rules. These limits are designed to provide reasonable protection against harmful interference in a residential installation. This equipment generates, uses and can radiate radio frequency energy and, if not installed and used in accordance with the instructions, may cause harmful interference to radio communications. However, there is no

guarantee that interference will not occur in a particular installation.

If this equipment does cause harmful interference to radio or television reception, which can be determined by turning the equipment off and on, the user is encouraged to try to correct the interference by one or more of the following measures:

- reorient or relocate the receiving antenna,
- increase the separation between the equipment and receiver,
- connect the equipment to an outlet on a circuit different from that to which the receiver is connected,
- consult an authorized STIHL servicing dealer or an experienced radio/TV technician for help.

Do not change or modify this product in any way unless specifically allowed in this manual, since this could void your authority to operate it.

26 Combinations of Guide Bars and Saw Chains

26.1 STIHL HTA 150.0, HTA 160.0

Pitch	Drive link gauge/ Groove width	Length	Guide bar	Number of teeth of sprocket nose	Drive link count	Saw chain
3/8" P	0.043 in. (1.1 mm)	10 in. (25 cm)	Rollomatic E / Light 04	7	39	61 PMM3 (Type 3610)

The listed guide bars are green-labeled reduced kickback STIHL guide bars. The listed chains are green-labeled low kickback STIHL chains

Since new bar/chain combinations may be developed after publication of this manual, ask your authorized STIHL servicing dealer for the latest STIHL recommendations.

27 Approved Harness Combinations

27.1 Harness Combinations

WARNING

- The operator must be able to remove the harness quickly in the event of an emergency. To reduce the risk of injury in an emergency:
 - Practice removing and putting down the power tool as you would in an emergency. To avoid damage, do not throw the power tool to the ground when practicing.
 - Use only one of the allowed harness options. Do not combine different harnesses or other harness combinations when using your power tool.

The following harnesses are available for your pole pruner:



Shoulder Strap



STIHL ADVANCE X-Flex Battery Belt in combination with the STIHL Forestry harness ADVANCE X-TREEm HT and Flex belt HT.



Full Harness



STIHL Battery Belt with STIHL AP Battery Bag with Connecting Cord in combination with the Shoulder Strap



STIHL Battery Belt with STIHL AP Battery Bag with Connecting Cord in combination with the Shoulder Harness and Hip Pad



STIHL AR Backpack Battery in combination with Hip Pad




STIHL Battery Backpack in combination with Hip Pad



RTS Harness (HTA 160.0 only)

28 Replacement Parts and Equipment

28.1 Genuine STIHL Replacement Parts

STIHL recommends the use of genuine STIHL replacement parts. Genuine STIHL parts can be identified by the STIHL part number, the **STIHL** logo and, in some cases, by the STIHL parts symbol . The symbol may appear alone on small parts.

29 Disposal

29.1 Disposal of the Power Tool

STIHL products must not be thrown in household trash or disposed of except as outlined in this manual.

- ▶ Take the power tool, accessories and packaging to an approved disposal site for environmentally friendly recycling.
- ▶ Contact your authorized STIHL servicing dealer for the latest information on disposal and recycling.

29.2 Battery Recycling



WARNING

- Handle discharged/depleted batteries carefully. Even if believed to be discharged, lithium ion batteries may never totally discharge and still may deliver a dangerous short circuit current. If damaged or exposed to extreme temperatures, they may leak, generate heat, catch fire or explode.
- ▶ Observe all federal, state and local disposal rules and regulations.
- ▶ Contact your authorized STIHL servicing dealer for the latest information on waste disposal.
- ▶ Recycle depleted batteries promptly.
- ▶ Keep batteries away from children. Do not disassemble and do not dispose of in fire.



STIHL is committed to the development of products that are environmentally responsible. This commitment does not stop when the product leaves the authorized STIHL servicing dealer. STIHL has partnered with the RBRC (Rechargeable Battery Recycling Corporation) to promote the collection and recycling of spent STIHL lithium ion batteries in the United States and Canada.

The RBRC seal indicates that STIHL has prepaid for battery recycling. RBRC has a toll free phone number (1-800-822-8837) that connects you to information on battery recycling locations and information on battery disposal bans or restrictions in your area. You can also return your spent battery to any authorized STIHL servicing dealer for recycling free of charge.

30 Limited Warranty

30.1 STIHL Incorporated Limited Warranty Policy

This product is sold subject to the STIHL Incorporated Limited Warranty Policy, available at www.stihlusa.com/warranty.html. It can also be obtained from your authorized STIHL dealer or by calling 1-800-GO-STIHL (1-800-467-8445).

31 Trademarks

31.1 Registered Trademarks

STIHL®	FARM BOSS®
	iCademy®
	MAGNUM®

The color combination orange-grey (U.S. Registrations #2,821,860; #3,010,057, #3,010,058, #3,400,477; and #3,400,476)

AutoCut®

YARD BOSS®

STIHL ROLLO-MATIC®

WOOD BOSS®

MasterWrench Service®

MotoMix®

OIOMATIC®

ROCK BOSS®



STIHL Cutquik®

STIHL DUROMATIC®



STIHL Quickstop®

STIHL WOOD BOSS®

TIMBERSPORTS®

31.2 Common Law Trademarks

4-MIX™	HT Plus™
BioPlus™	STIHL PowerSweep™
Easy2Start™	STIHL Protech™
EasySpool™	STIHL MiniBoss™
ElastoStart™	STIHL MotoPlus 4™
Ematic™	Master Control Lever™
STIHL Precision Series™	STIHL OUTFITTERS™
FixCut™	STIHL PICCO™
Micro™	TrimCut™
Pro Mark™	STIHL M-Tronic™
Quad Power™	STIHL HomeScaper Series™
Quiet Line™	STIHL PolyCut™
STIHL Arctic™	STIHL RAPID™
STIHL Compact™	STIHL SuperCut™
STIHL Interchangeable Attachment Series™	STIHL Multi-Cut HomeScaper Series™
TapAction™	STIHL Territory™
	

This listing of trademarks is subject to change.

Any unauthorized use of these trademarks without the express written consent of ANDREAS STIHL AG & Co. KG, Waiblingen is strictly prohibited.

32 Addresses

32.1 STIHL Incorporated

STIHL Incorporated

0458-038-8601-A

536 Viking Drive
 P.O. Box 2015
 Virginia Beach, VA
 23452-2015

Contenido

1	Introducción.....	43
2	Acerca de este manual de instrucciones..	44
3	Componentes importantes.....	44
4	Símbolos de seguridad en los productos..	47
5	Advertencias generales de seguridad para herramientas motorizadas.....	48
6	INSTRUCCIONES IMPORTANTES DE SEGURIDAD.....	50
7	Contragolpe y otras fuerzas reactivas.....	59
8	Seguridad de la batería.....	61
9	Mantenimiento, reparación y almacenamiento.....	62
10	Antes de empezar a trabajar.....	63
11	Carga de la batería.....	63
12	Diagnóstico por LED y señales acústicas.	65
13	Batería de mochila STIHL AR.....	67
14	Montaje del podador de varilla.....	68
15	Colocación y extracción de la batería.....	73
16	Encendido y apagado del podador de varilla.....	74
17	Revisión del podador de varilla.....	75
18	Durante el funcionamiento.....	76
19	Después de completar el trabajo.....	78
20	Transporte del podador de varilla y de la batería.....	78
21	Almacenamiento del podador de varilla y de la batería.....	79
22	Limpieza.....	80
23	Inspección y mantenimiento.....	81
24	Guía de solución de problemas.....	85
25	Especificaciones.....	86
26	Combinaciones de espadas y cadenas de aserrado.....	89
27	Combinaciones de arnés aprobadas.....	89
28	Piezas y equipos de repuesto.....	89
29	Eliminación.....	90
30	Garantía limitada.....	90
31	Marcas comerciales.....	90
32	Direcciones.....	91

1 Introducción

Gracias por su compra. La información que contiene este manual le ayudará a obtener el máximo rendimiento y la mayor satisfacción de su podador de varilla de STIHL, y a reducir el

riesgo de lesiones que supone su uso, si respeta esta información.

CONSERVE ESTE MANUAL



Dado que el podador de varilla es una herramienta motorizada para cortar madera de gran velocidad y de alcance muy largo, es necesario tomar medidas de seguridad especiales para reducir el riesgo de lesiones.



Lea este manual de instrucciones detenidamente antes de usar el equipo por primera vez, y periódicamente de allí en adelante. Respete todas las medidas de seguridad. Un uso descuidado o inadecuado del podador de pértiga puede causar lesiones graves o mortales.

Respete todas las regulaciones, normas y reglamentaciones de seguridad federales, estatales y locales aplicables.

No preste ni alquile su podador de varilla sin entregar también este manual de instrucciones. Asegúrese de que solo usan el podador de varilla personas debidamente capacitadas que comprendan íntegramente la información de este manual.

Si necesita más información, o si no comprende alguna de las instrucciones incluidas en este manual, visite www.stihlusa.com o póngase en contacto con su concesionario de servicio autorizado de STIHL.

2 Acerca de este manual de instrucciones

2.1 Palabras identificadoras

Este manual contiene información sobre seguridad a la que usted debe prestar especial atención. Dicha información se indica con los siguientes símbolos y palabras identificadoras:



PELIGRO

- Identifica una situación de peligro que, de no evitarse, causará lesiones graves o mortales.



ADVERTENCIA

- Identifica una situación de peligro que, de no evitarse, puede causar lesiones graves o mortales.

INDICACIÓN

- Indica el riesgo de daños a la propiedad, incluyendo a la máquina o sus componentes.

2.2 Símbolos en el texto

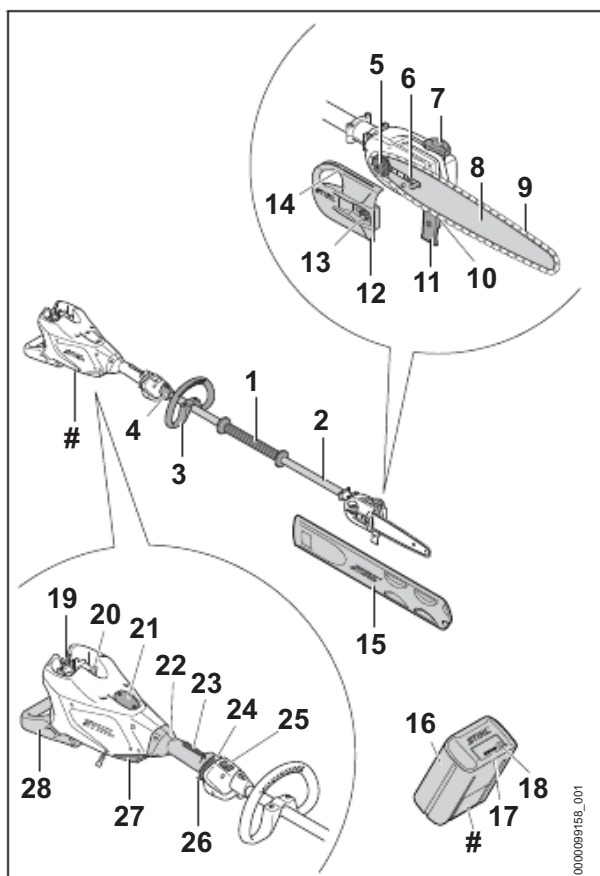
El siguiente símbolo tiene como finalidad ayudarlo a utilizar este manual.



Hace referencia a un capítulo o subcapítulo designado en este manual de instrucciones.

3 Componentes importantes

3.1 Podadora de pértiga y batería STIHL HTA 150.0

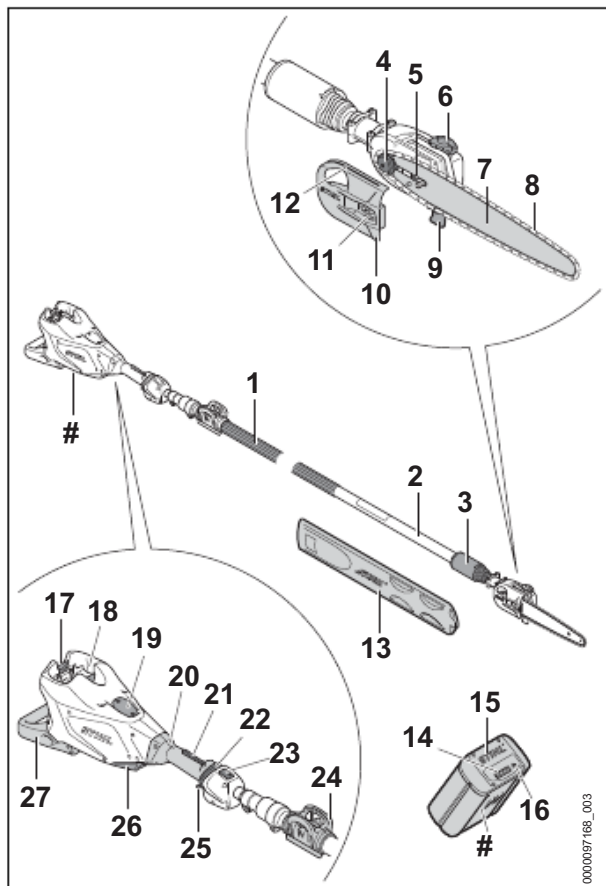


- 1 Mango delantero**
Mango para la mano delantera del operador.
- 2 Tubo de mando**
Eje de la podadora de pértiga.
- 3 Asa de lazo (sólo la versión forestal)**
Mango para la mano delantera del operador.
- 4 Argolla de transporte**
Para enganchar un arnés a la podadora de pértiga.
- 5 Piñón de la cadena**
Impulsa la cadena de aserrado.

- 6 Tensor lateral de la cadena**
Permite ajustar con precisión la tensión de la cadena de sierra.
- 7 Tapa de llenado de aceite**
Para cerrar el depósito de aceite.
- 8 Barra guía**
Sirve de soporte y de guía de la cadena de sierra.
- 9 Cadena de aserrado**
Herramienta de corte dentada formada por cortadores, amarras y eslabones impulsores.
- 10 Gancho**
Ayuda a mantener la podadora de pértiga fija contra la rama durante el corte.
- 11 Gancho extendido (sólo en versión forestal)**
Ayuda a mantener la podadora de pértiga fija contra la rama durante el corte y ayuda a retirar las ramas.
- 12 Cubierta del piñón de la cadena**
Cubre el piñón de la cadena.
- 13 Tuerca**
Aprieta la cubierta del piñón de la cadena.
- 14 Mira de desrame**
Ayuda al operador a posicionar la barra y la cadena para el corte.
- 15 Vaina de la cadena**
Cubre la espada y la cadena de aserrado para reducir el riesgo de lesiones causadas por un contacto accidental durante el transporte o el almacenamiento.
- 16 Batería**
Suministra energía eléctrica al motor.
- 17 LED de la batería**
Indican el estado de carga de la batería y muestran mensajes de error sobre posibles fallos de funcionamiento de la batería o de la herramienta motorizada.
- 18 Pulsador**
Activa los LED de la batería.
- 19 Palancas de bloqueo**
Fijan la batería en su compartimiento.
- 20 Compartimiento de la batería**
Espacio en donde se coloca la batería.
- 21 Cubierta de hueco de montaje³**
Cubre la zona de montaje de un Conector inteligente 2 A.
- 22 Mango de control**
Mango para la mano trasera del operador.
- 23 Bloqueo del disparador**
Se debe presionar para permitir la activación del gatillo.
- 24 Pestillo de retención**
Para encender el podador de varilla.
- 25 LED**
Indican el nivel de potencia de la máquina.
- 26 Disparador**
Cuando se presiona, activa la cadena de aserrado.
- 27 Filtro de aire**
Filtra el aire que se aspira y entra en el motor.
- 28 Apoyo de la máquina**
Para apoyar el podador de varilla en el suelo.
- # Placa de características**
Contiene los datos eléctricos y el número de serie del producto.

³Retire la tapa del hueco de montaje sólo para instalar un Smart Connector 2 A. Guárdelo de forma segura para su posterior reinstalación. Utilice siempre la herramienta eléctrica con la cubierta del hueco de montaje colocada o con el Smart Connector 2 A montado.

3.2 Podadora de pértiga y batería STIHL HTA 160.0



- 1 Mango delantero**
Mango para la mano delantera del operador.
- 2 Tubo de mando**
Eje del podador de varilla.
- 3 Tuerca de sujeción**
Para ajustar la longitud del tubo de mando.
- 4 Piñón de la cadena**
Impulsa la cadena de aserrado.
- 5 Tensor lateral de la cadena**
Permite ajustar con precisión la tensión de la cadena de sierra.
- 6 Tapa de llenado de aceite**
Para cerrar el depósito de aceite.
- 7 Barra guía**
Sirve de soporte y de guía de la cadena de sierra.
- 8 Cadena de aserrado**
Herramienta de corte dentada formada por cortadores, amarras y eslabones impulsores.

- 9 Gancho**
Ayuda a mantener el podador de varilla fijo contra la rama durante el corte.
- 10 Cubierta del piñón de la cadena**
Cubre el piñón de la cadena.
- 11 Tuerca**
Aprieta la cubierta del piñón de la cadena.
- 12 Mira de desrame**
Ayuda al operador a posicionar la barra y la cadena para el corte.
- 13 Vaina de la cadena**
Cubre la espada y la cadena de aserrado para reducir el riesgo de lesiones causadas por un contacto accidental durante el transporte o el almacenamiento.
- 14 LED de la batería**
Indican el estado de carga de la batería y muestran mensajes de error sobre posibles fallos de funcionamiento de la batería o de la herramienta motorizada.
- 15 Batería**
Suministra energía eléctrica al motor.
- 16 Pulsador**
Activa los LED de la batería.
- 17 Palancas de bloqueo**
Fijan la batería en su compartimento.
- 18 Compartimento de la batería**
Espacio en donde se coloca la batería.
- 19 Cubierta de hueco de montaje⁴**
Cubre la zona de montaje de un Conector inteligente 2 A.
- 20 Mango de control**
Mango para la mano trasera del operador.
- 21 Bloqueo del disparador**
Se debe presionar para permitir la activación del gatillo.
- 22 Pestillo de retención**
Para encender el podador de varilla.
- 23 LED**
Indican el nivel de potencia de la máquina.
- 24 Pinza para arnés**
Para enganchar un arnés al podador de varilla.
- 25 Gatillo**
Cuando se presiona, activa la cadena de aserrado.

⁴Retire la tapa del hueco de montaje sólo para instalar un Smart Connector 2 A. Guárdelo de forma segura para su posterior reinstalación. Utilice siempre la herramienta eléctrica con la cubierta del hueco de montaje colocada o con el Smart Connector 2 A montado.

26 Filtro de aire

Filtra el aire que se aspira y entra en el motor.

27 Apoyo de la máquina

Para apoyar el podador de varilla en el suelo.

Placa de características

Contiene los datos eléctricos y el número de serie del producto.

4 Símbolos de seguridad en los productos

4.1 Podador de varilla

En el podador de varilla se pueden ver los siguientes símbolos de seguridad:



Para reducir el riesgo de lesiones, respete las medidas de seguridad especificadas.



Lea y respete todas las medidas de seguridad que se dan en el manual de instrucciones. Un uso inadecuado puede provocar lesiones graves o mortales, o daños materiales.



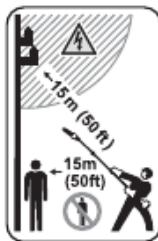
Para reducir el riesgo de lesiones oculares o en la cabeza, use siempre gafas protectoras adecuadas y un casco protector aprobado, [8](#) 6.3.



Lleve botas resistentes con suela antideslizante. Le recomendamos que elija botas de seguridad con puntera de acero, [8](#) 6.3.



Use siempre guantes de trabajo gruesos y no resbaladizos (por ejemplo, de cuero o de otro material resistente al desgaste), para manejar la máquina o la cadena de aserrado, [8](#) 6.3.



Para reducir el riesgo de lesiones, asegúrese de que no hay nadie a una distancia de al menos 50 pies (15 m), y de que hay al menos 50 pies (15 m) entre el podador de varilla (incluida cualquier rama con la que esté en contacto) y cualquier línea que conduzca corriente eléctrica, [8](#) 6.5.4.



Para reducir el riesgo de lesiones y de daños materiales provocados por una activación accidental, retire la batería siempre que el podador de varilla no esté en uso, [8](#) 6.4.

4.2 Batería

Los siguientes símbolos de seguridad se encuentran en la batería de mochila serie AR y en la batería serie AP:



Para reducir el riesgo de lesiones, respete las medidas de seguridad especificadas.



Lea y respete todas las precauciones de seguridad dadas en el manual de instrucciones de la batería y en el manual de la herramienta STIHL que utiliza esta batería. Un uso inadecuado puede provocar lesiones graves o mortales, así como daños materiales.



Para reducir el riesgo de lesiones y de daños materiales provocados por incendios, explosiones o quemaduras, incluidas quemaduras químicas, no desarme, aplaste, deje caer, dañe ni caliente a más de 212 °F (100 °C). Nunca la exponga al fuego ni la incinere, [8](#).

Baterías de mochila AR 1000, 2000, 3000

Para reducir el riesgo de lesiones personales o daños a la propiedad causados por un cortocircuito, un incendio o una explosión, mantenga la unidad seca. Protéjala contra la lluvia, el agua y las condiciones húmedas. Nunca la sumerja en agua u otros líquidos, [8](#).

Baterías de mochila AR L

Para reducir el riesgo de lesiones personales o daños a la propiedad causados por un cortocircuito, un incendio o una explosión, mantenga la unidad seca. Nunca la sumerja en agua u otros líquidos, [8](#).

Baterías serie AP

Para reducir el riesgo de lesiones personales o daños a la propiedad causados por un cortocircuito, un incendio o una explosión, mantenga la unidad seca. Nunca la sumerja en agua u otros líquidos, [8](#).

Las baterías se venden por separado.

5 Advertencias generales de seguridad para herramientas motorizadas

5.1 Introducción

Este capítulo contiene las advertencias e instrucciones de seguridad generales prescritas para herramientas motorizadas eléctricas manuales. En los siguientes capítulos de este manual, se proporcionan otras advertencias e instrucciones importantes.

▲ ADVERTENCIA

- **Lea todas las advertencias de seguridad y todas las instrucciones.** Si no se siguen todas las advertencias e instrucciones, se podrían producir descargas eléctricas, incendios o lesiones graves.
- **Conserve todas las advertencias e instrucciones para referencia en el futuro.**

El término “herramienta eléctrica” que aparece en las advertencias hace referencia a una herramienta alimentada por cordón eléctrico o a batería (inalámbrica).

5.2 Seguridad en la zona de trabajo

- a) **Mantenga la zona de trabajo limpia y bien iluminada.** El desorden y la oscuridad favorecen los accidentes.
- b) **No utilice las herramientas motorizadas en entornos potencialmente explosivos, tales como aquellos en los que hay líquidos, gases o polvos inflamables.** Las herramientas motorizadas producen chispas que podrían encender el polvo o los vapores.
- c) **Asegúrese de que niños y terceras personas se mantienen alejados de la herramienta motorizada mientras la está usando.** Cualquier distracción podría hacerle perder el control sobre la herramienta.

5.3 Seguridad eléctrica

- a) **El enchufe de la herramienta motorizada debe corresponder con el tomacorriente. Nunca modifique el enchufe en modo alguno. No utilice enchufes adaptadores con herramientas motorizadas que tengan clavija de puesta a tierra.** El uso de enchufes no modificados y de los tomacorrientes adecuados reduce el riesgo de descargas eléctricas.

- b) **Evite que su cuerpo entre en contacto con superficies puestas a tierra tales como tuberías, radiadores, estufas y refrigeradores.** Si su cuerpo está conectado con tierra, existe un mayor riesgo de que sufra descargas eléctricas.
- c) **No esponga las herramientas motorizadas a la lluvia ni a la humedad.** Si entra agua en la herramienta motorizada, aumenta el riesgo de que se produzcan descargas eléctricas.
- d) **No maltrate el cordón eléctrico. Nunca tire del cordón eléctrico para transportar, arrastrar o desenchufar la herramienta motorizada. Mantenga el cordón protegido del calor y alejado de aceites, bordes afilados y piezas móviles.** Si el cordón está dañado o retorcido, aumenta el riesgo de que se produzcan descargas eléctricas.
- e) **Cuando use una herramienta motorizada a la intemperie, utilice un cordón de extensión adecuado para el uso en exteriores.** Con un cordón apto para el uso en exteriores se reduce el riesgo de descargas eléctricas.
- f) **Si resulta ineludible el uso de una herramienta motorizada en un lugar húmedo, utilice un suministro de energía eléctrica con dispositivo de corriente residual (RCD) o con protección contra pérdidas a tierra (GFCI).** El uso de un RCD o GFCI reduce el riesgo de descargas eléctricas.

5.4 Seguridad personal

- a) **Manténgase alerta, preste atención a lo que hace y aplique el sentido común cuando use una herramienta motorizada. No utilice una herramienta motorizada si se nota cansado o si está bajo la influencia de drogas, alcohol o medicamentos.** Un descuido breve durante el uso de una herramienta motorizada puede causar lesiones personales graves.
- b) **Utilice equipos de protección personal. Protéjase los ojos siempre.** El uso de equipos protectores como mascarillas, zapatos de seguridad antideslizantes, casco y protectores de los oídos para lograr las condiciones de trabajo apropiadas reduce el riesgo de sufrir lesiones personales.
- c) **Evite los arranques accidentales. Asegúrese de que el interruptor está en la posición de apagado antes de conectar la máquina a la fuente de energía o a la batería, antes de levantarla y antes de cargarla.** Cargar una herramienta motorizada con un dedo colo-

cado sobre el interruptor de encendido o conectar la alimentación de herramientas que tienen el interruptor en la posición de encendido favorece los accidentes.

- d) **Retire todas las llaves o herramientas de ajuste antes de encender la herramienta motorizada.** Si se deja una herramienta o una llave colocada en un componente giratorio de la herramienta motorizada, se pueden producir lesiones personales.
- e) **No extienda los brazos más de lo necesario. Mantenga el equilibrio y los pies bien apoyados en todo momento.** Así, podrá controlar mejor la herramienta motorizada si surge cualquier imprevisto.
- f) **Use vestimenta adecuada. No utilice ropa suelta ni joyas. Mantenga su cabello y su ropa alejados de las piezas móviles.** La ropa suelta, las joyas o el cabello largo pueden quedar atrapados en los componentes en movimiento.
- g) **Si cuenta con dispositivos para la conexión de equipos extractores y recogedores de polvo, asegúrese de que estos están conectados y de que se usan debidamente.** El uso de un equipo recogedor de polvo puede reducir los peligros relacionados con el polvo.
- h) **No permita que la familiaridad adquirida con el uso frecuente de las herramientas lo lleve a actuar con un exceso de confianza y a no tener en cuenta los principios de seguridad de la herramienta.** Una acción descuidada puede causar lesiones graves en una fracción de un segundo.

5.5 Uso y cuidado de la herramienta motorizada

- a) **No fuerce la herramienta motorizada. Utilice la herramienta motorizada adecuada para el trabajo que va a realizar.** Si usa la herramienta motorizada correcta, llevará a cabo la tarea mejor y con mayor seguridad, y al ritmo para el cual fue diseñada.
- b) **No utilice la herramienta motorizada si no se puede encender y apagar con el interruptor.** Toda herramienta motorizada que no pueda controlarse con su interruptor es peligrosa y debe ser reparada.
- c) **Desconecte el enchufe de la fuente de alimentación o retire el paquete de baterías (si es desmontable), de la herramienta motorizada antes de hacer ajustes, cambiar acce-**

sorios o almacenar la herramienta. Estas medidas preventivas de seguridad reducen el riesgo de arrancar la herramienta motorizada por accidente.

- d) **Guarde las herramientas motorizadas fuera del alcance de los niños, y no permita que utilicen las herramientas personas que no estén familiarizadas con ellas o con estas instrucciones.** En manos de personas no capacitadas para usarlas, las herramientas motorizadas son peligrosas.
- e) **Mantenga debidamente las herramientas motorizadas y sus accesorios. Compruebe si los componentes móviles están mal alineados o agarrotados, si hay roturas en alguna pieza y otros aspectos que pudieran afectar al funcionamiento de la herramienta eléctrica. Si hay daños, envíe la herramienta eléctrica a reparación antes de usarla.** Muchos accidentes se deben a un mantenimiento deficiente de las herramientas motorizadas.
- f) **Mantenga las herramientas de corte afiladas y limpias.** Si se han mantenido correctamente y están afiladas, las herramientas de corte son menos propensas a atascarse y más fáciles de controlar.
- g) **Utilice la herramienta motorizada, los accesorios, las brocas, etc. tal como se indica en estas instrucciones, teniendo en cuenta las condiciones de trabajo y el tipo de tarea que va a realizar.** El uso de una herramienta motorizada para trabajos diferentes a aquellos para los que fue diseñada puede producir situaciones peligrosas.
- h) **Mantenga los mangos y las superficies de agarre secos, limpios y sin aceite ni grasa.** Las superficies de agarre y los mangos resbaladizos dificultan la manipulación y el control seguros de la herramienta en situaciones inesperadas.

5.6 Uso y cuidado de la herramienta con batería

- a) **Recárguela únicamente con el cargador especificado por el fabricante.** Un cargador que es adecuado para un tipo de baterías puede crear un riesgo de incendio si se utiliza con baterías de un tipo diferente.
- b) **Utilice las herramientas motorizadas únicamente con las baterías especificadas para ellas.** El uso de otras baterías puede crear riesgos de lesiones o incendio.

- c) Cuando no utilice las baterías, manténgalas alejadas de objetos metálicos tales como presillas para papel, monedas, llaves, clavos, tornillos u otros objetos metálicos pequeños que pudieran establecer una conexión entre los distintos terminales. Un cortocircuito entre los terminales de batería puede causar quemaduras o un incendio.
- d) En condiciones de maltrato, podría salir líquido de la batería; evite el contacto con el mismo. Si, a pesar de todo, el contacto se produce, lave la zona afectada con agua. Si el líquido entra en contacto con los ojos, busque además atención médica. El líquido que sale de la batería puede causar irritaciones y quemaduras.
- e) No utilice una batería ni una herramienta a batería que presente daños o haya sido modificada. Las baterías dañadas o modificadas pueden tener un comportamiento impredecible y que puede provocar incendios, explosiones y lesiones.
- f) No exponga nunca un paquete o herramienta con batería al fuego ni a temperaturas excesivas. La exposición al fuego o a temperaturas superiores a los 130 °C/ 265 °F puede causar una explosión.
- g) Respete todas las instrucciones relativas a la carga y no cargue el paquete ni la herramienta con batería a temperaturas fuera del intervalo que se especifica en las instrucciones. Una carga incorrecta o realizada a temperaturas fuera del intervalo especificado puede dañar la batería y aumentar el riesgo de incendios.

5.7 Mantenimiento

- a) El mantenimiento de su herramienta motorizada deberá realizarlo siempre un técnico calificado, utilizando piezas de repuesto genuinas. Solo así queda garantizado que se mantendrá intacta la seguridad de la herramienta motorizada.
- b) Nunca intente reparar baterías dañadas. Del mantenimiento de las baterías deben encargarse únicamente el fabricante o un proveedor de servicio autorizado.

6 INSTRUCCIONES IMPORTANTES DE SEGURIDAD

6.1 Uso previsto

▲ ADVERTENCIA

- Este podador de varilla está diseñado únicamente para recortar ramas. No está diseñado para ser utilizado como palanca o pala en las ramas, raíces u otros objetos. El uso del podador de varilla para trabajos para los que no ha sido diseñado puede causar lesiones graves o mortales.
 - Corte únicamente madera. No use el podador de varilla, por ejemplo, para cortar metal, plástico o mampostería.
- Antes de comenzar cualquier trabajo de desramado, asegúrese de que todos los cortes necesarios se pueden completar usando la carga que queda en la batería STIHL de la serie AP o AR. Si tiene dudas:
 - Tenga disponibles varias baterías cargadas que pueda utilizar.
 - Elija un podador de varilla más potente.
 - Elija una batería más potente.
 - Consulte a un profesional reputado especializado en árboles.
- Lea y respete las instrucciones de manejo y uso que se dan en este manual para conocer las aplicaciones aprobadas y las técnicas de trabajo recomendadas.
- Un uso indebido podría provocar lesiones o daños materiales, incluidos daños en el podador de varilla.
 - Use el podador de varilla y la batería únicamente como se describe en este manual.
 - Nunca intente modificar ni anular los controles ni los dispositivos de seguridad del podador de varilla en modo alguno.
 - Nunca utilice un podador de varilla que se haya modificado o alterado, apartándose de su diseño original.
 - Asegúrese de leer y respetar las advertencias y las instrucciones de su batería y de su cargador antes de iniciar la carga o de empezar a trabajar.
- Esta herramienta motorizada puede alimentarse con una batería de la serie STIHL AP. Como alternativa, se puede alimentar con una batería tipo mochila de la serie STIHL AR combinada con un adaptador AP.

Las baterías, los cargadores y otros accesorios se venden por separado.

6.2 Operador

▲ ADVERTENCIA

- Trabajar con la podadora de pértiga puede ser agotador. El operador debe encontrarse en buenas condiciones, tanto físicas como mentales. Para reducir el riesgo de lesiones:
 - Consulte a su médico antes de usar la podadora de pértiga si tiene cualquier afección de la salud que pueda verse agravada por un trabajo agotador.
 - No utilice el podador de varilla si se encuentra bajo la influencia de cualquier sustancia (drogas, alcohol, medicamentos, etc.) que pudiera afectar la visión, el equilibrio, la destreza o el juicio.
 - Permanezca alerta. No use el podador de varilla si está cansado. Si se cansa, haga una pausa.
 - No permita que los niños usen el podador de varilla.
 - No permita la proximidad de otras personas, especialmente niños, ni de animales, en la zona en que esté utilizando el podador de varilla.
- El uso prolongado de un podador de varilla (o de otras herramientas motorizadas) que expone al operador a vibraciones puede causar la enfermedad de dedos blancos (fenómeno de Raynaud) o el síndrome del túnel carpiano. Estas afecciones reducen la capacidad de la mano de sentir y regular la temperatura. Producen entumecimiento y sensación de ardor, y pueden causar también daños en los nervios y en la circulación, además de necrosis tisular.
- No se conocen todos los factores que contribuyen a la enfermedad de los dedos blancos. El clima frío, el consumo de tabaco y las enfermedades o afecciones físicas que afectan a los vasos sanguíneos y a la circulación de la sangre, además de los niveles altos de vibración y los periodos largos de exposición a vibraciones, figuran entre los factores que contribuyen al desarrollo de la enfermedad de los dedos blancos.
- Para reducir el riesgo de desarrollar la enfermedad de los dedos blancos y el síndrome de túnel carpiano:
 - Use guantes cuando trabaje, y mantenga las manos abrigadas.
 - Mantenga el podador de varilla en buen estado de mantenimiento. Un podador de varilla que no se ha mantenido correctamente o que tiene componentes sueltos

tiende a tener niveles de vibración más altos.

- Mantenga la cadena de aserrado afilada. Una cadena roma aumentará el tiempo de corte; atravesar madera con una cadena roma aumentará las vibraciones que se transmiten a las manos del operador.
- Agarre los mangos firmemente en todo momento, pero no los apriete con una fuerza constante y excesiva. Tómese descansos frecuentes.
- Estas precauciones no garantizan que no usted no vaya a sufrir la enfermedad de los dedos blancos o el síndrome de túnel carpiano.
 - Controle atentamente el estado de sus manos y dedos si es un usuario regular de este tipo de herramientas.
 - Acuda inmediatamente al médico si nota alguno de los síntomas mencionados anteriormente.
- Según los conocimientos actuales de STIHL, el motor eléctrico de este podador de varilla no interfiere con los marcapasos.
 - Sin embargo, las personas que lleven marcapasos u otro dispositivo médico implantado deben consultar a su médico y al fabricante del dispositivo antes de utilizar esta podadora de pértiga.

6.3 Equipos de protección personal

▲ ADVERTENCIA

- Para reducir el riesgo de lesiones personales:
 - Siempre use ropa adecuada y vestimenta protectora, incluidas gafas de seguridad adecuadas.
- Si el cabello, la ropa o los equipos de protección entran en contacto con la cadena de aserrado en movimiento o se enredan en los componentes del podador de varilla, podría perderse el control sobre la máquina, lo que podría producir lesiones cortantes graves. Para reducir el riesgo de lesiones graves:



- Use ropa resistente y ajustada que le permita moverse con completa libertad.
- Use monos o pantalones largos hechos de un material grueso para protegerse las piernas. No lleve pantalones cortos.
- Evite el uso de chaquetas sueltas, bufandas, corbatas, pantalones acampanados o con vueltas, joyas o cualquier prenda

que pueda engancharse en ramas, en matorrales o en la cadena en movimiento.

– Sujétese el cabello por encima de los hombros antes de empezar a trabajar.

- Para reducir el riesgo de sufrir lesiones oculares:



– Siempre utilice gafas o anteojos protectores bien ajustados que tengan protecciones adecuadas en la parte superior y en los laterales, que sean resistentes a los impactos y que porten la marca que indica que cumplen la norma ANSI Z87 "+".

– Para reducir el riesgo de lesionarse la cara, STIHL le recomienda que use también una careta o un protector facial adecuado sobre las gafas o los anteojos de seguridad.

- Para reducir el riesgo de sufrir lesiones en la cabeza por la caída de ramas o por el impacto de otros objetos durante el trabajo:

– Use un casco protector aprobado.

- Es muy importante que mantenga los pies bien apoyados en todo momento. Como ayuda para mantener los pies apoyados de forma segura y para reducir el riesgo de lesiones durante el trabajo:



– Lleve botas resistentes con suela antideslizante. Le recomendamos que elija botas de seguridad con puntera de acero. Nunca use sandalias, chanclas, zapatos que dejen los dedos al descubierto ni calzado similar.

- Para mejorar el agarre y para proteger mejor sus manos:



– Siempre use guantes de trabajo gruesos antideslizantes de cuero o de otro material resistente al desgaste para manipular el podador de varilla o su cadena.

6.4 Podadora de pértiga

▲ ADVERTENCIA

- Para reducir el riesgo de una descarga eléctrica:
 - No sumerja el podador de varilla en agua ni en otros fluidos.
 - Guarde el podador de varilla en interiores.
- La cadena de sierra tiene muchos cortadores afilados. El contacto con los cortadores puede

causar laceraciones graves, incluso cuando la cadena no está en movimiento. Para reducir el riesgo de que se produzcan este tipo de lesiones:







- Mantenga las manos, los pies y cualquier otra parte del cuerpo lejos de la cadena.
- Use guantes de trabajo gruesos cuando manipule el podador de varilla o la cadena del mismo.
- Nunca toque una cadena que esté en movimiento con las manos ni con ninguna otra parte del cuerpo.
- Cubra la espada con una funda antes de transportar o de guardar el podador de varilla, para reducir el riesgo lesiones causadas por contacto accidental.

- Las fuerzas reactivas, incluido el contragolpe, pueden ser peligrosas.
 - Preste especial atención a la sección "Contragolpe y otras fuerzas reactivas" de este manual de instrucciones, 7.
- Este podador de varilla alimentado con batería está diseñado únicamente para recortar ramas. Su uso para otros fines puede aumentar el riesgo de lesiones y de daños materiales.
 - Corte únicamente madera.
 - Lea y respete las instrucciones de manejo de este manual para conocer las aplicaciones aprobadas, 18.4.
- Para reducir el riesgo de que el operador o las personas que se encuentran cerca sufran lesiones:



– Siempre suelte el gatillo y retire la batería antes de armar, transportar, ajustar, inspeccionar, limpiar, reparar, mantener o guardar el podador de varilla, y siempre que no esté en uso.

- Aunque determinados accesorios no autorizados podrían encajar en su podador de varilla STIHL, su uso puede resultar extremadamente peligroso. Le recomendamos que utilice únicamente accesorios suministrados por STIHL o expresamente autorizados por STIHL para el uso con este modelo específico.
 - Use solo accesorios suministrados o expresamente aprobados por STIHL.
 - Nunca modifique este podador de varilla de ninguna manera.
 - Nunca intente modificar ni anular los controles ni los dispositivos de seguridad del podador de varilla en modo alguno.

- Nunca utilice un podador de varilla que se haya modificado o alterado, apartándose de su diseño original.
 - Si el podador de varilla se cae o sufre un impacto similar:
 - Asegúrese de que no se ha dañado, de que está en buenas condiciones y de que funciona correctamente antes de reanudar el trabajo.
 - Compruebe que los controles y los dispositivos de seguridad funcionan correctamente,  17.1.
 - Revise los LED y compruebe si hay mensajes de error,  12.
 - Asegúrese de que la batería no se ha dañado. Nunca use ni cargue una batería que no funcione correctamente o que esté dañada, agrietada, deformada o pierda líquido.
 - Nunca trabaje con una podadora de pértiga o con una batería que presenten averías o funcionen mal. En caso de duda, encargue a su concesionario de servicio STIHL autorizado que revise la podadora de pértiga y la batería.
 - Si la podadora de pértiga o la batería se daña, no funciona correctamente, se ha dejado al aire libre, se ha expuesto a lluvia o condiciones húmedas o se ha caído en agua u otro líquido, es posible que sus componentes y los dispositivos de seguridad p53-ya no funcionen. Para reducir el riesgo de lesiones y de daños materiales:
 - Lleve el podador de varilla y la batería a su concesionario de servicio de STIHL autorizado para que los revisen antes de continuar utilizándolos.
 - Las piezas de repuesto auténticas de STIHL están diseñadas específicamente para su podador de varilla, y satisfacen las necesidades de rendimiento y seguridad correspondientes. El uso de piezas no autorizadas o no aprobadas por STIHL puede provocar lesiones graves o mortales, así como daños materiales.
 - STIHL recomienda utilizar únicamente repuestos de STIHL idénticos a las piezas originales.
- ## 6.5 Uso del podador de varilla
- ### 6.5.1 Antes de usar
- # ▲ ADVERTENCIA
- Un uso inadecuado o no autorizado puede causar lesiones y daños materiales.
 - Use el podador de varilla solo como se describe en este manual de instrucciones.
 - Para el armado correcto de la espada y de la cadena:
 - Lea y respete las instrucciones de montaje de la espada y de la cadena,  14.8.
 - La cadena, la espada y el piñón deben coincidir unos con otros en lo que respecta al calibre y al paso. Antes de montarlos o de sustituirlos:
 - Lea la información acerca de las combinaciones de espadas y cadenas,  26.
 - Lea y tenga en cuenta las instrucciones sobre contragolpes y otras fuerzas reactivas,  7.
 - Seleccione la espada más corta que cumpla con sus necesidades de corte. Las espadas más largas agregan peso y pueden ser más difíciles de controlar.
 - El tensado adecuado de la cadena es extremadamente importante para maximizar el rendimiento de corte y para reducir el riesgo de que se produzcan lesiones a causa de una rotura, de un descarrilamiento o de las fuerzas reactivas de la cadena:
 - Nunca corte si la cadena está floja. Si la cadena se afloja durante el corte, apague el motor y retire la batería del podador de varilla antes de apretar la cadena. Nunca intente ajustar la cadena con la batería colocada.
 - Lea y respete las instrucciones de tensado de la cadena,  14.9.
 - Asegúrese siempre de que la cubierta del piñón de la cadena quede firmemente apretada después de tensar la cadena, para asegurar la espada. Nunca encienda el podador de varilla si la cubierta del piñón de la cadena está suelta o falta.
 - Compruebe la tensión de la cadena una vez más después de ajustar la cubierta del piñón de la cadena.
 - Compruebe la tensión de la cadena periódicamente de allí en adelante y en intervalos regulares (siempre después de quitar la batería).
 - El uso de un podador de varilla que se ha modificado, que está dañado, mal ajustado o no se ha mantenido debidamente puede provocar una avería y aumentar el riesgo de lesiones graves o incluso mortales.
 - No utilice nunca un podador de varilla que se haya modificado, que esté dañado o mal mantenido, o que no se haya montado completamente y de forma segura.

- Siempre compruebe si su podador de varilla está en buenas condiciones y si funciona correctamente antes de iniciar los trabajos. Preste especial atención al pestillo de retención, a la palanca Ergo, al gatillo y al accesorio de corte.
- Asegúrese de que el pestillo de retención, la palanca Ergo y el gatillo se mueven libremente, y de que regresan a su lugar cuando los suelta. El gatillo no debe poder oprimirse si no se ha desbloqueado el pestillo de retención.
- Nunca intente modificar ni anular en modo alguno los controles ni los dispositivos de seguridad.
- Si el podador de varilla o cualquiera de sus piezas presenta daños o no funciona correctamente, llévelo a su concesionario de servicio STIHL autorizado. No use el podador de varilla hasta que el problema se haya solucionado.
- Antes de colocar la batería:
 - Compruebe si hay corrosión o materias extrañas en los contactos del compartimiento de la batería. Manténgalos limpios.
 - Nunca inserte ni use una batería que esté defectuosa, dañada, agrietada o deformada, o que pierda líquido.
 - Lea y siga las instrucciones de encendido de la podadora de pértiga, 16.1.
- Para reducir el riesgo de lesiones graves o mortales provocadas por la activación accidental:
 - Suelte el gatillo y su bloqueo antes de insertar la batería.
 - Suelte el gatillo antes de retirar la batería.



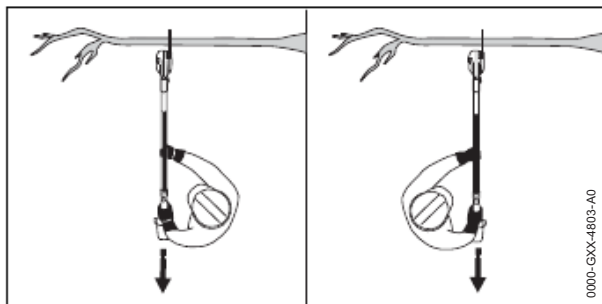
– Quite la batería antes de armar, transportar, ajustar, inspeccionar, limpiar, reparar, mantener o guardar el podador de varilla, y siempre que no esté en uso.

- Nunca deje el podador de varilla desatendido con la batería colocada.
- Nunca guarde la batería en el podador de varilla.
- Antes de encender el podador de varilla, dé los pasos que figuran a continuación para reducir el riesgo de lesiones provocadas por una pérdida de control o por un contacto accidental con la cadena:
 - Asegúrese de mantener la espada y la cadena alejadas de su persona y de cual-

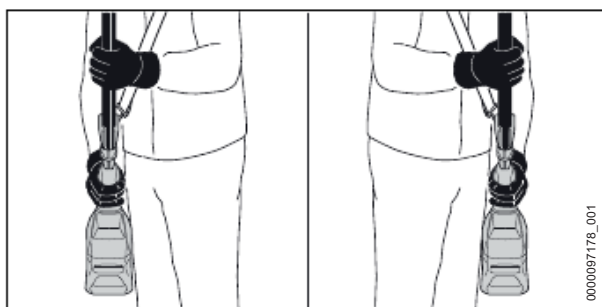
- quier otro tipo de obstáculo u objeto, incluido el suelo.
- Nunca intente arrancar el podador de varilla mientras la espada está dentro de una ranura de corte o entalla. Hacerlo podría generar fuerzas reactivas y causar lesiones.
- Lea y siga las instrucciones de encendido del podador de varilla, 16.1.

6.5.2 Sujeción y control de la podadora de pértiga

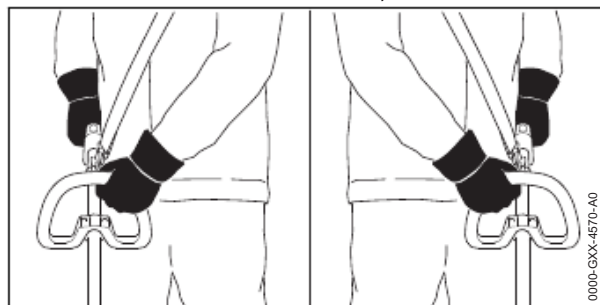
⚠ ADVERTENCIA





■ Desrame alto



■ Desrame próximo al nivel del suelo (HTA 150.0 sólo en versión forestal)



- Para sujetar con firmeza y controlar correctamente la podadora de pértiga:
 - Mantenga los mangos limpios y secos en todo momento. Protéjalos de la humedad, del alquitrán, del aceite, de la grasa y de la resina.
- Para reducir el riesgo de lesiones graves o mortales para el operador o los presentes por pérdida de control:
 - Sujete siempre el podador de varilla firmemente con las dos manos mientras tra-

- baja, agarrándolo por las superficies marcadas para ello.
- Agarre los mangos firmemente con todos los dedos, manteniéndolos sujetos entre los dedos índice y pulgar (vea las ilustraciones).
 - Coloque el podador de varilla de modo que todas las partes de su cuerpo queden alejadas del accesorio de corte siempre que la batería esté en su lugar. Sitúese a la izquierda o a la derecha del corte cuando recorte ramas, fuera del plano de corte (como se muestra en la ilustración).
 - Evite tocar cualquier objeto con el cuadrante superior de la punta de la espada. Podría producirse un contragolpe.
 - Sujete el podador de varilla siempre firmemente con ambas manos mientras trabaja.
 - Lea y respete todas las advertencias e instrucciones del capítulo "Contragolpe y otras fuerzas reactivas",  7.
- Si la máquina se maneja con una sola mano, es más difícil resistir y absorber las fuerzas reactivas (rechazo, tirón, contragolpe) sin perder el control del podador de varilla. Además, también es más difícil evitar que la espada y la cadena reboten contra una rama. Para reducir el riesgo de lesiones graves o mortales para el operador o los presentes por la pérdida de control:
 - Nunca intente manejar el podador de varilla con una sola mano.
 - Para reducir el riesgo de que el operador o las personas que se encuentren cerca sufran lesiones graves o mortales causadas por una pérdida de control, asegúrese de mantener el equilibrio y los pies bien apoyados en todo momento:
 - Nunca trabaje sobre una escalera de mano, sobre un techo, un árbol o cualquier otro punto de apoyo que no sea seguro.
 - Tenga especial cuidado cuando trabaje en terrenos con mucha vegetación o húmedos, y preste atención siempre a posibles obstáculos ocultos como tocónes, raíces, piedras, hoyos y zanjas, para evitar tropezarse o caerse.
 - Proceda con extrema precaución cuando trabaje en declives o en terrenos irregulares.
 - Para no perder la estabilidad, retire siempre las ramas caídas, los arbustos y el material cortado, así como cualquier otro material, objeto o vegetación que pueda aumentar el riesgo de resbalarse, tropezarse o caer.
 - Proceda con mucho cuidado cuando corte ramas, arbolitos y matorrales pequeños, ya que el material fino y tierno puede enredarse en la cadena y salir despedido hacia usted o hacer que pierda el equilibrio.
 - No extienda los brazos más de lo necesario. Mantenga el equilibrio y los pies bien apoyados en todo momento.
 - Nunca arranque el podador de varilla mientras la espada está dentro de una ranura de corte o entalla. Hacerlo podría generar fuerzas reactivas y causar lesiones. En estos casos, saque la espada del corte y vuelva a introducirla con la máquina a velocidad máxima, procurando no tocar ningún objeto con la punta de la espada.
 - Si tiene un podador de varilla con tubo ajustable, alargue el tubo solo lo necesario para llevar a cabo el trabajo previsto, pero nunca corte directamente por encima de su cabeza. Asegúrese de que el podador de varilla queda a un ángulo de no más de 60° con respecto a la horizontal,  6.5.4.
 - Trabajar sosteniendo una máquina por encima de los hombros puede resultar cansado. Para reducir el riesgo de sufrir lesiones por efecto de la fatiga:
 - Nunca sujete la máquina con la mano posterior colocada sobre el mango de control a una altura superior a la de sus hombros.
 - Tómese descansos frecuentes.
 - El gancho está diseñado para proporcionar un mayor control del podador de varilla durante el corte. Si trabaja sin el gancho, el podador de varilla podría tirar de usted bruscamente hacia adelante. Esto podría causar una pérdida de control o, si la punta de la espada golpea un objeto, un contragolpe.
 - Para controlar mejor el podador de varilla, trabaje siempre con el gancho.
 - Si se aplica presión al podador de varilla cuando se llega al final de un corte, la espada y la cadena en movimiento pueden saltar fuera de la ranura de corte o de la entalla, descontrolarse y golpear algún objeto. Para reducir el riesgo de lesiones:
 - Tenga cuidado cuando se acerque al final de un corte.

- Nunca ejerza presión sobre la podadora de pértiga cuando llegue al final de un corte.

6.5.3 Condiciones de trabajo

▲ ADVERTENCIA

- Maneje el podador de varilla solo a la luz del día y cuando las condiciones de visibilidad sean buenas.
 - Aplazé el trabajo si hay mal tiempo, si hace viento, llueve o hay niebla.
 - Nunca corte cerca de cables de alimentación eléctrica.
- Su podador de varilla es una máquina diseñada para ser manejada por una sola persona.
 - No permita que otras personas se acerquen a la zona general de trabajo.
 - No se debe permitir la presencia de otras personas, especialmente niños, ni de animales, en los lugares en los que se esté usando la máquina.
 - Apague el motor inmediatamente si se le aproxima alguna persona.
- Para reducir el riesgo de que sufran lesiones las personas que se encuentran cerca o usuarios no autorizados:
 - Nunca deje el podador de varilla desatendido con la batería colocada.
 - Apague el podador de varilla y quite la batería durante los descansos y siempre que el podador de varilla no se utilice.
- Las chispas que se generan durante el funcionamiento del podador de varilla pueden encender gases, líquidos, vapores, polvos u otros materiales y sustancias combustibles. Para reducir el riesgo de incendio y explosión:
 - No utilice el podador de varilla en un lugar donde haya gases, líquidos, vapores, polvos u otros materiales y sustancias combustibles.
 - Lea y respete las recomendaciones dadas por las autoridades gubernamentales (por ejemplo, OSHA), para identificar y evitar los peligros que representan los gases, líquidos, vapores o polvos combustibles, así como otros materiales y sustancias combustibles.
- Si una cadena en movimiento choca contra una roca o contra otro objeto sólido, se pueden producir chispas, lo que, en determinadas circunstancias, puede encender materiales inflamables. Entre los materiales inflamables se incluyen la vegetación y los arbustos secos, en particular cuando el tiempo es cálido y seco.
 - Si existe riesgo de incendio leve o grave, no use su podador de varilla cerca de materiales inflamables, ni de vegetación o arbustos secos.
 - Póngase en contacto con las autoridades locales de control de incendios o con el servicio forestal de EE.UU. si tiene cualquier duda sobre si las condiciones de la vegetación y climáticas son adecuadas para el uso de un podador de varilla.
- El uso y el afilado de este podador de varilla puede generar polvo, neblina de aceite y otras sustancias que contienen productos químicos considerados como causantes de enfermedades respiratorias, cáncer, defectos congénitos u otros problemas reproductivos.
 - Infórmese en agencias gubernamentales como EPA, OSHA, CARB y NIOSH y en otras fuentes autorizadas sobre materiales peligrosos si desconoce los riesgos asociados con las sustancias concretas que va a cortar o con las que va a trabajar.
- La inhalación de determinados polvos, y especialmente de polvos orgánicos como el moho o el polen, puede provocar reacciones alérgicas o asmáticas en personas sensibles a estas sustancias. La inhalación repetida o en grandes cantidades de polvo o de otros contaminantes suspendidos en el aire, y especialmente de las partículas más pequeñas, puede causar enfermedades respiratorias o de otro tipo. Esto incluye el polvo de madera, especialmente de maderas duras, pero también de algunas maderas blandas como al del cedro rojo occidental.
 - Controle el polvo (como el aserrín), y las neblinas (como la neblina de aceite causada por la lubricación de la cadena) en su punto de origen siempre que sea posible.
 - Trabaje siempre con una cadena debidamente afilada que produzca virutas de madera en vez de polvo fino.
 - En la medida de lo posible, utilice el podador de varilla de modo que el viento o el propio proceso de trabajo dirijan el polvo, la neblina o cualquier otra sustancia particulada generada por el podador de varilla en dirección contraria al operador.
 - Si no es posible mantener el polvo y otras partículas inhalables a niveles de fondo o aproximadamente de fondo, siempre utilice una mascarilla aprobada por NIOSH

- que reúna las características adecuadas para las condiciones específicas de la zona de trabajo. Siga las recomendaciones de las entidades gubernamentales (por ejemplo, OSHA/NIOSH), y de las asociaciones laborales y comerciales.
- Si la vegetación que corta o el terreno de los alrededores están cubiertos por una sustancia química, como pesticidas o herbicidas:
 - Lea y siga las instrucciones y advertencias suministradas con la sustancia que se ha rociado sobre la vegetación o sobre el suelo de los alrededores.
 - La aspiración del polvo de asbesto es peligrosa y puede causar lesiones graves o mortales, enfermedades respiratorias o cáncer, incluido el mesotelioma. El uso y la eliminación de los productos que contienen asbesto están estrictamente reglamentados por OSHA y EPA.
 - No utilice su podador de varilla para cortar ni modificar productos de asbesto o que contengan asbesto.
 - Interrumpa el trabajo de inmediato y póngase en contacto con las autoridades estatales y locales competentes y/o con la EPA, con su empresa o con el representante local de OSHA, si tiene razones para creer que está alterando asbesto.
 - El contacto repetido con aceite usado puede causar cáncer de piel, y su utilización puede ser perjudicial para el medio ambiente.
 - No use aceite usado para lubricar la espada ni la cadena de su podador de varilla STIHL.
- Si la cadena se atasca, apague siempre el motor, saque la batería y asegúrese de que la cadena se ha detenido antes de proceder a la limpieza.
 - Si la espada/cadena se engancha y queda atrapada, apague el motor y saque la batería antes de intentar liberar la espada.
 - No ejerza presión sobre el podador de varilla cuando esté llegando al final del corte. La presión puede hacer que la espada y la cadena en movimiento salten fuera de la ranura de corte o de la entalla, que se descontrolen y que golpeen algún objeto.
- La cadena continúa moviéndose durante un periodo breve después de soltar por completo el gatillo.
 - Espere a que la cadena se detenga antes de caminar con el podador de varilla o de ponerlo en el suelo.
 - En caso de emergencia:
 - Apague el motor de inmediato y retire la batería.
 - El contacto con objetos extraños durante el serrado puede provocar que la cadena se rompa o salga despedida, o hacer que el podador de varilla lance residuos peligrosos o retroceda bruscamente hacia el operador. Para reducir el riesgo de lesiones graves o mortales provocadas por el contacto con objetos extraños:
 - Revise la rama antes de cortar.
 - Retire todos los objetos extraños para asegurarse de que la madera está libre de materiales como clavos, puntas, cables o alambres.
 - Antes de empezar a cortar, asegúrese de que el corte se puede completar sin que la máquina entre en contacto con objetos o estructuras de los alrededores, como obras de cantería o vallas.
 - La herramienta motorizada tiene un alcance muy amplio. Para reducir el riesgo de que las personas que se encuentran en los alrededores sufran lesiones graves o incluso mortales causadas por la caída de objetos o por un contacto accidental con el accesorio de corte:
 - Mantenga siempre una distancia de como mínimo 50 pies (15 m) con respecto a otras personas cuando use su herramienta motorizada.

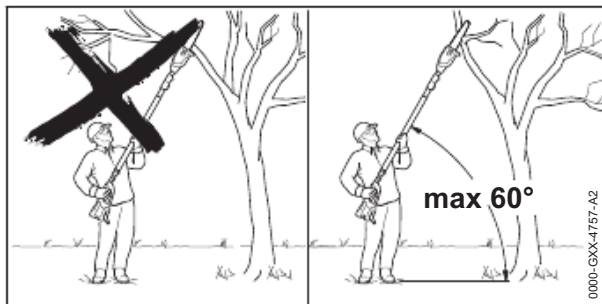
6.5.4 Instrucciones de manejo

⚠ ADVERTENCIA

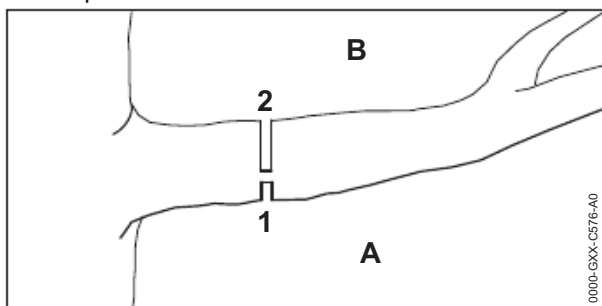
- Para reducir el riesgo de lesiones graves provocadas por un arranque accidental de la máquina:
 - Nunca toque la cadena con la mano ni con ninguna otra parte del cuerpo cuando la batería esté colocada, aunque la cadena no esté girando.
- Para reducir el riesgo de lesiones cortantes:
 - Mantenga las manos y los pies lejos de la cadena de aserrado.
 - Nunca toque una cadena que esté en movimiento con las manos ni con ninguna otra parte del cuerpo.
 - Saque la máquina del corte siempre con la cadena en marcha, para reducir el riesgo de que el accesorio de corte quede atrapado.



- No permita que otras personas se acerquen a la zona general de trabajo.
- No la maneje cerca de cables de alimentación eléctrica. La unidad no se ha diseñado para brindar protección contra descargas eléctricas en caso de contacto con cables eléctricos aéreos. Consulte las normas locales para conocer las distancias seguras de los cables eléctricos aéreos y asegúrese de que la posición de operación sea segura antes de manejar la podadora de pértiga de cadena de sierra.
 - Revise la cadena y la barra guía con frecuencia y regularidad durante el trabajo, o inmediatamente si nota cambios en el comportamiento de corte:
 - Apague el motor y quite la batería.
 - Revise el estado y la tensión de la cadena. Compruebe si la cadena o la espada presentan daños.
 - Si la cadena no se puede tensar correctamente, o si otros componentes del podador de varilla están desgastados o dañados, deje de trabajar inmediatamente y lleve su podador de varilla a un concesionario de servicio STIHL autorizado para que lo revisen, lo reparen o lo mantengan.
 - Si un árbol está podrido, puede romperse y caer hacia el operador mientras este intenta cortarlo. Para reducir el riesgo de lesiones provocadas por la caída de residuos, dé los pasos que figuran a continuación antes de empezar a trabajar:
 - Tenga en cuenta el estado general del árbol. Compruebe si se aprecian descomposición o podredumbre en el tronco y en las ramas. Compruebe si encuentra ramas muertas que podrían llegar a desprenderse a consecuencia de las vibraciones y caer sobre el operador.
 - Para evitar que las ramas más grandes se partan, haga un corte superficial en la parte inferior de las ramas antes de practicar el corte final desde arriba. Este procedimiento le ayudará a reducir los daños en el árbol y a predecir mejor cómo va a caer la rama.



- Para reducir el riesgo de lesiones graves o incluso mortales provocadas por la caída de objetos:
 - Nunca corte una rama que esté directamente sobre su cabeza. Sujete el podador de varilla a un ángulo de no más de 60° con respecto a la horizontal (véase la ilustración).
 - Nunca se coloque directamente debajo de la rama que está cortando.
 - Preste atención a las ramas que caen. Pueden caer objetos en direcciones inesperadas.
 - Establezca una vía de escape alejada de la zona en que prevé que caerán las ramas.
 - En cuanto la rama recortada empiece a caer, apártese y manténgase a una distancia adecuada.
 - Mantenga la zona de trabajo despejada y libre de ramas caídas y obstáculos. Mantenga todas las herramientas y equipos fuera de la zona en que está trabajando y de la ruta de salida.
- Hay un mayor riesgo de que el podador de varilla quede aprisionado cuando se cortan ramas en tensión. La tensión en la madera también se puede liberar repentinamente y con gran fuerza, impulsar la rama o el podador de varilla hacia el operador y provocar lesiones o la pérdida del control sobre la máquina.




- Para reducir el riesgo de lesiones graves o mortales provocadas por una pérdida de control cuando se corta madera bajo tensión:
 - Comience siempre con un corte de distensión (1) en el lado de compresión (A)

de la rama, y después haga un corte cruzado (2) en el lado de tensión (B).

- Si la espada/cadena se atasca y queda aprisionada, apague el motor, quite la batería y retire la podadora de pértiga de la rama, prestando atención para que la rama no se quiebre ni se desprenda de repente.



- Para reducir el riesgo de lesiones de cortes graves o mortales para el operador por pérdida de control, resbalos, tropiezos o caídas sobre ramas u otros materiales:
 - Sostenga la podadora de pértiga de modo que el acople de corte no toque el suelo.
 - Utilice siempre un arnés para el desrame próximo al nivel del suelo. Utilice sólo uno de los arneses permitidos,  27.

⚠ PELIGRO

- La electricidad puede saltar de un punto a otro formando arcos en el aire. Los niveles altos de voltaje aumentan la distancia sobre la cual la electricidad puede formar arcos. La electricidad también puede conducirse por las ramas de un árbol, especialmente si estas están húmedas. Para reducir el riesgo de electrocución:



- Nunca utilice este podador de varilla cerca de alambres o cables que puedan conducir corriente eléctrica. Preste atención y compruebe si hay alambres o cables ocultos antes de empezar a trabajar.
- Nunca corte cerca de cables de alimentación eléctrica.
- Sujete la herramienta motorizada únicamente por las zonas de agarre marcadas, pero no confíe en que estas zonas lo van a proteger de sufrir descargas eléctricas. Este podador no está aislado.



- Mantenga una distancia de al menos 50 pies (15 m) entre el podador de varilla (incluidas las ramas con las que está en contacto) y cualquier línea eléctrica que esté bajo tensión.
- Antes de trabajar a una distancia menor, póngase en contacto con la compañía eléctrica y asegúrese de que se ha interrumpido el suministro.

7 Contragolpe y otras fuerzas reactivas

7.1 Fuerzas reactivas

⚠ ADVERTENCIA

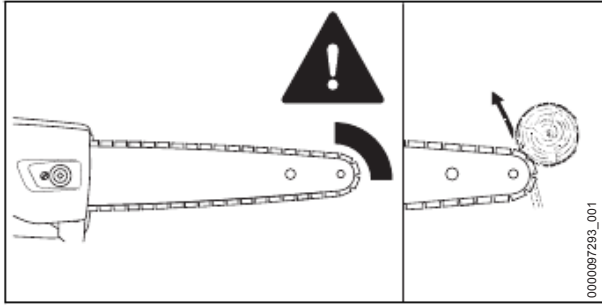
- Las fuerzas reactivas pueden producirse en cualquier momento cuando la cadena está girando. Las fuerzas reactivas pueden provocar lesiones graves o mortales.
- Las grandes fuerzas que se emplean para cortar madera pueden cambiar de sentido y volverse contra el operador. Si la cadena de aserrado en movimiento pierde velocidad o se detiene repentinamente al tocar un objeto sólido, como un tronco o una rama, o si queda aprisionada, se pueden generar inmediatamente fuerzas reactivas.
- Estas fuerzas reactivas pueden causar una pérdida de control que, a su vez, puede provocar lesiones graves o mortales.
 - Entender cuáles son las causas de estas fuerzas reactivas le puede ser de gran ayuda para evitar sorpresas y pérdidas de control. El efecto sorpresa favorece los accidentes.
- Debido al diseño del podador de varilla, las fuerzas reactivas que se producen cuando se trabaja con él no son, por lo general, tan severas como las que se producen con una motosierra.
 - Sin embargo, usted debe asegurarse de que tiene la herramienta siempre correctamente sujeta, y los pies, bien apoyados, para controlar el podador de varilla cuando se produzcan este tipo de fuerzas.

Las fuerzas reactivas más frecuentes son:

- Contragolpe
- Tirón
- Rechazo

7.2 Contragolpe

7.2.1 Contragolpe



⚠ ADVERTENCIA

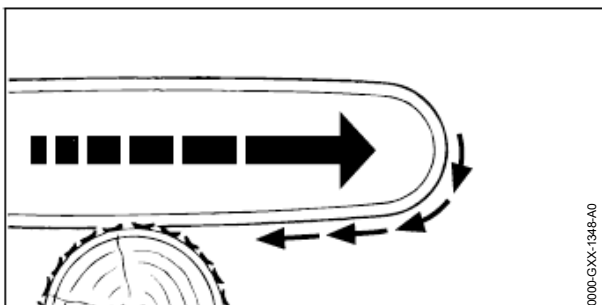
- El contragolpe se puede producir cuando la cadena en movimiento cerca del cuadrante superior de la punta de la espada toca un objeto sólido o queda aprisionada.
- Cuando esto sucede, la energía que impulsa la cadena puede generar una fuerza que mueve el podador de varilla en la dirección opuesta al sentido de giro de la cadena en el punto en que la cadena se ralentiza o se detiene. Esto puede provocar que la espada se mueva hacia arriba.

7.2.2 Para evitar el contragolpe

La mejor forma de protegerse de las lesiones que pueden resultar de un contragolpe es evitar las situaciones de contragolpe:

- 1) Tenga presente en todo momento la ubicación de la punta de la espada.
- 2) Nunca deje que la punta de la espada haga contacto con ningún objeto. No corte ramas con la punta de la espada. Proceda con especial cuidado cuando trabaje cerca de vallas de alambre y cuando corte ramas pequeñas, correosas, en las que la cadena podría engancharse fácilmente.
- 3) Corte solamente una rama a la vez.

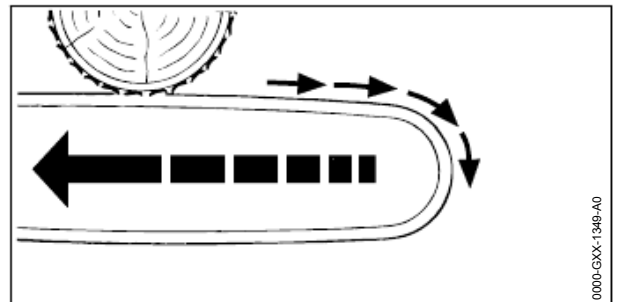
7.3 Tirón



⚠ ADVERTENCIA

- El tirón se produce cuando la cadena en la parte inferior de la espada se detiene repentinamente o se ralentiza de forma significativa porque está aprisionada o atrapada, o porque ha chocado contra algún objeto extraño en la madera. La reacción de la cadena tira del podador de varilla hacia adelante.
- Normalmente, los tirones se producen cuando la cadena no está rotando a su velocidad máxima antes de entrar en contacto con la madera.
- Para reducir el riesgo de que se produzca un tirón:
 - Manténgase alerta a las fuerzas o situaciones que puedan provocar que el material aprisione la cadena de la parte inferior de la espada.
 - Asegúrese de que la cadena gira a plena velocidad siempre que inicie un corte. Asegúrese de que la cadena gira a plena velocidad siempre que inicie un corte.

7.4 Rechazo



⚠ ADVERTENCIA

- El rechazo se produce cuando la cadena de la parte superior de la espada se detiene repentinamente o se ralentiza de forma significativa tras quedar enganchada o atrapada, o tras chocar contra algún objeto extraño oculto en la madera. La reacción de la cadena puede impulsar el podador de varilla repentinamente hacia atrás, contra el operador.
- Normalmente, el rechazo se produce cuando se utiliza la parte superior de la espada para cortar.
- Para reducir el riesgo de rechazo:
 - Esté alerta a las fuerzas o situaciones que puedan provocar que el material se enganche o quede aprisionado en la parte superior de la espada.
 - No corte más de una rama a la vez.

- No tuerza la espada cuando la retire de un corte por debajo, porque la cadena podría quedar aprisionada o atascada.

8 Seguridad de la batería

8.1 Advertencias e instrucciones

▲ ADVERTENCIA

- Lea y respete las medidas de seguridad que figuran en la batería, así como todas las advertencias e instrucciones que se adjuntan con ella.
- El uso de baterías no autorizadas puede causar daños en la herramienta motorizada y provocar incendios, explosiones, lesiones personales y daños materiales.
 - Use únicamente baterías auténticas de las gamas AR o AP de STIHL con esta herramienta motorizada.
- La utilización de baterías de las series AR o AP de STIHL para cualquier fin que no sea alimentar los productos de STIHL podría ser extremadamente peligroso.
 - Use las baterías de las gamas AR y AP de STIHL solo para proporcionar alimentación a productos de STIHL compatibles.
- El uso de cargadores no autorizados puede causar daños en la batería y provocar incendios, explosiones, lesiones y daños materiales.
 - Para cargar las baterías de la serie AP de STIHL, utilice siempre cargadores auténticos de las series AL 101, AL 301, AL 301-4 o AL 500 de STIHL.
 - Para cargar las baterías de mochila de la serie AR de STIHL, utilice siempre cargadores auténticos de las series AL 301, AL 301-4 o AL 500 de STIHL.
- La batería tiene funciones y dispositivos de seguridad que, de dañarse, pueden provocar que la batería genere calor, se rompa, pierda líquido, se incendie o explote.



- Nunca permita que la temperatura de la batería supere los 212 °F (100 °C).
- Nunca prenda fuego a la batería, ni la coloque sobre o junto a fuegos, estufas u otro tipo de objetos que alcancen temperaturas muy altas.

- Nunca use ni cargue una batería que no funcione correctamente o que esté dañada, agrietada, deformada o pierda líquido.

- Nunca abra, desmonte ni golpee la batería; no la deje caer ni la exponga a impactos fuertes o a daños de cualquier otro tipo.

- Nunca exponga la batería a microondas ni a presiones elevadas.
- Nunca introduzca objetos en las ranuras de ventilación de la batería.

- Las temperaturas extremas pueden hacer que la batería genere calor, se rompa, pierda líquido, se incendie o explote, lo que podría causar lesiones graves o fatales y daños materiales.

- Nunca cargue, utilice o almacene la batería fuera de los límites de temperatura ambiente especificados, 25.6.

- Para reducir el riesgo de que se produzcan lesiones personales y daños materiales en caso de que la batería humee, tenga un olor inusual o se caliente más de lo habitual durante el uso, la carga o el almacenamiento:

- Deje de usar o de cargar la batería inmediatamente. Póngase en contacto con las autoridades en caso de incendio o explosión.

- Para reducir el riesgo de que se produzca un cortocircuito, que podría causar, a su vez, una descarga eléctrica, un incendio o una explosión:



- Asegúrese de mantener secas las baterías de mochila AR 1000, 2000 y 3000 de STIHL. Protéjalas de la lluvia, del agua y de otros líquidos. Fije la cubierta para lluvia a la batería antes de empezar a trabajar bajo la lluvia o en condiciones muy húmedas.



- Si una batería de la gama AP o AR L de STIHL ha estado expuesta a la lluvia durante el trabajo, sáquela de la herramienta y déjela secar bajo techo. Asegúrese de que está completamente seca antes de cargarla o de usarla.
- Nunca sumerja en agua ni en ningún otro líquido una batería de STIHL.

- Nunca puentee las terminales de la batería con alambres ni con otros objetos metálicos.

- Cuando no la esté usando, mantenga la batería alejada de objetos metálicos pequeños capaces de conducir electrici-

- dad (p. ej., clips para papel, clavos, monedas, llaves).
- Guarde la batería bajo techo, en un lugar seco.
- Nunca guarde la batería en entornos húmedos o corrosivos, ni en condiciones que puedan provocar corrosión en los componentes metálicos.
- Nunca guarde la batería en la herramienta motorizada.
- Cuando guarde la batería, mantenga una carga del 40 % al 60 % para las baterías de la serie AP de STIHL y una carga del 30 % al 45 % para las baterías de la serie AR de STIHL (2 LEDs verdes).
- Si guarda la batería en el cargador, desconecte el cargador del tomacorriente.
- Proteja la batería de la exposición a productos corrosivos, como las sustancias químicas utilizadas en el jardín o las sales descongelantes.
- Proteja la batería de la exposición a líquidos conductores como el agua salada.
- No intente reparar, abrir ni desmontar la batería. No contiene ninguna pieza que el usuario pueda reparar sin ayuda.
- El líquido que contiene la batería, y que puede derramarse en determinadas circunstancias, es potencialmente nocivo y puede provocar irritaciones en los ojos y en la piel, quemaduras químicas y otras lesiones graves.
 - Evite el contacto con la piel y con los ojos.
 - Para recoger el líquido de batería derramado, use un producto absorbente inerte, como la arena.
 - En caso de contacto accidental, limpie inmediatamente y a fondo la zona afectada con un jabón suave y agua.
 - Si le entra líquido de batería en los ojos: no se los frote. Aclárese los ojos con agua corriente durante al menos 15 minutos y acuda al servicio médico más cercano.
- Si la batería se prende fuego, puede resultar peligrosa. Para reducir el riesgo de que se produzcan lesiones personales graves y daños materiales, en caso de incendio:
 - Evacue la zona. El fuego se puede extender rápidamente. Manténgase lejos de cualquier vapor que se genere y respete una distancia de seguridad suficiente.
 - Avise a los bomberos.
 - Aunque se puede usar agua para apagar un incendio de batería, es preferible utilizar un extintor de incendios de polvo químico multiuso.

- Consulte al departamento de bomberos cómo desechar correctamente una batería quemada.

9 Mantenimiento, reparación y almacenamiento

9.1 Advertencias e instrucciones

▲ ADVERTENCIA

- La batería y el podador de varilla no contienen piezas que el usuario esté autorizado a reparar. Para reducir el riesgo de incendios, descargas eléctricas o lesiones de otro tipo, así como de daños materiales:
 - Los usuarios deben realizar únicamente los trabajos de mantenimiento y limpieza que se describen en este manual.
 - Respete rigurosamente las instrucciones de limpieza y mantenimiento que se dan en las secciones correspondientes de este manual de instrucciones.
 - STIHL le recomienda que encargue la realización de los trabajos de reparación a un concesionario de servicio STIHL autorizado.
- Un arranque accidental puede provocar lesiones o daños materiales. Para reducir el riesgo de lesiones y de daños materiales provocados por la activación accidental:
 - Quite la batería antes de inspeccionar el podador de varilla o de realizar alguna tarea de limpieza, mantenimiento o reparación, antes de guardarlo y siempre que el aparato no esté en uso.
- La espada y la cadena son las únicas piezas del podador de varilla que el usuario puede mantener. Un mantenimiento adecuado ayudará a conservar el rendimiento de corte y a reducir el riesgo de lesiones provocadas por un descarrilamiento de la cadena o por las fuerzas reactivas.
 - Siempre use guantes cuando manipule la cadena de aserrado.
 - Mantenga la cadena, la espada y el piñón limpios en todo momento.
 - Sustituya la cadena y la espada cuando se desgasten o sufran daños.
 - Mantenga la cadena afilada y correctamente tensada.
 - Tighten all nuts, bolts and screws after each use.



- Lleve el podador de varilla inmediatamente a mantenimiento si nota un cambio en sus características de funcionamiento.
- El uso de piezas no autorizadas o no aprobadas por STIHL puede provocar lesiones graves o mortales, así como daños materiales.
 - Para llevar a cabo tareas de reparación o mantenimiento, STIHL recomienda utilizar únicamente piezas de repuesto STIHL idénticas a las originales.
- Para reducir el riesgo de cortocircuitos e incendios:
 - Mantenga las ranuras de la batería libres de cuerpos extraños. Límpielos siempre que sea necesario con un paño seco o con un cepillo suave y seco.
- Si no se almacenan correctamente, es posible que el podador de varilla y la batería sean utilizados por personas no autorizadas, que sufran daños y que aumente el riesgo de incendios, de descarga eléctrica y de otro tipo de lesiones o de daños materiales.
 - Retire la batería de la podadora de pértiga antes de guardarla.
 - Nunca guarde la podadora de pértiga con la batería puesta.
 - Cuando guarde la batería, mantenga una carga del 40 % al 60 % para las baterías de la serie AP de STIHL y una carga del 30 % al 45 % para las baterías de la serie AR de STIHL (2 LEDs verdes).
 - Si guarda la batería en el cargador, desconecte el cargador del tomacorriente.
 - Guarde la podadora de pértiga y la batería bajo techo, en un lugar seco y seguro al que no puedan acceder niños ni otras personas no autorizadas.
 - Nunca guarde la batería en la podadora de pértiga ni en un contenedor con objetos metálicos pequeños capaces de conducir electricidad (por ejemplo, clips de papel, clavos, monedas, llaves).










INDICACIÓN

- Siempre destense la cadena cuando haya terminado el trabajo. Cuando se enfría, la cadena se contrae. Si no se afloja, puede provocar daños en el eje de transmisión y en los cojinetes. Antes de volver a usar la podadora de pértiga, no olvide tensar de nuevo correctamente la cadena.

10 Antes de empezar a trabajar

10.1 Preparación del podador de varilla para el funcionamiento

Antes de empezar a trabajar:


- ▶ Cargue por completo la batería,  11.
- ▶ Monte el podador de varilla,  14.
- ▶ Monte la espada y la cadena de aserrado,  14.8.1.
- ▶ Tense la cadena,  14.9.
- ▶ Llene el tanque de aceite de la cadena,  14.10.2.
- ▶ Compruebe si los controles funcionan correctamente y si están en buen estado,  17.1.
- ▶ Revise el flujo de aceite de la cadena,  17.2.
- ▶ Ajuste la longitud del tubo de mando,  18.1.
- ▶ Colóquese la correa para el hombro y ajústela,  18.3.

11 Carga de la batería

11.1 Preparación del cargador para el funcionamiento



ADVERTENCIA

- Lea y respete las precauciones de seguridad dadas en la batería y en el cargador y todas las advertencias e instrucciones que acompañan a dichos productos. Para reducir el riesgo de cortocircuito, que podría provocar una descarga eléctrica, un incendio y una explosión, asegúrese de que el cargador y sus componentes estén secos y no estén dañados. Lea y siga las advertencias e instrucciones en el manual de su cargador. Para un rendimiento óptimo, respete los rangos de temperatura ambiente recomendados,  25.7.

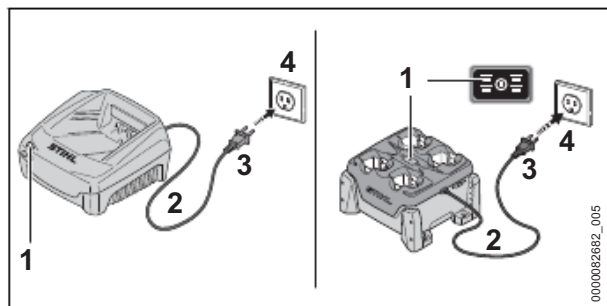
! ADVERTENCIA

- Un circuito eléctrico doméstico típico suministra entre 15 y 20 amperios. Un cargador STIHL AL 500 consume aproximadamente 4.8 amperios. Un solo cargador AL 301 o AL 301-4 consume aproximadamente 4.4 amperios, mientras que un AL 101 consume aproximadamente 1.3 amperios. Para reducir el riesgo de incendios provocados por la sobrecarga de un circuito eléctrico:
 - Asegúrese de que el sistema eléctrico tiene capacidad suficiente para resistir el consumo eléctrico previsto antes de cargar la batería.
 - Si tiene que cargar varias baterías, cárguelas una a la vez o en circuitos separados, a menos que tenga la certeza de que su circuito resistirá el consumo total que necesitan todos los cargadores.

! ADVERTENCIA

- Dado que el cargador se calienta durante el proceso de carga, no haga funcionar el cargador sobre superficies que puedan incendiarse o en un lugar donde haya gases, líquidos, vapores, polvo u otros materiales y sustancias combustibles.

Para preparar el cargador para el funcionamiento:



- ▶ Inserte el enchufe (3) en una toma de corriente eléctrica (4) correctamente instalada y que coincida con la tensión y la frecuencia eléctrica indicadas en la placa de características del cargador.

El cargador ejecutará una autoprueba inmediatamente después de enchufarlo. El LED del cargador (1) se iluminará en verde durante 1 segundo aproximadamente, y luego en rojo por un lapso breve hasta apagarse. Una vez que el LED se apaga, la autoprueba ha finalizado y el cargador está listo para cargar la batería.

- ▶ Coloque el cable eléctrico (2) de modo que no se pueda pisar, no cause tropiezos, no esté en contacto con objetos cortantes o con partes móviles y no pueda sufrir daños ni esté sujeto a esfuerzos de otro tipo.

11.2 Carga

! ADVERTENCIA

- Las baterías STIHL tienen características y dispositivos de seguridad que, de dañarse, pueden provocar que la batería genere calor, se rompa, pierda líquido, se incendie o explote. Nunca cargue una batería que funcione mal o que esté dañada, deformada o tenga fugas, ni utilice un cargador averiado. Nunca inserte una batería húmeda ni un adaptador de batería que esté mojado. Nunca use un cargador que esté mojado. Respete todas las advertencias e instrucciones específicas de su batería y de su cargador.

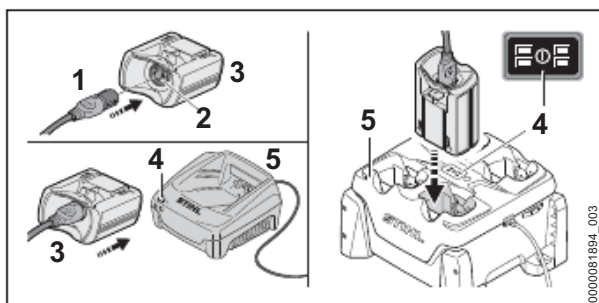
La batería no se suministra completamente cargada de fábrica. STIHL le recomienda que cargue la batería por completo antes de usarla por primera vez.

Lea y siga las advertencias e instrucciones en el manual de su cargador. Para un rendimiento óptimo, respete los rangos de temperatura ambiente recomendados, 25.7.

La batería se calienta durante el funcionamiento de la herramienta motorizada. Si se conecta al cargador una batería caliente, puede ser necesario esperar a que se enfríe para que empiece a cargarse. El proceso de carga solo comienza una vez que la batería se ha enfriado lo suficiente.

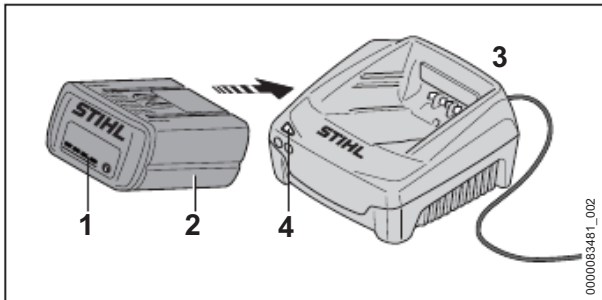
El tiempo de carga depende de varios factores, tales como el estado de la batería y la temperatura ambiente. Si quiere ver una lista completa de los tiempos de carga aproximados, visite www.stihl.com/charging-times.

Para cargar una batería AR:



- ▶ Inserte el enchufe del cable de conexión (1) en el tomacorriente (2) del adaptador AP (3), hasta el tope.
- ▶ Inserte el adaptador AP en el cargador (5) hasta que haga tope.
El LED (4) del **cargador** se ilumina en verde cuando la batería se está cargando.
Los LED de la **batería AR** se iluminan en verde e indican el estado de carga.
Cuando los LED de la batería se apagan, el proceso de carga p65-ha finalizado y el cargador se apaga automáticamente. El adaptador AP se puede retirar del cargador.
- ▶ Desenchufe el cable de alimentación del tomacorriente cuando el cargador no se vaya a usar durante un periodo prolongado.
- ▶ Cargue las baterías de mochila AR de STIHL únicamente con cargadores auténticos de las series AL 301, AL 301-4 o AL 500 de STIHL.

Para cargar una batería AP:



- ▶ Inserte la batería (2) en el cargador (3) hasta que haga tope.
El LED del **cargador** se ilumina en verde cuando la batería se está cargando.
Los LED (1) de la **batería AP** se iluminan en verde e indican el estado de la carga.
Cuando los LED de la batería se apagan, el proceso de carga p65-ha finalizado y el cargador se apaga automáticamente. La batería AP se puede retirar del cargador.
- ▶ Desenchufe el cable de alimentación del tomacorriente cuando el cargador no se vaya a usar durante un periodo prolongado.
- ▶ Cargue las baterías de la serie AP de STIHL únicamente con cargadores auténticos de las series AL 101, AL 301, AL 301-4 o AL 500 de STIHL.

12 Diagnóstico por LED y señales acústicas

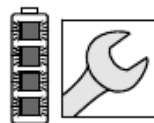
12.1 Batería AP de STIHL

12.1.1 Estado de la batería

Cuatro LED muestran el estado de la batería. Estos LED pueden encenderse o destellar en verde o rojo.



Si un LED se enciende en rojo continuamente, la batería está demasiado caliente o demasiado fría. Deje que la batería se caliente o se enfríe gradualmente a una temperatura ambiente de aproximadamente 10 °C a 20 °C (50 °F a 68 °F).




Si los cuatro LED destellan en rojo: la batería está averiada y debe reemplazarse. No intente cargar, usar ni guardar la batería.

12.1.2 Estado de la herramienta motorizada

Los mismos LED en la batería indican el estado de la herramienta motorizada.

Si tres LED se encienden en rojo continuamente, el motor de la herramienta motorizada está demasiado caliente. Deje que el motor se enfríe.

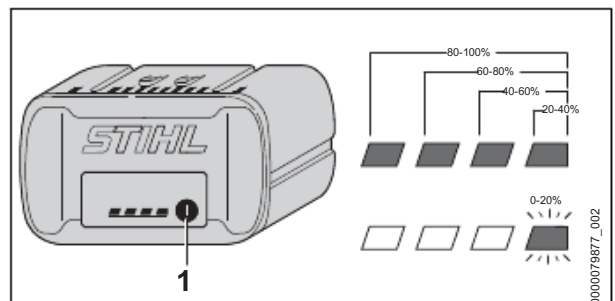
Si tres LED destellan en rojo cuando activa el gatillo, la herramienta motorizada tiene un defecto eléctrico. No utilice la herramienta motorizada. Solicite a un concesionario de servicio STIHL autorizado que la revise antes de usarlo.

Para información de localización de averías,  24.

12.1.3 Estado de carga

Los LEDs en la batería también muestran el estado de carga de la batería.

Para determinar el estado de carga de la batería:



- ▶ Presione el botón (1) en la batería.
Los LEDs de la batería se encenderán o destellarán en verde por unos 5 segundos e indicarán el estado de carga (vea la ilustración).

Por ejemplo:

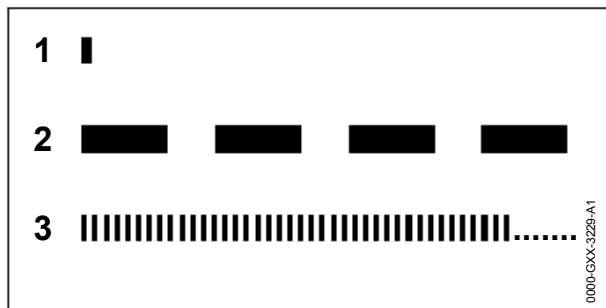
Si cuatro LED se encienden en verde continuamente, la carga está completa.

Si un LED destella en verde, queda menos del 20 % de la carga.

12.2 Batería de mochila STIHL AR

12.2.1 Estado de la batería

Seis LED y una señal acústica denotan el estado de la batería.



1 Un pitido breve

La señal acústica funciona como debe hacerlo.

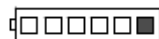
2 Cuatro o seis tonos largos (AR L)

La batería tiene poca carga. Recargue la batería.

3 Sucesión rápida de pitidos breves

Hay una falla en la batería. La señal se detiene automáticamente al cabo de unos segundos. No intente cargar, usar ni guardar la batería. Sustituya la batería.

Estos LED pueden encenderse o destellar en verde o rojo.



Si un LED se enciende en rojo continuamente, la batería está demasiado caliente o demasiado fría. Deje que la batería se caliente o se enfríe gradualmente a una temperatura ambiente de aproximadamente 10 °C a 20 °C (50 °F a 68 °F).



Si los cuatro LED derechos destellan en rojo y se escucha una sucesión rápida de pitidos breves: la batería está averiada y es necesario reemplazarla. No intente cargar, usar ni guardar la batería.



- Sea consciente de que su capacidad para oír la señal acústica puede verse disminuida si usa protectores para oídos.

12.2.2 Estado de la herramienta motorizada

Cuando la batería está conectada con la herramienta motorizada, los mismos LED en la batería indicarán el estado de la herramienta motorizada.

Si tres LED se encienden en rojo continuamente, el motor de la herramienta motorizada está demasiado caliente. Deje que el motor se enfríe.

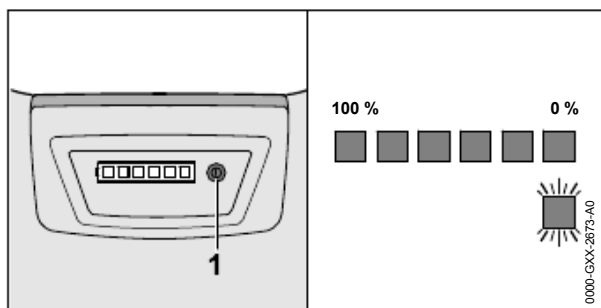
Si tres LED destellan en rojo cuando activa el gatillo, la herramienta motorizada tiene un defecto eléctrico. No utilice la herramienta motorizada. Solicite a un concesionario de servicio STIHL autorizado que la revise antes de usarlo.

Para información de localización de averías, 24.

12.2.3 Estado de carga

Los LED y señales acústicas en la batería también muestran el estado de carga de la batería.

Para determinar el estado de carga de la batería:



- Pulse el botón (1) en la batería tipo mochila.

Se escucha un pitido breve. Los LED de la batería se encenderán o destellarán en verde por unos 5 segundos e indicarán el estado de carga (vea la ilustración).

Por ejemplo:

Si seis LED se encienden en verde continuamente, la carga está completa.

Si un LED verde destella y se escuchan cuatro pitidos largos: resta menos de un 20 % de carga.

13 Batería de mochila STIHL AR

13.1 Colocación y ajuste del cordón de conexión

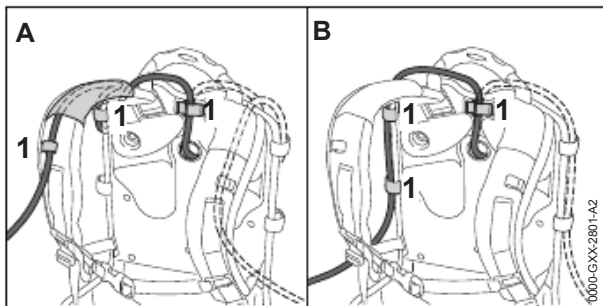
ADVERTENCIA

- Para reducir el riesgo de lesionarse por tropezarse con el cordón de conexión o por la pérdida del control de la herramienta motorizada, siempre asegure el cordón por las guías presentes en la mochila y con los cierres de velcro, de la manera descrita a continuación: Coloque y asegure el cordón de conexión de modo que no interfiera con las técnicas de trabajo adecuadas ni con su capacidad de mantener el control de la herramienta motorizada.

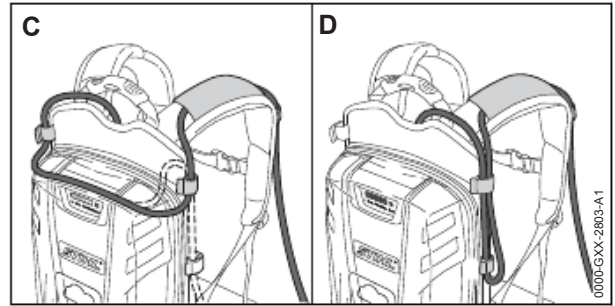
ADVERTENCIA

- Coloque el cordón de manera que se impida que entre en contacto con el accesorio de corte/trabajo o que se enganche en algún objeto, lo cual podría hacerle perder el equilibrio o el control de la herramienta motorizada y dar por resultado lesiones personales graves y daños a la propiedad.

El cordón de conexión puede asegurarse en posiciones diferentes y ajustarse según la estatura y el alcance del operador.



El cordón de conexión puede pasarse por la guía en la correa para el hombro (ilustración A) o a lo largo de la placa trasera (ilustración B). Asegure el cordón de conexión al bastidor de la mochila y con los cierres de velcro (1). Siempre asegure el cordón de conexión utilizando la guía o cierres de velcro hacia el mismo lado del cuerpo en el cual se sujeta y se controla la herramienta motorizada. No permita que el cordón de conexión penda delante de su cuerpo ni a su costado.



La longitud del cordón de conexión puede ajustarse por medio de formar un lazo por la parte superior (Ilust. C) o por el costado (Ilust. D) de la batería tipo mochila, fijándolo con cierres de velcro.

13.2 Colocación del arnés

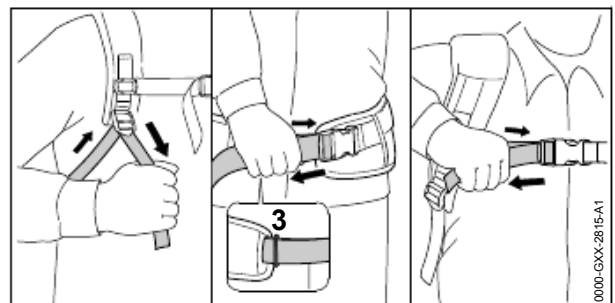
ADVERTENCIA

- Para reducir el riesgo de lesiones personales en caso de una emergencia, el operador deberá poder quitarse la batería de mochila rápidamente. En caso de emergencia, desabroche y quítese el cinturón y la tira de pecho rápidamente, antes de dejar caer la batería al suelo.

Para asegurar una colocación adecuada:



- Colóquese la batería tipo mochila sobre la espalda.
- Abroche y ajuste el cinturón (2) de modo que repose de manera cómoda pero segura sobre sus caderas.
- Abroche la tira para el pecho (1) y ajústela de modo que quede cómoda pero segura por su pecho.



- ▶ Ajuste las tiras del arnés de modo que la almohadilla de la placa quede firme y segura contra su espalda.
- ▶ Pase el extremo del cinturón por dentro del lazo (3).
- ▶ Para quitarse el arnés, desabroche las hebillas de soltado rápido del cinturón y de la tira para el pecho y afloje las tiras del arnés por medio de levantar los ajustadores deslizantes.



Para ayudar a reducir el riesgo de lesionarse en caso de emergencia, practique la apertura rápida del sujetador del cinturón y de la correa de pecho, el soltado de las correas de hombro y despojarse de la batería.

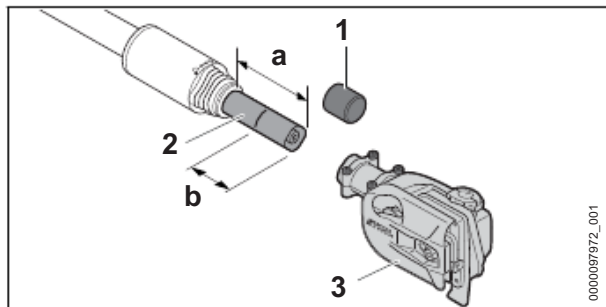
INDICACIÓN


- Para evitar daños, coloque la batería suavemente en el suelo cuando esté practicando. No permita que la batería caiga al suelo ni la lance.

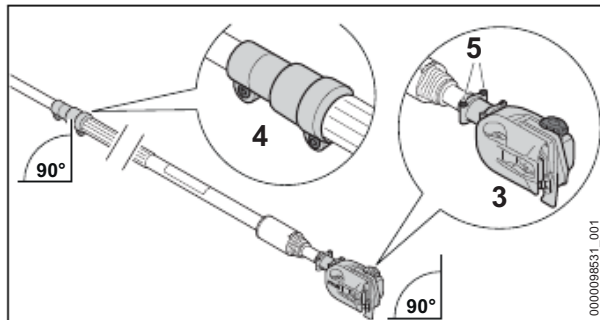
14 Montaje del podador de varilla


14.1 Montaje de la caja de engranajes

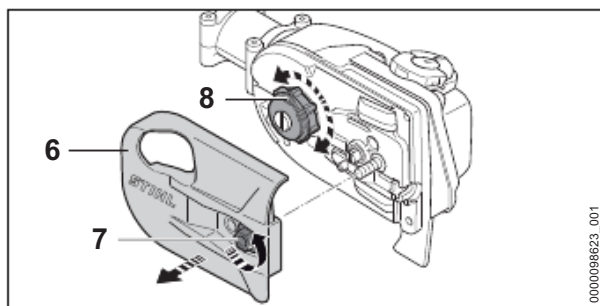
- ▶ Apague el podador de varilla,  16.2.
- ▶ Retire la batería,  15.2.




- ▶ Retire la tapa (1) del extremo cuadrado del tubo de mando (2).
- ▶ Ajuste la longitud del tubo de mando a = 3.9 in. (10 cm),  18.1 (sólo HTA 160.0).
- ▶ Marque el tubo de mando en b = 2,4 in (6 cm).
- ▶ Encaje la caja de engranajes en el tubo de mando, hasta la marca b.





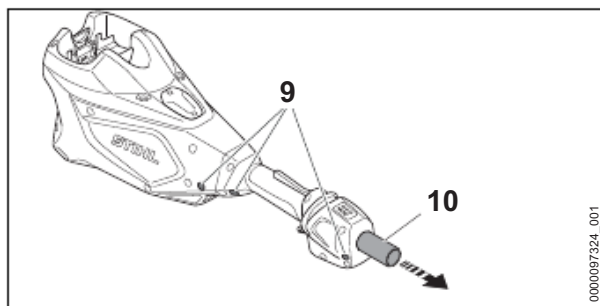
- ▶ Alinee el manguito de sujeción (4) (sólo HTA 160.0) y la caja de engranajes (3) como se muestra en la figura. Asegúrese de que los tornillos del manguito de sujeción quedan en la parte inferior del tubo de mando y de que la tapa de aceite de la caja de engranajes queda hacia arriba.
- ▶ Apriete los tornillos  (5).




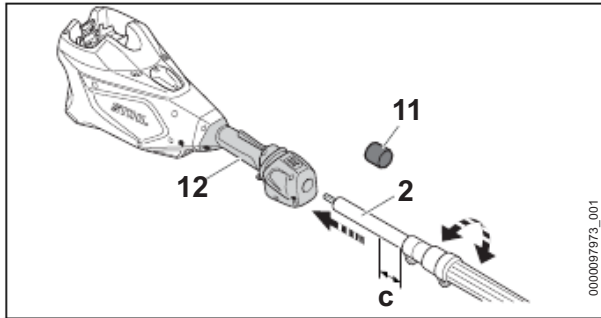
- ▶ Si la caja de engranajes no se puede encajar en el tubo de mando hasta la marca b:
 - ▶ Retire la cubierta del piñón de la cadena (6) girando la tuerca (7) en sentido antihorario.
 - ▶ Gire el piñón de la cadena (8) hasta que pueda encajar la caja de engranajes en el tubo de mando hasta la marca "b".
 - ▶ Cambie la cubierta del piñón de la cadena y asegure la tuerca después de montar la espada y la cadena,  14.8.1.

14.2 Montaje de la carcasa del motor (sólo HTA 160.0)

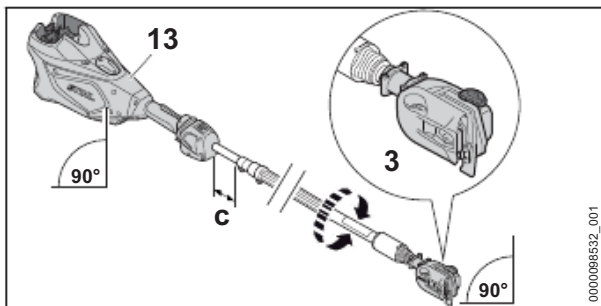
- ▶ Apague la podadora de pértiga,  16.2.
- ▶ Retire la batería,  15.2.



- ▶ Afloje los tornillos  (9).
- ▶ Retire el tubo protector (10).



- ▶ Retire la tapa (11) del extremo redondo del tubo de mando (2).
- ▶ Rote el tubo de mando hasta que se pueda meter por la abertura del mango de control (12). Para ello puede ser necesario rotar el eje impulsor hacia delante y hacia atrás hasta que los dos queden alineados.
- ▶ Deslícelo en dirección al mango de control hasta que $c = 0,8 \text{ in (2 cm)}$.





- ▶ Alinee la carcasa del motor (13) y la caja de engranajes (3) como se muestra en la ilustración. Asegúrese de que la abertura de la batería y la tapa de aceite quedan hacia arriba.
- ▶ Apriete los tornillos (9).

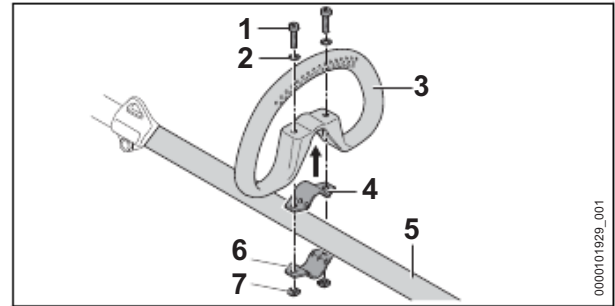
14.3 Montaje del mango circular (sólo HTA 150.0 en versión forestal)

⚠ ADVERTENCIA

- Para reducir el riesgo de lesionarse por la pérdida del control sobre la máquina, compruebe que el mango circular está montado de forma correcta y segura antes de empezar a trabajar.

Para montar el mango circular:



- ▶ Apague la podadora de pértiga,  16.2.
- ▶ Retire la batería,  15.2.

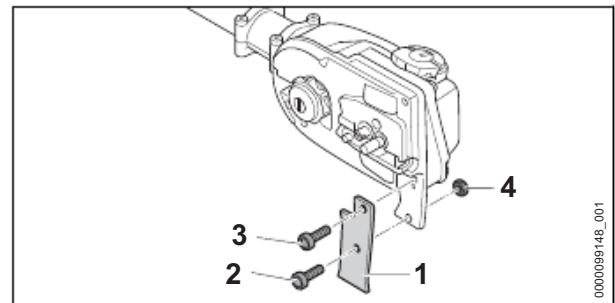


- ▶ Coloque una abrazadera (4) en el mango circular (3).
- ▶ Coloque la otra abrazadera (6) contra la parte inferior del tubo de mando (5) y alinee los orificios del mango circular y de las abrazaderas.
- ▶ Coloque arandelas (2) en los tornillos (1) e introduzca los tornillos por los orificios del mango circular y de las abrazaderas.
- ▶ Coloque las tuercas cuadradas (7) y apriételas hasta que queden firmes. Asegúrese de que el mango esté bien fijo y de que no se moverá durante el funcionamiento.

14.4 Montaje del gancho extendido (HTA 150.0 sólo en versión forestal)

Para montar el gancho:

- ▶ Apague la podadora de pértiga,  16.2.
- ▶ Retire la batería,  15.2.



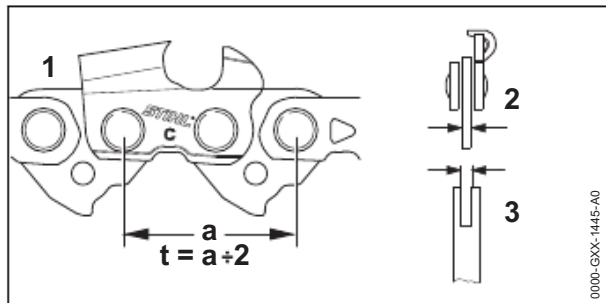
- ▶ Coloque el gancho extendido (1).
- ▶ Inserte y apriete el tornillo (3) bien firme.
- ▶ Inserte el tornillo (2) y apriételo bien firme con la tuerca (4). Asegúrese de que el gancho extendido esté bien fijo y de que no se moverá durante el funcionamiento.

14.5 Accesorio de corte

⚠ ADVERTENCIA

- Si no se utilizan los componentes correspondientes, el accesorio de corte se dañará de manera permanente después de un período breve de uso, y la cadena podría descarrilarse y causar lesiones personales graves o fatales.

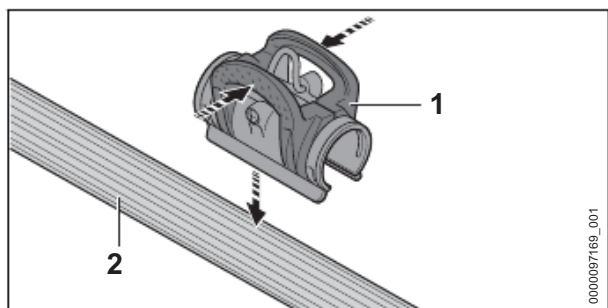
Un accesorio de corte consta de la cadena, la espada y el piñón.



- El paso (t) de la cadena (1) deberá coincidir con el paso del piñón.
- El grueso del eslabón impulsor (2) de la cadena de aserrado debe corresponder con el ancho de la ranura de la espada (3).

14.6 Montaje del clip para arnés (sólo HTA 160.0)

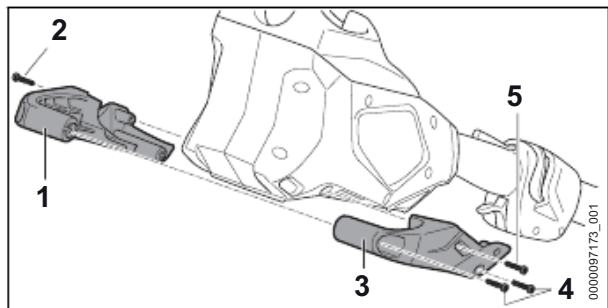
- ▶ Apague la podadora de pértiga, 16.2.
- ▶ Retire la batería, 15.2.



- ▶ Comprima el clip para arnés (1) y colóquela en el mango delantero (2).

14.7 Montaje del apoyo de la máquina

- ▶ Apague el podador de varilla, 16.2.
- ▶ Retire la batería, 15.2.



- ▶ Coloque la mitad izquierda del apoyo de la máquina (1) contra el lado de la carcasa del motor.
- ▶ Inserte el tornillo (2).

- ▶ Coloque la mitad derecha del apoyo de la máquina (3) contra el lado de la carcasa del motor.
- ▶ Inserte el tornillo (5).
- ▶ Inserte y apriete los tornillos (4).
- ▶ Apriete los tornillos (2) y (5).

14.8 Montaje y retiro de la espada y la cadena de aserrado

14.8.1 Montaje de la espada y de la cadena

ADVERTENCIA

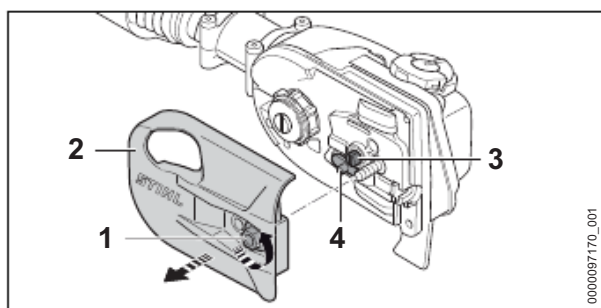
- Antes de comenzar el montaje, asegúrese de que p70-ha retirado la batería. Nunca ponga en funcionamiento el podador de varilla si la espada y la cadena no se han montado correctamente, 6.5. Use solo las combinaciones de espada y cadena expresamente recomendadas o aprobadas por STIHL, 6.4.

ADVERTENCIA

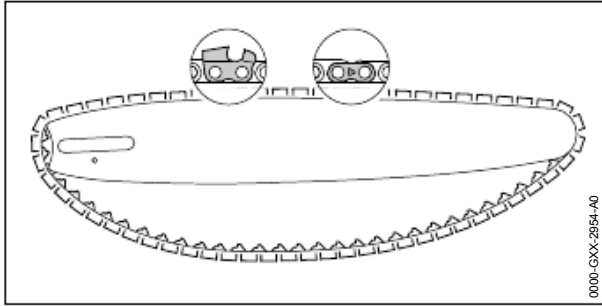
- La cadena tiene muchos cortadores afilados. Si entran en contacto con alguna parte de su cuerpo, le causarán una herida, aunque la cadena esté detenida, 6.4. Use guantes de trabajo resistentes siempre que monte o manipule de cualquier modo la cadena, 6.3.

Para montar la espada y la cadena:

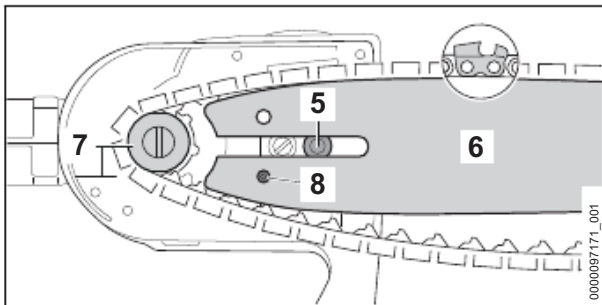
- ▶ Apague el podador de varilla, 16.2.
- ▶ Retire la batería, 15.2.



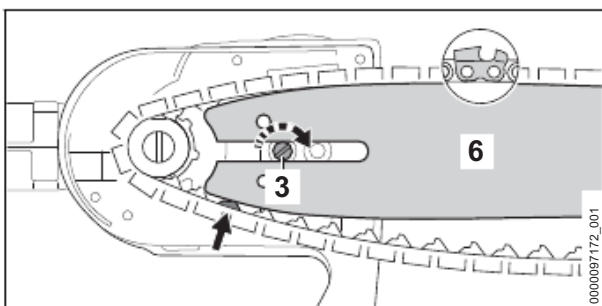
- ▶ Gire la tuerca (1) en sentido contrahorario hasta que se pueda retirar la cubierta del piñón de la cadena (2).
- ▶ Quite la cubierta del piñón de la cadena.
- ▶ Gire el tensor lateral de la cadena (3) en sentido contrahorario hasta que el engranaje tensor (4) quede alineando contra la carcasa.



- ▶ Coloque la cadena en la ranura de la espada, empezando por la punta.
- ▶ Asegúrese de que los cortadores de la ranura de la parte lateral superior de la espada quedan orientados hacia la punta de la espada. Las cadenas de STIHL llevan de fábrica unas flechas en las correas que ayudan al operador a determinar el sentido de giro correcto de la cadena. Las flechas de las correas de amarre de la parte superior de la espada deben quedar orientadas hacia la punta de la barra.



- ▶ No oriente la punta de la espada hacia el piñón de la cadena (7).
- ▶ Coloque la cadena alrededor del piñón de la cadena.
- ▶ Pase la espada (6) por el tornillo con collar (5). La cabeza del tornillo con collar debe sobresalir por el orificio oblongo.
- ▶ Encaje la clavija del engranaje tensor en el orificio (8) de la espada.



- ▶ Dirija los eslabones impulsores hacia la ranura de la espada (6, flecha) mientras gira el tensor lateral de la cadena (3) en sentido horario hasta que se detenga.

La espada y la cadena deben estar montadas en el podador de varilla de forma firme y segura.

- ▶ Coloque la cubierta del piñón de la cadena en el podador de varilla de modo que quede alineada con la carcasa.
- ▶ Gire la tuerca en sentido horario hasta que la cubierta del piñón de la cadena quede firmemente sujeta al podador de varilla.

14.8.2 Retiro de la espada y la cadena

- ▶ Desatornille la tuerca que sujeta la cubierta del piñón de la cadena.
- ▶ Quite la cubierta del piñón de la cadena.
- ▶ Gire el tensor lateral de la cadena en sentido contrahorario hasta que se detenga y la cadena de aserrado se afloje.
- ▶ Retire la espada y la cadena

INDICACIÓN

- Las partes superior e inferior de la espada son simétricas y la espada debe montarse con la impresión hacia arriba o hacia abajo. Girar la espada cada vez que la cadena se afila o cambia ayudará a reducir el desgaste desparejo y mejorar su vida útil.

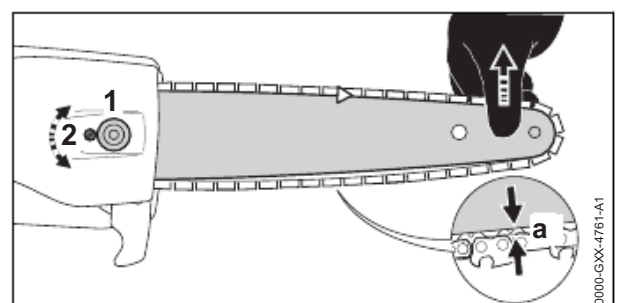
14.9 Tensado de la cadena

! ADVERTENCIA

- Para reducir el riesgo de lesiones personales provocadas por un descarrilamiento de la cadena, compruebe con frecuencia la tensión de la cadena, [libro 6.5](#). A las temperaturas de funcionamiento, la cadena se dilata y se comba. Las cadenas nuevas tienden a dilatarse más que las que están más usadas. Tense la cadena de modo que los eslabones impulsores no puedan salirse de la ranura en la parte inferior de la espada.

Para tensar correctamente la cadena:

- ▶ Apague el podador de varilla, [libro 16.2](#).
- ▶ Retire la batería, [libro 15.2](#).



- ▶ Afloje la tuerca (1).

- ▶ Levante la punta de la espada.
- ▶ Gire el tensor lateral de la cadena (2) en sentido horario para apretar la cadena.
La cadena está bien ajustada cuando la distancia (a) entre la parte inferior de la espada y la cadena es de entre 0,04 in (1 mm) y 0,08 in (2 mm), y cuando la cadena se puede desplazar por la espada fácilmente tirando de ella con la mano. Siempre use guantes cuando manipule la cadena.
- ▶ Si la cadena no se puede mover a lo largo de la espada, es que se ha tensado demasiado.
 - Reduzca la tensión girando el tensor lateral de la cadena en sentido antihorario hasta que la cadena se pueda mover libremente por la espada.
 - Asegúrese de que los eslabones impulsores permanecen dentro de la ranura y de que la distancia (a) entre la parte inferior de la espada y la cadena es de entre 0,04 in (1 mm) y 0,08 in (2 mm).
- ▶ Una vez que la cadena esté tensada correctamente, levante la punta de la espada y apriete la tuerca para asegurar la cubierta del piñón de la cadena.
- ▶ Por último, asegúrese de que la distancia (a) entre la parte inferior de la espada y la cadena es de entre 0,04 in (1 mm) y 0,08 in (2 mm).

INDICACIÓN

- Destense la cadena siempre cuando haya terminado el trabajo. Cuando se enfría, la cadena se contrae. Si no se afloja, puede provocar daños en el tubo impulsor y en los cojinetes. Antes de volver a usar el podador de varilla, no olvide tensar de nuevo correctamente la cadena.

14.10 Lubricación de la cadena de aserrado y de la espada

14.10.1 Lubricante de la espada y la cadena



ADVERTENCIA

- Nunca use su podador de varilla si la espada y la cadena no se lubrican. Si la cadena se seca, el accesorio de corte sufrirá daños irreparables en muy poco tiempo. Una cadena dañada puede romperse y provocar lesiones personales muy graves, incluso mortales. Compruebe siempre la lubricación de la cadena y el nivel de aceite del depósito antes de empezar a trabajar, y con frecuencia mientras utiliza la motosierra.



ADVERTENCIA

- Nunca use aceite de desecho para lubricar la cadena de aserrado ni la espada. El contacto repetido con aceite de desecho puede causar cáncer de piel. Además, el aceite de desecho es dañino para el medio ambiente.

El aceite para la espada y la cadena lubrica y refrigera la cadena de aserrado mientras gira. La vida de servicio de la cadena y de la espada depende de la calidad del lubricante. Por eso, es esencial usar únicamente un lubricante con una fórmula específica para lubricar la cadena.

- ▶ Para que la cadena y la espada se lubriquen de forma automática y fiable, use únicamente un lubricante de calidad para la espada y la cadena que no sea nocivo para el medio natural. STIHL recomienda usar el aceite STIHL BioPlus, que se biodegrada rápidamente.

INDICACIÓN

- El aceite de cadena biodegradable debe ser resistente al envejecimiento, puesto que, de lo contrario, se convertirá rápidamente en resina. Si esto sucede, se forman depósitos duros que son difíciles de eliminar, especialmente en la zona de la cadena y de su accionamiento. Incluso puede suceder que la bomba de aceite se agarrote.

INDICACIÓN

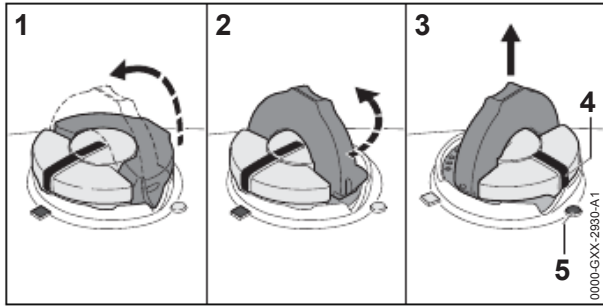
- El aceite de desecho no tiene las propiedades de engrase necesarias, y no es adecuado para la lubricación de la cadena.

14.10.2 Llenado del tanque de aceite de la cadena

Apertura y llenado del tanque de aceite de la cadena

Para llenar el tanque de aceite de la cadena:

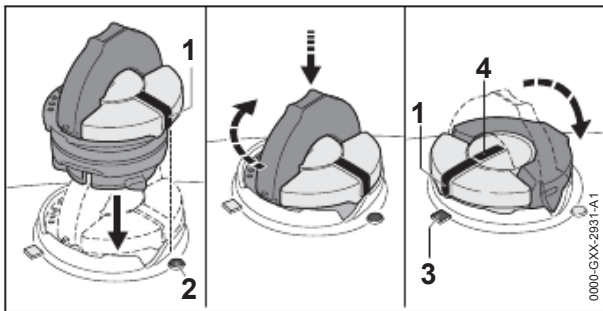
- ▶ Apague el podador de varilla, 16.2.
- ▶ Retire la batería, 15.2.
- ▶ Coloque el podador de varilla sobre una superficie nivelada de modo que la tapa de llenado de aceite quede hacia arriba.
- ▶ Limpie la zona alrededor de la tapa de llenado de aceite con un paño levemente húmedo.



- ▶ Levante el mango y presione la tapa firmemente hacia abajo (1).
- ▶ Gire la tapa lentamente en sentido contrario a las agujas del reloj (2) para colocarla en la posición "abierta" (3). En la posición "abierta", la marca de posición exterior (4) de la tapa quedará alineada con el símbolo (5) de la carcasa del tanque de aceite de la cadena
- ▶ Retire la tapa y llene el tanque con aceite para la espada y la cadena.
- ▶ Procure no derramar el aceite para la espada y la cadena cuando llene el tanque.
- ▶ No llene el tanque en exceso. Deje aproximadamente 0,5 in (13 mm) del tanque libres.

Cierre

Para cerrar el tanque:



- ▶ Levante el mango de la parte superior de la tapa de modo que quede a un ángulo de 90°. Inserte la tapa en la abertura del tanque de aceite de la cadena de modo que la marca de posición exterior (1) quede alineada con el símbolo "abierto" (2) de la carcasa del tanque de aceite.
- ▶ Con ayuda del mango, apriete la tapa firmemente hacia abajo y gírela en sentido horario hasta que quede en la posición "cerrada" (aproximadamente 1/4 de vuelta). En la posición "cerrada", las marcas de posición interior (4) y exterior (1) quedan alineadas con el símbolo "cerrado" (3) de la carcasa del tanque de aceite de cadena.
- ▶ Abata el mango de modo que quede alineado con la parte superior de la tapa, y compruebe que el cierre es estanco.

- ▶ Si el mango no se puede bajar de modo que quede completamente alineado con la tapa, o si el tope del mango no encaja en el hueco correspondiente de la abertura del tanque, o si la tapa queda floja, será porque la tapa no ha quedado correctamente colocada, y tendrá que repetir los pasos anteriores.

15 Colocación y extracción de la batería.

15.1 Colocación de la batería



ADVERTENCIA

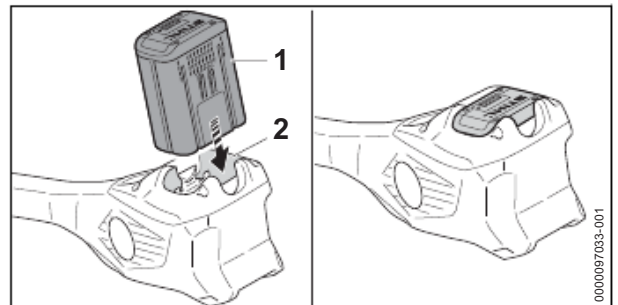
- Nunca use una batería que esté defectuosa, dañada, agrietada, que pierda líquido o esté deformada, 8. Nunca cargue, utilice o almacene la batería fuera de los límites de temperatura ambiente especificados, 25.6.



ADVERTENCIA

- Para reducir el riesgo de activación accidental, nunca guarde la batería en la podadora de pértiga, 9.1.

Para colocar la batería:



- ▶ Inserte la batería (1) en su compartimento (2), hasta que haga tope. La batería está colocada correctamente cuando se escucha un chasquido. En esta posición, hay contacto eléctrico entre la batería y el podador de varilla.

Las baterías nuevas no están completamente cargadas. Por eso, STIHL recomienda cargarlas por completo antes de usarlas por primera vez, 11.

15.2 Extracción de la batería

ADVERTENCIA

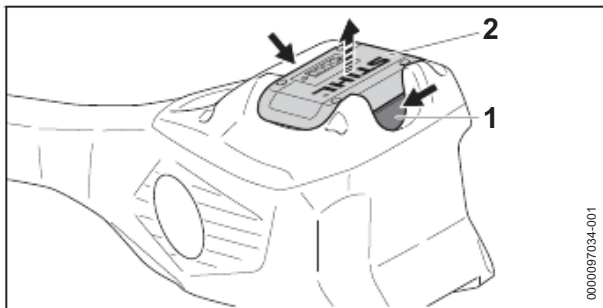
- Para reducir el riesgo de lesiones graves provocadas por una activación accidental, retire la batería siempre antes de armar, transportar, ajustar, limpiar, reparar, mantener o guardar el podador de varilla, y cuando no se esté usando.

ADVERTENCIA

- Saque la batería con cuidado, para evitar que se caiga y provoque lesiones o daños materiales.

Para quitar la batería:

- ▶ Suelte el disparador.



- ▶ Apriete las palancas de bloqueo (1) para sacar la batería (2) de su compartimento.



INDICACIÓN

- Evite exponer la batería a un calor excesivo o a la luz solar directa durante períodos prolongados. El uso o el almacenamiento a temperaturas no incluidas en el rango de temperatura ambiente recomendado pueden reducir el rendimiento de la batería.

16 Encendido y apagado del podador de varilla

16.1 Encendido

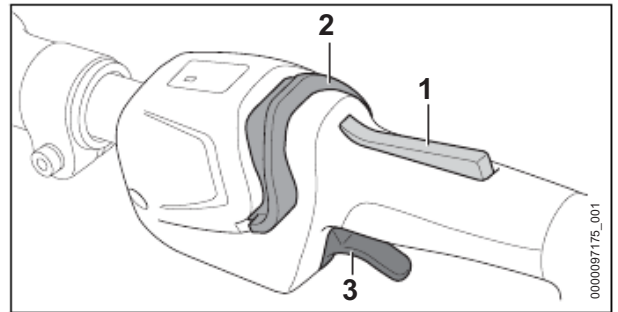
ADVERTENCIA

- Nunca use su podador de varilla si se ha modificado o si está dañado, mal ajustado o mal mantenido, si no se p74-ha montado por completo y de forma segura o si no funciona correctamente,  6.4. Para reducir el riesgo de lesiones, use siempre ropa adecuada y equipos de protección, incluidas gafas protectoras, cuando utilice el podador de varilla,  6.3.

Antes de encender la máquina:

- ▶ Asegúrese de que no hay otras personas dentro de la zona general de trabajo.
- ▶ Asegúrese de que tiene los pies bien apoyados.
- ▶ Mantenga una posición erguida.
- ▶ Sujete y maneje el podador de varilla siempre agarrando con una mano firmemente el mango de control y con la otra mano, el mango delantero.

Para encender el podador de varilla:



- ▶ Apriete y mantenga presionado el bloqueo del gatillo (1).
- ▶ Mientras mantiene apretado el bloqueo del gatillo, deslice el pestillo de retención (2) hacia adelante con el pulgar y suéltelo. El LED se enciende.
- ▶ Apriete el gatillo (3) con el dedo índice. La motosierra empezará a girar.

También puede desbloquear el disparador del gatillo empujando el pestillo de retención hacia delante y pulsando el bloqueo del disparador del gatillo antes de que transcurran 5 segundos (mientras el LED parpadee). Apriete el disparador del gatillo con el dedo índice para encender la cadena de sierra.

El motor no se encenderá a menos que se haya apretado el bloqueo del disparador, se haya deslizado el pestillo de retención hacia delante y se haya oprimido el disparador.

Si el disparador y su bloqueo se sueltan, los LED seguirán destellando durante aproximadamente 5 segundos. Mientras el LED destelle, la podadora de pértiga podrá encenderse de nuevo sin necesidad de empujar hacia delante el pestillo de retención.

Cuanto más apriete el disparador, más rápidamente girará la cadena de sierra.

16.2 Apagado

ADVERTENCIA

- La cadena de la motosierra seguirá rotando brevemente una vez que usted haya soltado el gatillo. Para evitar lesiones graves o incluso mortales, evite el contacto con la cadena cuando esta esté en movimiento. Para reducir el riesgo de lesiones provocadas por una activación accidental o por un uso no autorizado de la herramienta, apague el motor, asegúrese de que la cadena se ha detenido y retire la batería antes de transportar el podador de varilla o de posarlo en el suelo.

Para apagar el podador de varilla:

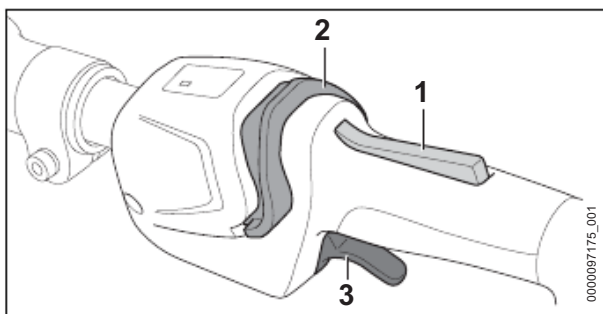
- ▶ Suelte el gatillo y su bloqueo, para que el gatillo vuelva a la posición de bloqueo. En la posición de bloqueo, el bloqueo del gatillo evita la activación del gatillo. La activación del podador de varilla también queda bloqueada electrónicamente por medio del pestillo de retención una vez que los LED dejan de parpadear (luego de aproximadamente 1 segundo).

La cadena de aserrado seguirá moviéndose durante un periodo de tiempo breve una vez que suelte el gatillo. Proceda con cuidado para evitar el contacto después de soltar el gatillo y cuando coloque el podador de varilla en el suelo.

17 Revisión del podador de varilla


17.1 Prueba de los controles

Antes de comenzar a trabajar, confirme que el bloqueo del gatillo (1), el pestillo de retención (2) y el gatillo (3) están libres de daños y que funcionan correctamente.



Bloqueo del gatillo (1), pestillo de retención (2) y gatillo (3)

ADVERTENCIA

- Para reducir el riesgo de lesiones graves o mortales, mantenga las manos, los pies y cualquier otra parte de su cuerpo alejados de la cadena. No toque la cadena de aserrado cuando esté colocada la batería. Nunca toque la cadena en movimiento con las manos ni con ninguna otra parte de su cuerpo,  6.5.2. Asegúrese de que no hay otras personas a una distancia de menos de 50 ft. (15 m) de la zona de trabajo mientras prueba los controles.

Para probar los controles:

- ▶ Retire la batería.
- ▶ Intente apretar el gatillo. Si el gatillo se puede presionar sin desbloquear antes el pestillo de retención, lleve el podador de varilla a un concesionario de servicio STIHL autorizado para que lo reparen antes de utilizarlo.
- ▶ Oprima el bloqueo del gatillo y deslice el pestillo de retención hacia delante. Compruebe que se mueven libremente y que al soltarlos vuelven a su lugar por la acción de resorte.
- ▶ Coloque la batería.
- ▶ Sujete el podador de varilla agarrando firmemente con una mano el mango de control y con la otra mano, el mango delantero. Mantenga oprimido el bloqueo del gatillo, deslice el pestillo de retención hacia delante con el pulgar y apriete el gatillo con el dedo índice. El podador de varilla debería encenderse. Si no se enciende, lleve el podador de varilla a un concesionario de servicio STIHL autorizado para que lo reparen antes de utilizarlo.
- ▶ Suelte el gatillo.

El podador de varilla debería apagarse.



Si el podador de varilla no se apaga cuando suelta el gatillo, retire la batería y lleve el podador de varilla a un concesionario de servicio STIHL autorizado para que lo reparen antes de volver a utilizarlo.

17.2 Comprobación de la lubricación de la cadena

ADVERTENCIA

- Nunca use su podador de varilla si la espada y la cadena no se lubrican. Si la cadena se seca, el accesorio de corte sufrirá daños irreparables en muy poco tiempo. Una cadena dañada puede romperse y provocar lesiones personales muy graves, incluso mortales. Compruebe siempre la lubricación de la cadena y el nivel de aceite del tanque antes de empezar a trabajar, y con frecuencia mientras utiliza la motosierra.

Para confirmar que el aceite de cadena está fluyendo correctamente:

- ▶ Coloque la batería,  15.1.
- ▶ Apunte con la espada hacia una superficie brillante.
- ▶ Encienda el podador de varilla,  16.1. La cadena debería desprender una pequeña cantidad de aceite. Si no se aprecian las gotas del aceite de cadena, compruebe el nivel de aceite y añada al tanque la cantidad que sea necesaria.
- ▶ Compruebe de nuevo la lubricación de la cadena.
- ▶ Si aún no se ve aceite de lubricación de la cadena, será porque el mecanismo de lubricación no funciona correctamente. Lleve el podador de varilla a un concesionario de servicio STIHL autorizado para que lo reparen antes de utilizarlo.

18 Durante el funcionamiento



18.1 Ajuste de la longitud del tubo de mando (solo HTA 160.0)

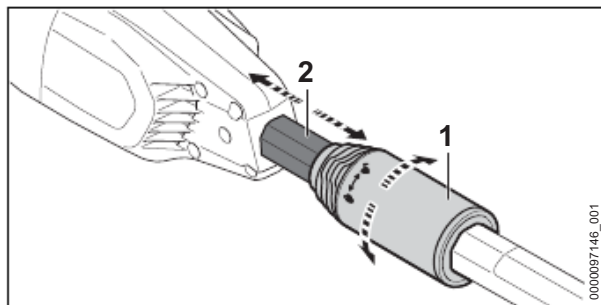
ADVERTENCIA




- Para reducir el riesgo de lesiones causadas por la pérdida del control sobre la máquina, asegúrese de que el tubo de mando está ajustado correctamente y encajado en la posición de bloqueo antes de empezar a trabajar.

La longitud del tubo de mando se puede ajustar para adaptar el tubo a la altura y a la longitud de los brazos del operador.



Para ajustar la longitud del tubo de mando:

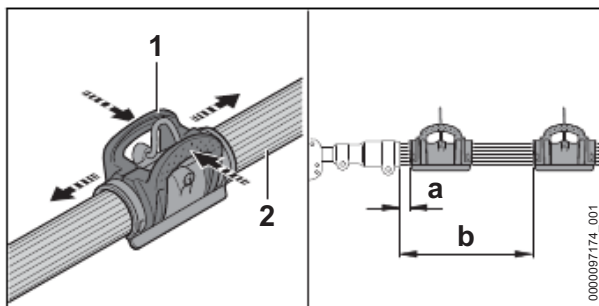
- ▶ Apague el podador de varilla,  16.2.
- ▶ Retire la batería,  15.2.
- ▶ Sostenga el tubo de mando con firmeza.



- ▶ Desbloquee el tubo de mando (2) girando la tuerca de sujeción (1) media vuelta en dirección a .
- ▶ Ajuste la longitud del tubo de mando deslizando hasta la posición deseada.
- ▶ Bloquee el tubo de mando girando la tuerca de sujeción hacia el símbolo  y apretándola.
- ▶ Confirme que el tubo de mando está fijo en su lugar.
- ▶ Si el tubo de mando aún se puede mover: bloquee el tubo de mando girando la tuerca de sujeción hacia el símbolo  y apretándola hasta que el tubo de mando quede fijo en su lugar.

18.2 Alineación del clip para arnés (sólo HTA 160.0)

- ▶ Apague la podadora de pértiga,  16.2.
- ▶ Retire la batería,  15.2.





- ▶ Presione la pinza para arnés (1) y desplácela por la empuñadura flexible (2) hasta alcanzar las siguientes dimensiones:
 - Si el tubo de accionamiento está completamente retraído: a = 6 pulgadas. (15 cm).
 - Si el tubo de accionamiento está completamente extendido: b = 20 pulgadas. (50 cm).

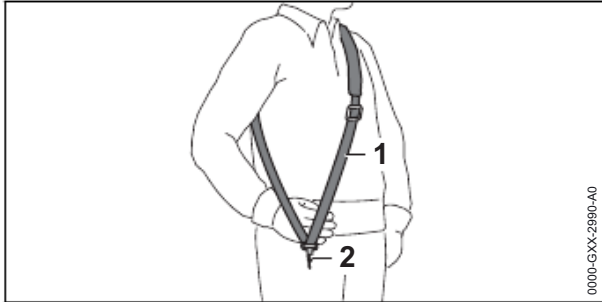
18.3 Ajuste del arnés

18.3.1 Colocación y ajuste de la correa para el hombro (sólo HTA 150.0)

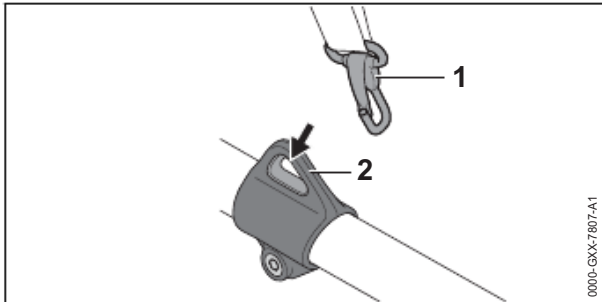
Para colocar y ajustar el arnés:

- ▶ Apague el podador de varilla,  16.2.
- ▶ Retire la batería,  15.2.

- ▶ Colóquese la correa para el hombro sobre el hombro.



- ▶ Ajuste la longitud de la correa para el hombro (1) de modo que el mosquetón (2) quede aproximadamente el ancho de una mano por debajo de la altura de su cadera.

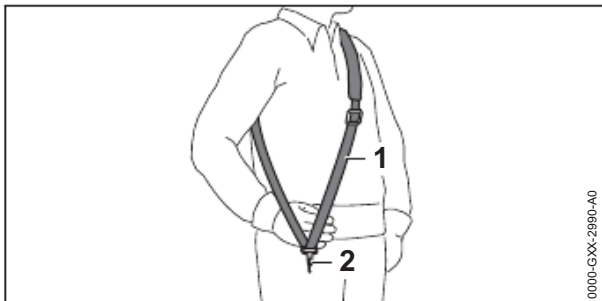


- ▶ Enganche el gancho de muelle (1) en el bucle colgante para transporte (2) de la podadora de pértiga.

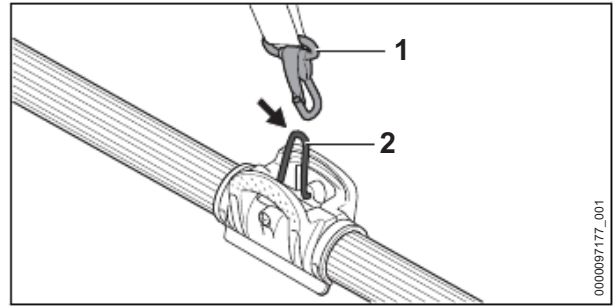
18.3.2 Colocación y ajuste de la correa para el hombro (sólo HTA 160.0)

Para colocar y ajustar el arnés:

- ▶ Apague el podador de varilla, 16.2.
- ▶ Retire la batería, 15.2.
- ▶ Colóquese la correa para el hombro sobre el hombro.



- ▶ Ajuste la longitud de la correa para el hombro (1) de modo que el mosquetón (2) quede aproximadamente el ancho de una mano por debajo de la altura de su cadera.



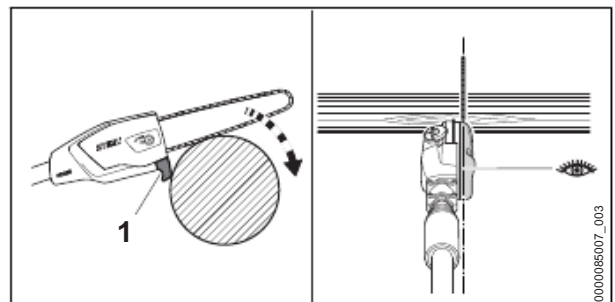
- ▶ Enganche el gancho de muelle (1) al clip del arnés (2) de la podadora de pértiga.

18.4 Desrame

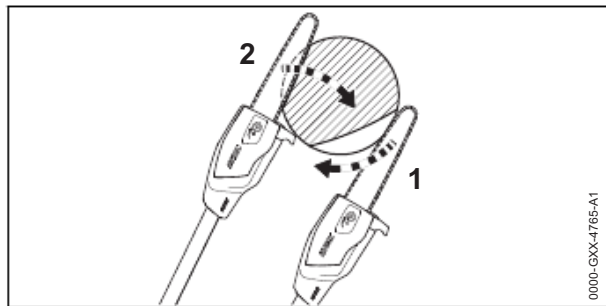
ADVERTENCIA

- Para reducir el riesgo de lesiones graves o incluso mortales provocadas por la caída de objetos:
 - No corte en vertical por encima de usted. Sujete el podador de varilla a un ángulo de no más de 60° con respecto a la horizontal. Pueden caer objetos en direcciones inesperadas. No se coloque directamente debajo de la rama que está cortando, 6.5.4.
 - Preste atención a las ramas que caen. En cuanto la rama cortada empiece a caer, apártese y manténgase a una distancia suficiente, 6.5.4.
- ▶ Para que las ramas puedan caer sin obstáculos, corte siempre en primer lugar las ramas más bajas.

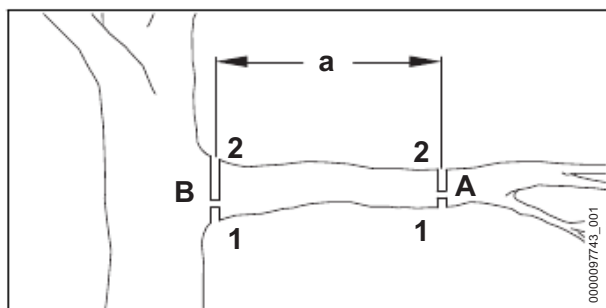
Corte transversal



- ▶ Coloque el gancho (1) contra la rama. La mira de desrame ayuda al operador a posicionar la barra y la cadena para el corte.
- ▶ Corte la rama con la máquina a velocidad máxima, con la parte inferior de la espada. Mantenga la punta de la barra guía alejada de otras ramas, del suelo y de cualquier material con hojas.

Corte de distensión

- ▶ Si la rama está en tensión: practique un corte de distensión (1) en la parte inferior y después, el corte cruzado (2) desde el lado en tensión.

Corte de ramas gruesas

- ▶ Acorte la rama practicando un corte de distensión (1) y después un corte cruzado (2) en el punto de corte (A), a una distancia $a = 8$ in (20 cm) del punto en que se va a practicar el corte a ras (B).
- ▶ Haga el corte a ras, empezando con un corte de distensión (1) y terminando con un corte cruzado (2) en el punto de corte (B).

Para un rendimiento óptimo, respete los rangos de temperatura ambiente recomendados, [15.2](#).

19 Después de completar el trabajo**19.1 Preparación para el transporte o el almacenamiento****ADVERTENCIA**

- Para reducir el riesgo de lesiones provocadas por una activación accidental o por un uso no autorizado, apague el podador de varilla y retire la batería antes de transportar el podador o de posarlo en el suelo. Para reducir el riesgo de lesiones provocadas por los afilados cortadores de la cadena, cubra siempre la espada con la funda antes de transportar o de guardar el podador de varilla.

Para preparar el podador de varilla antes de transportarlo o de guardarlo:

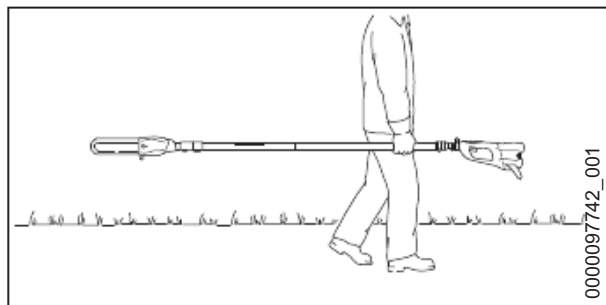
- ▶ Apague el podador de varilla, [16.2](#).
- ▶ Retire la batería, [15.2](#).
- ▶ Ajuste el tubo de mando a la longitud más corta, [18.1](#).
- ▶ Afloje la cadena.
- ▶ Deslice la vaina de la cadena por la barra de modo que la cubra por completo.
- ▶ Si la batería o la podadora de pértiga se mojaron o humedecieron durante el funcionamiento, déjelas secar por separado y por completo antes de cargarlas o guardarlas, [25.7](#).
- ▶ Recuerde volver a tensar la cadena antes de usar la podadora de pértiga.

INDICACIÓN

- Cuando se enfría, la cadena se contrae. Si no afloja la cadena tras terminar el trabajo, el tubo impulsor y los cojinetes pueden sufrir daños.

20 Transporte del podador de varilla y de la batería**20.1 Podador de varilla**

Cuando transporte el podador de varilla:




- ▶ Coloque la funda de la cadena por la espada de modo que la cubra por completo.
- ▶ Cuando transporte el podador de varilla a mano, sujete el tubo de mando de modo que el podador quede equilibrado en horizontal. Mantenga el accesorio de corte detrás de usted.
- ▶ Cuando transporte el podador de varilla en un vehículo, cubra la espada con una funda de cadena. Asegure y coloque el podador de varilla de modo que se eviten vuelcos, golpes y daños.

Con el podador de varilla se adjunta de serie una funda de cadena compatible con el accesorio de corte. Si usa espadas de distintas longitudes con su podador de varilla, cada una de las fundas debe tener la longitud adecuada, para reducir el riesgo de lesiones. La funda debe cubrir toda la longitud de la espada.

20.2 Batería



ADVERTENCIA

- Para reducir el riesgo de cortocircuito, que podría generar una descarga eléctrica, un incendio o una explosión, nunca transporte la batería con objetos metálicos pequeños capaces de conducir electricidad (por ejemplo, clips para papel, clavos, monedas, llaves)  8.

Al transportar la batería:

- ▶ Asegure la batería en un contenedor contra golpes o daños. Nunca transporte la batería con objetos metálicos pequeños capaces de conducir electricidad (por ejemplo, clips de papel, clavos, monedas, llaves).
- ▶ Si transporta la batería en un vehículo, asegúrela junto con su contenedor para prevenir vuelcos, impactos y daños.

Las baterías STIHL cumplen con los requisitos establecidos en el Manual de las Naciones Unidas de Pruebas y Criterios, Parte III, Subsección 38.3.

El transporte comercial por aire, agua y tierra de celdas y baterías de iones de litio está regulado. Esta batería está clasificada como un producto UN 3480, Clase 9 y grupo de empaque II. Para transportarla, p79-ya sea como parte de la herramienta completa o sola, es necesario cumplir con todas las normas de transporte correspondientes. Antes del transporte o traslado, consulte con la empresa de transporte por tierra o agua, o bien con la aerolínea de carga o pasajeros, para determinar si el transporte está prohibido o sujeto a restricciones o exenciones.

Por lo general, el usuario no necesita cumplir con ninguna condición adicional para poder transportar baterías STIHL por carretera hasta el sitio donde se encuentra la herramienta eléctrica. Verifique y respete cualquier norma especial que pudiera aplicarse a su situación.



Para obtener más información, visite www.stihl-usa.com/battery-transportation-safety.

21 Almacenamiento del podador de varilla y de la batería



21.1 Podadora de pértiga



ADVERTENCIA

- Guarde la podadora de pértiga bajo techo, en un lugar seco y seguro al que no puedan acceder niños ni otras personas no autorizadas,  6.4. Nunca guarde la batería en la podadora de pértiga. Un almacenamiento inadecuado puede resultar en un uso no autorizado de la podadora de pértiga y, por tanto, en daños en el equipo,  6.4.

Si la podadora de pértiga va a permanecer guardada durante treinta días o más:

- ▶ Retire todas las virutas de madera y los restos de suciedad del compartimento de la batería.
- ▶ Retire la cadena y la barra guía.
- ▶ Limpie la barra guía y rocíela con un disolvente de resinas, como el lubricante y eliminador de resinas STIHL.
- ▶ Limpie el podador de varilla,  22.1.
- ▶ Llene el tanque de aceite de la cadena,  14.10.2.
- ▶ Asegure y coloque la podadora de pértiga de modo que se eviten vuelcos, golpes y daños.
- ▶ Guarde la podadora de pértiga bajo techo, en un lugar seco y seguro, fuera del alcance de los niños y de otras personas no autorizadas.

21.2 Batería



ADVERTENCIA

- Para reducir el riesgo de cortocircuito, que podría generar una descarga eléctrica, un incendio o una explosión, nunca guarde la batería con objetos metálicos pequeños capaces de conducir electricidad (por ejemplo, clips para papel, clavos, monedas, llaves) 8. Si la batería está húmeda o mojada, espere a que se seque por completo antes de guardarla, 8.



ADVERTENCIA

- Las temperaturas extremas pueden dañar la batería y provocar que esta genere calor, se rompa, pierda líquido, se incendie o explote, lo que podría causar lesiones personales graves o fatales y daños materiales. Nunca cargue, utilice o almacene la batería fuera de los límites de temperatura ambiente especificados, 25.6.

Para almacenar correctamente la batería:

- ▶ Retire la batería de la podadora de pértiga.
- ▶ Cuando guarde la batería, mantenga una carga del 40 % al 60 % para las baterías de la serie AP de STIHL y una carga del 30 % al 45 % para las baterías de la serie AR de STIHL (2 LEDs verdes).
- ▶ Si guarda la batería en el cargador, desconecte el cargador del tomacorriente.
- ▶ Asegúrese de que la batería esté seca y guárdela bajo techo, en un lugar seco y seguro.
- ▶ Asegúrese de que quede fuera del alcance de los niños y de otras personas no autorizadas.
- ▶ Proteja la batería de la humedad y de los productos corrosivos, como las sustancias químicas utilizadas en el jardín o las sales descongelantes.
- ▶ Proteja la batería de la exposición a líquidos conductores como el agua salada.
- ▶ Para alargar al máximo la vida útil de su batería, guárdela a una temperatura ambiente de entre 50 °F y 68 °F (10 °C y 20 °C), con un nivel de carga de entre el 40 % y el 60 % para las baterías de la serie STIHL AP y un nivel de carga de entre el 30 % y el 45 % para las baterías de la serie STIHL AR (2 LEDs verdes).
- ▶ Las baterías de repuesto no deben permanecer inutilizadas. Use todas sus baterías, por turnos.

INDICACIÓN

- Una batería que no se almacena correctamente puede sufrir una descarga profunda, lo que puede provocar daños permanentes. Para evitar una descarga profunda:
 - Retire la batería de la podadora de pértiga después de terminar el trabajo.
 - Para alargar al máximo la vida útil de su batería, guárdela con un nivel de carga de entre el 40 % y el 60 % para las baterías de la serie STIHL AP y un nivel de carga de entre el 30 % y el 45 % para las baterías de la serie STIHL AR (2 LEDs verdes).
 - Si guarda la batería en el cargador, desconecte el cargador del tomacorriente.
 - Para obtener la máxima duración de la batería, guárdela a una temperatura ambiente de entre 50 °F y 68 °F (10 °C y 20 °C).

22 Limpieza

22.1 Limpieza del podador de varilla y de la batería



ADVERTENCIA


- Para reducir el riesgo de lesiones provocadas por una activación accidental, quite la batería antes de realizar cualquier trabajo de limpieza, 9. Los usuarios de este podador de varilla deben llevar a cabo únicamente las tareas de limpieza descritas en este manual.

Para limpiar el podador de varilla y la batería:

- ▶ Limpie los componentes de polímero del podador de varilla con un paño ligeramente húmedo. No use detergentes ni disolventes. Estos productos pueden dañar los componentes de polímero.
- ▶ Retire la cubierta del piñón y limpie la zona alrededor del piñón con un trapo ligeramente húmedo o con un disolvente de resina, como el eliminador de resina y lubricante de STIHL.
- ▶ No utilice una hidrolavadora para limpiar el podador de varilla, ni la rocíe con agua ni con otros líquidos.
- ▶ Mantenga la carcasa y las guías de la batería libres de cuerpos extraños y límpielas siempre que sea necesario con un cepillo suave o con un paño suave y seco.

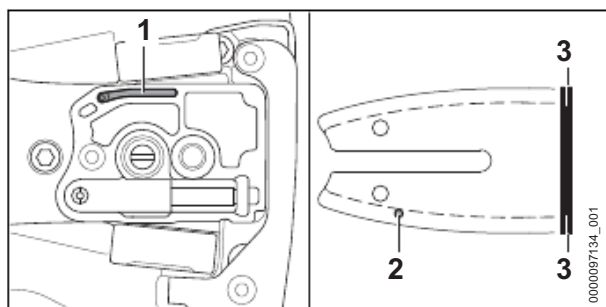
22.2 Limpieza de la espada y de la cadena de aserrado

ADVERTENCIA

- ▶ Para reducir el riesgo de lesiones provocadas por una activación accidental, quite la batería antes de realizar cualquier trabajo de limpieza,  9. Los usuarios de este podador de varilla deben llevar a cabo únicamente las tareas de limpieza descritas en este manual. Para evitar lesiones, lleve guantes de trabajo resistentes siempre que manipule la cadena.

Para limpiar correctamente la espada y la cadena:


- ▶ Retire la espada y la cadena,  14.8.2.

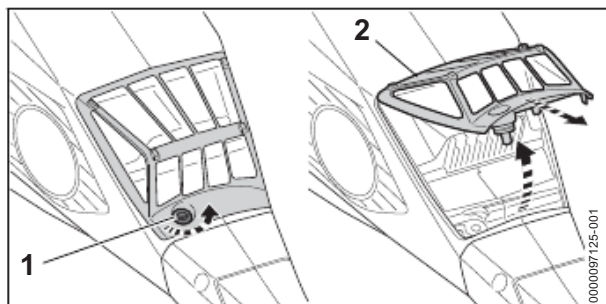


- ▶ Limpie el conducto de salida de aceite (1), el orificio de entrada de aceite (2) y la ranura (3) con un cepillo, con un paño ligeramente húmedo o con un disolvente de resinas, como el lubricante y eliminador de resinas STIHL. No use detergentes.
- ▶ Limpie la cadena con un cepillo, con un paño ligeramente húmedo o con un disolvente de resinas. No use detergentes.
- ▶ No utilice una hidrolavadora para limpiar la espada o la cadena, ni las rocíe con agua ni con otros líquidos.

22.3 Limpieza del filtro de aire

Para limpiar el filtro de aire:

- ▶ Apague la herramienta motorizada,  16.2.
- ▶ Retire la batería,  15.2.




- ▶ Limpie la zona alrededor del filtro de aire (2) con un paño húmedo o con un cepillo suave.

- ▶ Gire el tornillo (1) en sentido antihorario hasta que se pueda retirar el filtro de aire.
- ▶ Retire el filtro de aire levantándolo y tirando de él.
- ▶ Retire las partículas de suciedad más gruesas del exterior del filtro de aire con agua corriente. Nunca limpie el filtro de aire con una hidrolavadora.
- ▶ Si el filtro de aire está dañado, sustitúyalo.
- ▶ Espere a que el filtro de aire se seque.
- ▶ Una vez que el filtro de aire se haya secado por completo, colóquelo en su lugar a mano.
- ▶ Apriete el tornillo.

23 Inspección y mantenimiento

23.1 Inspección y mantenimiento del podador de varilla

ADVERTENCIA

- ▶ Para reducir el riesgo de lesiones provocadas por una activación accidental, retire la batería antes de inspeccionar el podador de varilla o de llevar a cabo cualquier trabajo de mantenimiento,  9. Lleve a cabo únicamente las tareas de mantenimiento que se describen en este manual. No hay reparaciones que el usuario esté autorizado a llevar a cabo. STIHL le recomienda que encargue las reparaciones a concesionarios de servicio STIHL autorizados.

El mantenimiento adecuado del podador de varilla incluye las siguientes actividades:

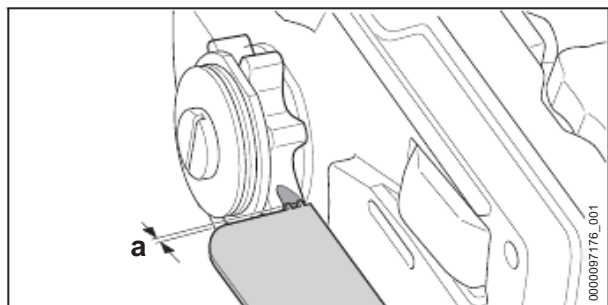
- ▶ Limpiar el filtro de aire cada 50 horas de funcionamiento.
- ▶ Inspeccionar periódicamente el piñón de la cadena y solicitar a un concesionario de servicio STIHL autorizado que lo reemplace si está muy gastado.
- ▶ Inspeccionar la espada y comprobar si la ranura tiene la profundidad y la anchura adecuadas; reemplazar la espada si presenta signos de desgaste excesivo o daños.
- ▶ Afilar periódicamente la cadena, mantener las guías de limitación de profundidad a la altura apropiada y reemplazar la cadena de aserrado cuando las marcas de desgaste relevantes indiquen que es necesario, o cuando la cadena esté dañada o muestre signos de desgaste excesivo.

- ▶ Si las etiquetas de seguridad están gastadas o dañadas, o faltan, solicitar a un concesionario de servicio STIHL autorizado que las reemplace.

Si reclama cobertura de garantía para algún componente que no se p82-ha reparado o mantenido debidamente, es posible que se le deniegue la garantía.

23.2 Inspección y mantenimiento del piñón de la cadena

- ▶ Apague el podador de varilla y quítele la batería.
- ▶ Retire la cubierta del piñón, la cadena de aserrado y la espada.



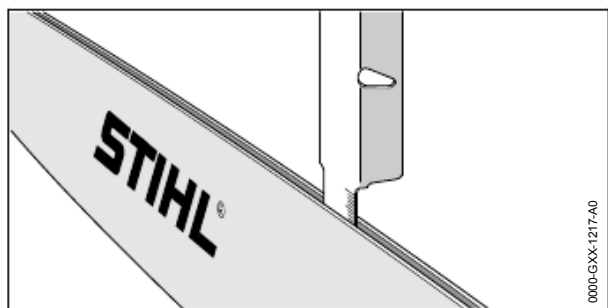
- ▶ Compruebe si la cubierta del piñón de la cadena presenta marcas de desgaste.
- ▶ Si las marcas de desgaste tienen una profundidad mayor que $a = 0,020$ in (0,5 mm), solicite que le cambien el piñón de la cadena.

STIHL recomienda el uso de piñones de cadena originales de STIHL.

Alternar el uso de dos cadenas ayuda a reducir el desgaste del piñón de la cadena.

23.3 Inspección y mantenimiento de la espada

- ▶ Apague el podador de varilla y quítele la batería.
- ▶ Retire la espada y la cadena de aserrado, 14.8.2.



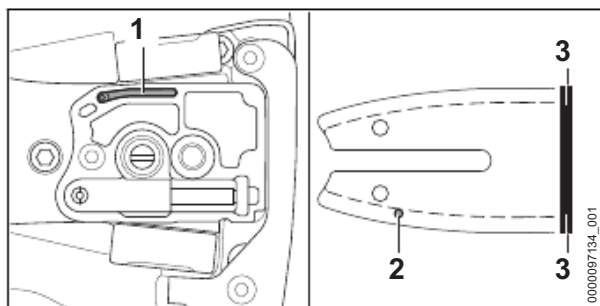
- ▶ Mida la profundidad de la ranura de la espada en la zona con mayor desgaste, usando la

herramienta de medición del calibre de limado (accesorio especial, no incluido).

- ▶ Reemplace la espada si la profundidad medida es inferior a las profundidades mínimas requeridas que se especifican en 25.4.
- ▶ Mida la anchura de la ranura de la espada usando la herramienta de medición del calibre de limado.
- ▶ Cambie la espada si la ranura se p82-ha estrechado, se p82-ha dilatado o presenta otros signos de desgaste notable o daños.

Para mantener la espada:

- ▶ Dé vuelta a la espada después de cada afilado y cada vez que cambie la cadena. Esto contribuye a evitar un desgaste desparejo. La espada no tiene parte de "arriba" ni de "abajo". Se puede usar colocada de cualquiera de las dos maneras, aunque la rotulación puede quedar al revés.



- ▶ Limpie el conducto de salida de aceite (1), el orificio de entrada de aceite (2) y la ranura (3) con un cepillo, con un paño ligeramente húmedo o con un disolvente de resinas, como el lubricante y eliminador de resinas STIHL. No use detergentes.
- ▶ Retire periódicamente cualquier rebaba metálica que se acumule a lo largo de la espada con una lima plana o con una herramienta rectificadora para la espada de STIHL.
- ▶ Cambie la espada si no puede limar las rebabas o si la espada se daña.

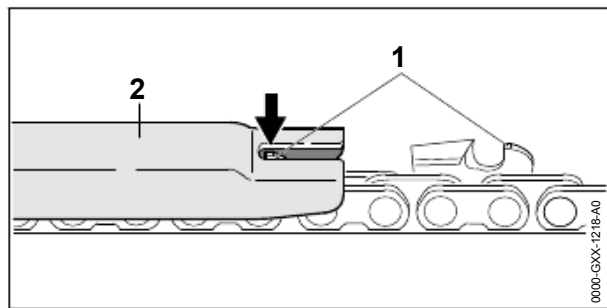
23.4 Inspección, mantenimiento y afilado de la cadena de aserrado

! ADVERTENCIA

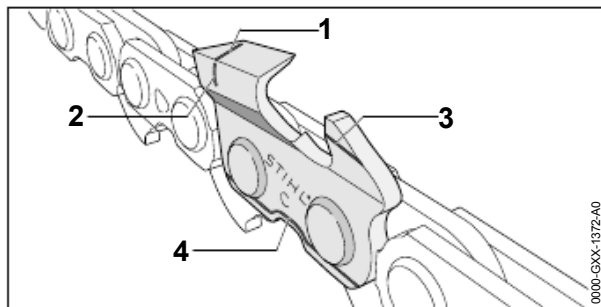
- Una cadena mal afilada puede aumentar el riesgo de que se produzca un contragolpe y se liberen otras fuerzas reactivas que pueden provocar lesiones graves o incluso la muerte. Por ejemplo, los calibres de profundidad demasiado bajos o los cortadores mal limados pueden aumentar el riesgo de contragolpe del podador de varilla, y pueden intensificar las fuerzas del contragolpe y dificultar, por tanto, el control del podador. Revise y siga siempre las dimensiones y los ángulos de afilado recomendados por STIHL cuando revise o afile la cadena.

! ADVERTENCIA

- No use nunca una cadena que esté roma o dañada. Esto aumenta la fatiga física y la carga que suponen las vibraciones, produce resultados de corte no satisfactorios y un desgaste más intenso. Si las virutas producidas durante el corte son finas y más parecidas a aserrín que a virutas de madera, es probable que la cadena esté roma.
- Apague el podador de varilla y quítele la batería.



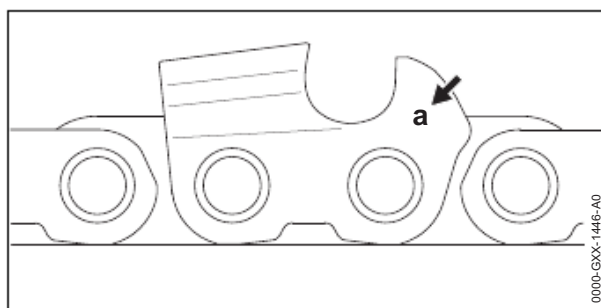
- Compruebe la altura del calibre de profundidad (1) con un calibre de limado STIHL (2) adecuado para el paso de la cadena.
- Si el calibre de profundidad sobresale por encima del calibre de limado, lime el calibre de profundidad hasta que quede a la altura adecuada.
- Trabaje con cuidado. Si lima demasiado los calibres de profundidad, las fuerzas reactivas aumentarán. Si los calibres de profundidad se han limado demasiado, lleve la cadena a su concesionario autorizado de STIHL para que la afilen o para que la cambien.



La cadena de STIHL se p83-ha fabricado con unas marcas de desgaste pensadas para ayudar al operador a saber cuándo el desgaste es excesivo. Las marcas de desgaste que se muestran arriba (1 - 4) deben verse en todo momento.

- Cambie la cadena cuando cualquiera de estas marcas p83-ya no se vea.
- Revise el ángulo de afilado de 30° de los cortadores con un calibre de limado de STIHL adecuado para el paso de la cadena.
- Si el ángulo de afilado es incorrecto, lime los cortadores de modo que presenten un ángulo de 30°.
- Si ve que no logra el ángulo adecuado o sospecha que no lo p83-ha logrado, lleve la cadena a afilar a un concesionario de servicio de STIHL autorizado.

Una cadena mal limada puede ser muy peligrosa. Puede aumentar la probabilidad de que se liberen fuerzas reactivas, entre las que se incluye el contragolpe, y aumentar además la magnitud de estas fuerzas.



La marca (a) de paso de la cadena está grabada en la zona del calibre de profundidad de cada cortador.

Las marcas significan lo siguiente:

Marca (a)	Paso de la cadena de aserrado
1	1/4"
2	0,325"
3	3/8"
4	0,404"

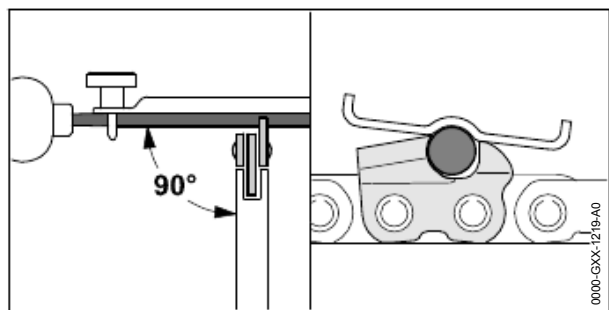
Marca (a)	Paso de la cadena de aserrado
6	3/8" PICCO
7	1/4" PICCO

Para afilar la cadena:

- ▶ Apague el podador de varilla y quítele la batería.
- ▶ Seleccione una lima para cadena que tenga un diámetro adecuado para el paso de la cadena.
- ▶ Si fuera preciso, fije la espada, para que el limado le resulte más sencillo.
- ▶ Use un soporte de limas.

Los soportes de limas tienen una serie de marcas que indican el ángulo de afilado adecuado.

- ▶ Lime todos los cortadores con el mismo ángulo. Normalmente, dos o tres pasadas de la lima son suficientes para un reafilado simple. Retire un poco de material con cada pasada.
- ▶ Un afilado con alturas o ángulos distintos o no homogéneos puede ser muy peligroso, y puede hacer que la cadena gire de forma brusca o irregular, que aumente el desgaste o incluso que la cadena se rompa. También puede aumentar la probabilidad de que se produzca un contragolpe o se liberen otras fuerzas reactivas, así como la magnitud de las mismas.



- ▶ Guíe la lima en horizontal a un ángulo correcto con respecto a la superficie lateral de la espada, de acuerdo con el ángulo especificado.
- ▶ Lime siempre desde el interior del cortador al exterior.
- ▶ Levante la lima en la pasada hacia atrás. La lima solo afila en la pasada hacia delante.

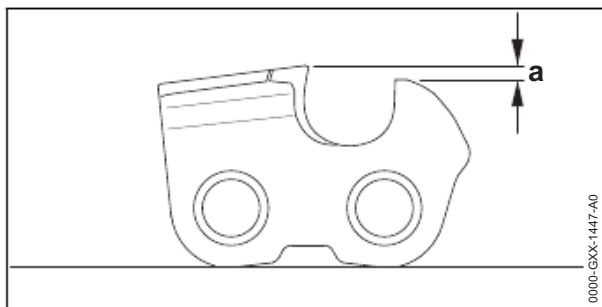
- ▶ No lime las correas de amarre ni los eslabones impulsores.
- ▶ Rote la lima periódicamente para evitar un desgaste desigual.
- ▶ Para retirar del diente cortador la rebaba de la lima, pase el cortador por un trozo de madera dura.
- ▶ Compruebe el ángulo de afilado con un calibre de limado.

Todos los cortadores deben tener la misma longitud, y afilarse hasta que lleguen a la longitud del cortador más corto. Si no, aumentará la probabilidad de que se produzca un contragolpe o de que se liberen otras fuerzas reactivas, así como la magnitud de las mismas.

STIHL le recomienda que lleve su cadena a afilar a un concesionario de servicio STIHL autorizado, para reducir el riesgo de que quede mal afilada y produzca lesiones graves o incluso mortales.


ADVERTENCIA

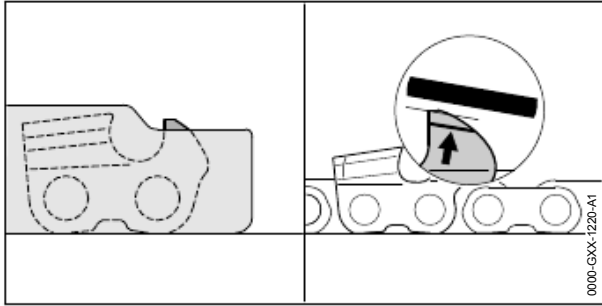
- Los calibres de profundidad que estén demasiado bajos aumentan la probabilidad de que se produzca un contragolpe o se liberen otras fuerzas reactivas, así como la fuerza de las mismas. Esto, a su vez, puede incrementar el riesgo de lesiones graves. Mantenga siempre la distancia (a) adecuada entre el calibre de profundidad y la parte superior del cortador.



El calibre de profundidad determina la profundidad hasta la que el cortador penetra en la madera y, por tanto, el grosor de las virutas.

Un calibre de profundidad que está demasiado bajo aumentará el riesgo de que se produzca un contragolpe del podador de varilla, y puede intensificar las fuerzas del contragolpe.

Un calibre de profundidad que está demasiado alto no permitirá que el cortador penetre en la pieza de madera, y resultará en un rendimiento de corte pobre. Mantenga siempre la distancia (a) necesaria entre el calibre de profundidad y el filo cortante,  25.5.



Para rebajar correctamente el calibre de profundidad:

- ▶ Coloque en la cadena el calibre de limado apropiado para el paso de la cadena y presiónelo contra el cortador que quiere revisar. Si el calibre de profundidad sobresale por encima del calibre de limado, el calibre de profundidad se debe rebajar con la lima.





- ▶ Lime el calibre de profundidad de modo que quede alineado con la parte superior del calibre de limado.
- ▶ Después, retire el calibre de limado y lime el borde delantero del calibre de profundidad en paralelo a la marca de servicio. Cuando lo haga, preste atención para no rebajar más el punto más elevado del calibre de profundidad.
- ▶ Coloque el calibre de limado sobre la cadena para comprobar la altura del calibre de limado. El punto más alto del calibre de profundidad debe quedar al ras de la parte superior del calibre de limado.
- ▶ Tras el afilado, limpie meticulosamente la cadena y retire cualquier resto de limado o de lijado.
- ▶ Engrase bien la cadena.

24 Guía de solución de problemas

24.1 Podadora de pértiga y batería

Siempre retire la batería antes de realizar cualquier trabajo de inspección, limpieza o mantenimiento.

Problema	LEDs de la batería	Posible causa	Solución
El podador de varilla no arranca cuando se enciende.		No hay contacto eléctrico entre el podador de varilla y la batería.	<ul style="list-style-type: none"> ▶ Retire la batería, 15.2. ▶ Inspeccione visualmente los contactos eléctricos del compartimento de la batería y de la batería. ▶ Vuelva a colocar la batería, 15.1.
	1 LED destella en verde. Solo STIHL AR: además, se emiten cuatro pitidos largos.	La batería tiene poca carga.	<ul style="list-style-type: none"> ▶ Cargue la batería, 11.
	1 LED se ilumina en rojo.	La batería está demasiado caliente/demasiado fría.	<ul style="list-style-type: none"> ▶ Espere a que la batería se caliente o se enfríe gradualmente hasta alcanzar una temperatura ambiente de entre 50 °F y 68 °F aproximadamente (de 10 °C a 20 °C).
	4 LEDs destellan en rojo. Solo STIHL AR: además, se emite una sucesión rápida de pitidos cortos.	La batería no funciona correctamente.	<ul style="list-style-type: none"> ▶ Retire la batería y colóquela de nuevo, 15. ▶ Encienda el podador de varilla, 16.1. ▶ Si los LED siguen destellando, no intente usar la máquina. La batería no funciona correctamente, y es necesario cambiarla.
	3 LED iluminados en rojo.	El podador de varilla está demasiado caliente.	<ul style="list-style-type: none"> ▶ Espere a que el podador de varilla se enfríe.
	3 LED destellan en rojo.	El podador de varilla está averiado.	<ul style="list-style-type: none"> ▶ Retire la batería y colóquela de nuevo, 15. ▶ Encienda el podador de varilla, 16.1.

Problema	LEDs de la batería	Posible causa	Solución
			<ul style="list-style-type: none"> ▶ Si los LED siguen destellando, no intente usar la máquina. El podador de varilla tiene una avería y debe ser revisado en un concesionario de servicio.
El podador de varilla se apaga durante el funcionamiento.	1 LED se ilumina en rojo.	La batería está demasiado caliente/demasiado fría.	<ul style="list-style-type: none"> ▶ Retire la batería,  15.2. ▶ Espere a que el podador de varilla y la batería se enfríen gradualmente hasta alcanzar una temperatura ambiente de entre 50 °F y 68 °F aproximadamente (entre 10 °C y 20 °C).
	3 LED iluminados en rojo.	El podador de varilla está demasiado caliente.	
El tiempo de funcionamiento es demasiado corto.		La batería no está completamente cargada.	▶ Cargue la batería,  11.
		Se alcanzó o se superó la vida útil de la batería.	▶ Lleve la batería a un concesionario de servicio STIHL autorizado para que la revisen.
Durante el serrado, la madera despidе humo o huele a quemado.		La cadena está roma o mal afilada.	▶ Afíle la cadena correctamente,  23.4.
		La técnica de trabajo aplicada no es adecuada, o el podador de varilla no se está usando correctamente.	▶ Infórmese sobre las técnicas de trabajo adecuadas.
		Falta aceite para la espada y la cadena.	▶ Encargue a un concesionario de servicio autorizado de STIHL que revise el mecanismo de lubricación de la cadena.
La batería no se carga, aunque el LED del cargador está encendido en verde.	1 LED se ilumina en rojo.	La batería está demasiado caliente/demasiado fría.	<ul style="list-style-type: none"> ▶ Espere a que la batería se caliente o se enfríe gradualmente hasta alcanzar una temperatura ambiente de entre 50 °F y 68 °F aproximadamente (de 10 °C a 20 °C). ▶ Lea y siga las advertencias e instrucciones en el manual de su cargador. Para un rendimiento óptimo, respete los rangos de temperatura ambiente recomendados,  25.7.

25 Especificaciones

25.1 STIHL HTA 150.0

- Tipos de batería aprobados:
 - Serie STIHL AP
 - Serie STIHL AR
- Peso sin batería: 10.4 lb (4.7 kg)
- Volumen máximo del tanque de aceite: 7.4 oz (0.22 l)

Si necesita información técnica sobre las baterías de las series AR y AP de STIHL, consulte la información de producto adjunta con su batería.

Si necesita información técnica sobre los cargadores de las series AL 101, 301, 301-4 y 500 de

STIHL, consulte la información de producto adjunta con su cargador.

Las baterías, los cargadores y otros accesorios se venden por separado. Póngase en contacto con su concesionario de servicio STIHL autorizado para obtener información sobre precios y disponibilidad.

25.2 STIHL HTA 160.0

- Tipos de batería aprobados:
 - Serie STIHL AP
 - Serie STIHL AR
- Peso sin batería: 15.2 lb (6.9 kg)

- Volumen máximo del tanque de aceite: 7.4 oz (0.22 l)

Si necesita información técnica sobre las baterías de las series AR y AP de STIHL, consulte la información de producto adjunta con su batería.

Si necesita información técnica sobre los cargadores de las series AL 101, 301, 301-4 y 500 de STIHL, consulte la información de producto adjunta con su cargador.

Las baterías, los cargadores y otros accesorios se venden por separado. Póngase en contacto con su concesionario de servicio STIHL autorizado para obtener información sobre precios y disponibilidad.

25.3 Piñones de cadena

Los piñones de cadena que figuran a continuación están disponibles para este modelo de podador de varilla:

- De 7 dientes para PICCO de 3/8" de paso

25.4 Profundidad de ranura mínima de las espadas

La profundidad de ranura mínima de una espada depende del paso de la misma.

- Profundidad mínima de ranura para espadas PICCO de 3/8" de paso: 0,197 in (5 mm)

25.5 Ajuste del calibrador de profundidad

El ajuste del calibrador de profundidad de una cadena de aserrado depende del paso de esta.

- Ajuste del calibrador de profundidad para cadenas PICCO de 3/8" in de paso: 0,026 in (0,65 mm)

25.6 Límites de temperatura ambiente



ADVERTENCIA

- Las temperaturas extremas pueden dañar la batería y provocar que esta genere calor, se rompa, pierda líquido, se incendie o explote, lo que podría causar lesiones personales graves o fatales y daños materiales. Nunca cargue, utilice o almacene la batería fuera de los límites de temperatura ambiente especificados a continuación.
 - No cargue la batería por debajo de - 4 °F (- 20 °C) ni por encima de 122 °F (50°C).
 - No utilice la podadora de pértiga ni la batería por debajo de - 4 °F (- 20 °C) ni por encima de 122 °F (50 °C).
 - No almacene la podadora de pértiga ni la batería por debajo de - 4 °F (- 20 °C) ni por encima de 158 °F (70 °C).

25.7 Recomendaciones de temperatura ambiente

Para un rendimiento óptimo, respete los siguientes rangos de temperatura ambiente para la podadora de pértiga y la batería:

- Carga: 41 °F a 104 °F (5 °C a 40 °C)
- Uso: de 14 °F a 104 °F (de - 10 °C a 40 °C)
- Almacenamiento: - 4 °F a 122 °F (- 20 °C a 50 °C)

Cargar, utilizar o almacenar la batería fuera de los rangos de temperatura ambiente recomendados puede reducir su rendimiento.

Si la batería se mojó o humedeció durante el funcionamiento, permita que se seque al menos 48 horas a temperaturas entre 59 °F (15 °C) y 122 °F (50 °C) y una humedad relativa por debajo de 70 % antes de cargarla o guardarla. Una humedad más alta puede prolongar el tiempo de secado.

25.8 Símbolos de la podadora de pértiga

Símbolo	Significado
V	Voltio
Hz	Hercio
A	Amperio
Ah	Amperio-hora
W	Vatio
Wh	Vatio-hora
CA	Corriente alterna

Símbolo	Significado
IPX4	Protección contra pulverización y salpicaduras de agua desde todas las direcciones.



Símbolo de encendido en el pestillo de retención.



Encaje la tuerca de sujeción



Desencaje la tuerca de sujeción



Depósito de aceite de la cadena



Sentido de giro de la cadena de sierra



Girar en sentido de las manecillas del reloj para tensar la cadena de sierra



Los productos STIHL no se deben desechar junto con la basura doméstica, sino de acuerdo con las leyes y normas locales, estatales y federales y como se especifica en este manual, **19** 29.



Corriente continua



Cantidad de celdas y energía acumulada de acuerdo con las especificaciones del fabricante de celdas. La cantidad de energía aprovechable será menor.



El sello RBRC indica que STIHL ha pagado por adelantado por el reciclaje de la batería.



Lea el manual

25.9 Mejoramientos técnicos

STIHL tiene la filosofía de mejorar continuamente todos sus productos. Como resultado de ello, periódicamente se introducen cambios de diseño y mejoras. Por lo tanto, es posible que algunos cambios, modificaciones y mejoras no se describan en este manual. Si las característi-

cas de funcionamiento o la apariencia de su máquina difieren de las descritas en este manual, comuníquese con el concesionario STIHL para obtener la ayuda que requiera.

25.10 FCC 15 Declaración de cumplimiento

Este dispositivo cumple con la parte 15 del Reglamento de la FCC.

El funcionamiento está sujeto a las siguientes dos condiciones:

- Este dispositivo no debe causar interferencias nocivas.
- Este dispositivo debe aceptar cualquier interferencia que reciba, incluidas las interferencias que pudieran causar un funcionamiento no deseado.

Nota: este equipo se ha sometido a pruebas, y se ha determinado que cumple los límites de los dispositivos digitales Categoría B, según la parte 15 del Reglamento de la FCC. Estos límites están diseñados para ofrecer protección razonable contra las interferencias nocivas en una instalación residencial. Este equipo genera, utiliza y puede irradiar energía de radiofrecuencia y, si no se instala y utiliza conforme a las presentes instrucciones, podría causar interferencias nocivas para las comunicaciones por radio. No obstante, no se ofrece garantía alguna de que la interferencia no ocurrirá en una instalación concreta. Si este equipo llegara a causar interferencias perjudiciales a la recepción de radio o televisión (se puede comprobar encendiendo y apagando el equipo), se le indica al usuario que intente corregir la interferencia tomando una o más de las medidas siguientes:

- Reorientar o cambiar la ubicación de la antena de recepción.
- Aumentar la separación entre el equipo y el receptor.
- Conectar el equipo a un tomacorriente ubicado en un circuito diferente del circuito al que está conectado el receptor.
- consulte a un concesionario de servicio STIHL autorizado o a un técnico de radio/TV experto para recibir ayuda.

No cambie ni modifique este producto en modo alguno a menos que se permita específicamente en este manual, puesto que al hacerlo podría anular su autoridad para usarlo.

26 Combinaciones de espadas y cadenas de aserrado

26.1 STIHL HTA 150.0, HTA 160.0

Paso	Groeso del eslabón impulsor/ ancho de la ranura	Largo	Espada	Número de dientes del piñón	Número de eslabones impulsores	Cadena de aserrado
3/8" P	0,043 in (1,1 mm)	10 pulg. (25 cm)	Rollomatic E / Light 04	7	39	61 PMM3 (tipo 3610)

Las barras guía mencionadas son barras guía de contragolpe reducido con etiqueta verde de STIHL. Las cadenas mencionadas son cadenas de bajo contragolpe con etiqueta verde de STIHL.

Puesto que existe la posibilidad de que se hayan desarrollado nuevas combinaciones de barra/cadena tras la publicación de este manual, le recomendamos que pregunte a su concesionario de servicio STIHL autorizado por las recomendaciones más recientes de STIHL.

27 Combinaciones de arnés aprobadas

27.1 Combinaciones de arnés

ADVERTENCIA

- El operador debe poder desenganchar el arnés rápidamente en caso de emergencia. Para reducir el riesgo de lesiones en caso de emergencia:
 - Practique el proceso de desenganchar y depositar la herramienta motorizada, como haría en caso de emergencia. Para evitar daños, no tire la herramienta motorizada al suelo cuando esté practicando.
 - Utilice sólo una de las opciones de arnés permitidas. No combine diferentes arneses u otras combinaciones de arneses cuando utilice su herramienta eléctrica.

Los siguientes arneses están disponibles para su podadora de pértiga:



Correa para el hombro



Cinturón para batería de STIHL ADVANCE X-Flex en combinación con el arnés forestal de STIHL ADVANCE X-TREEem HT y el cinturón flexible HT.



Arnés completo



Cinturón para batería STIHL con bolsa de batería de STIHL AP con cordón de conexión en combinación con la correa para el hombro



Cinturón para batería STIHL con bolsa de batería de STIHL AP con cordón de conexión en combinación con arnés para el hombro y almohadilla para la cadera



Batería tipo mochila STIHL AR en combinación con almohadilla para la cadera




Batería tipo mochila STIHL en combinación con almohadilla para la cadera



Arnés RTS (sólo HTA 160.0)

28 Piezas y equipos de repuesto

28.1 Piezas de repuesto originales de STIHL

STIHL recomienda el uso de piezas de repuesto originales de STIHL. Es posible identificar las piezas originales de STIHL por el número de pieza STIHL, el logotipo de **STIHL** y, en ciertos casos, el símbolo  de piezas STIHL. En las piezas pequeñas el símbolo puede aparecer solo.

29 Eliminación

29.1 Desecho de la herramienta motorizada

Los productos STIHL no se deben desechar junto con la basura del hogar, sino de la manera en que se detalla en este manual.

- ▶ Tome la herramienta motorizada y su empaque a un sitio aprobado para desecharla y que efectúe un reciclaje no dañino al medio ambiente.
- ▶ Comuníquese con un concesionario de servicio STIHL autorizado para obtener la información más actualizada sobre eliminación y reciclado.

29.2 Reciclado de las baterías



ADVERTENCIA

- Manipule las baterías descargadas/agotadas con cuidado. Aunque parezca que están descargadas, las baterías de ion de litio nunca se descargan completamente y pueden generar una corriente de cortocircuito peligrosa. Si se dañan o exponen a temperaturas extremas, pueden perder líquido, generar calor, incendiarse o explotar.
- ▶ Respete todas las leyes y normas federales, estatales y locales sobre eliminación de desechos.
- ▶ Comuníquese con un concesionario de servicio STIHL autorizado para obtener la información más actualizada acerca de la eliminación de desechos.
- ▶ Recicle las baterías agotadas rápidamente.
- ▶ Mantenga las baterías alejadas de los niños. No desarme el producto ni lo incinere.



STIHL está comprometida con el desarrollo de productos que protejan el medio ambiente. Este compromiso no termina cuando el producto sale del concesionario de servicio STIHL autorizado. STIHL se asoció con la RBRC (Corporación de Reciclaje de Baterías Recargables) para fomentar la recolección y el reciclado de baterías de ion de litio STIHL en los Estados Unidos y Canadá.

El sello de la RBRC indica que STIHL p90-ya aportó dinero para el reciclado de la batería. El sello de la RBRC lleva impreso un número telefónico gratuito (1-800-822-8837) que le permite acceder a información sobre lugares de reciclaje de baterías y prohibiciones o restricciones respecto del reciclado de baterías en su zona. También

puede devolver las baterías a cualquier concesionario de servicio STIHL autorizado para reciclarlas gratuitamente.

30 Garantía limitada

30.1 Política de garantía limitada de STIHL Incorporated

Este producto se vende sujeto a la Política de garantía limitada de STIHL Incorporated, disponible en www.stihlusa.com/warranty.html. También puede obtenerlo de un concesionario de servicio STIHL autorizado o llamando al 1-800-GO-STIHL (1-800-467-8445).



31 Marcas comerciales

31.1 Marcas comerciales registradas

STIHL®	FARM BOSS®
STIHL	iCademy®
GI	MAGNUM®
La combinación de colores anaranjado-gris (Registros en EE.UU. #2,821,860; #3,010,057, #3,010,058, #3,400,477; y #3,400,476)	MasterWrench Service®
AutoCut®	MotoMix®
YARD BOSS®	OILOMATIC®
STIHL ROLLOMATIC®	ROCK BOSS®
WOOD BOSS®	STIHL Cutquik®
	STIHL DUROMATIC®
	STIHL Quickstop®
	STIHL WOOD BOSS®
	TIMBERSPORTS®
	

31.2 Marcas comerciales por ley común

4-MIX™	HT Plus™
BioPlus™	STIHL PowerSweep™
Easy2Start™	STIHL Protech™
EasySpool™	STIHL MiniBoss™
ElastoStart™	STIHL MotoPlus 4™
Ematic™	Master Control Lever™
STIHL Precision Series™	STIHL OUTFITTERS™
FixCut™	STIHL PICCO™
Micro™	TrimCut™

Pro Mark™	STIHL M-Tronic™
Quad Power™	STIHL HomeScaper Series™
Quiet Line™	STIHL PolyCut™
STIHL Arctic™	STIHL RAPID™
STIHL Compact™	STIHL SuperCut™
STIHL Interchangeable Attachment Series™	STIHL Multi-Cut HomeScaper Series™
TapAction™	STIHL Territory™
	

Esta lista de marcas comerciales está sujeta a cambios.

Queda terminantemente prohibido todo uso de estas marcas comerciales sin el consentimiento expreso por escrito de ANDREAS STIHL AG & Co. KG, Waiblingen.

32 Direcciones

32.1 STIHL Incorporated

STIHL Incorporated
536 Viking Drive
P.O. Box 2015
Virginia Beach, VA
23452-2015

⚠ WARNING

This pole pruner and battery contain chemicals known to the State of California to cause cancer, birth defects or other reproductive harm.

⚠ ADVERTENCIA

Estos podador de varilla y esta batería contienen productos químicos considerados por el Estado de California como causantes de cáncer, defectos de nacimiento u otra toxicidad reproductora.



Instruction Manual
Manual de instrucciones



0458-038-8601-A

www.stihlusa.com



0458-038-8601-A